

The art of fire



RAIS[®]

RAIS[®] WOOD



CONTENT

WOOD STOVES

Caro	20
Pilar	24
Viva L	28
Nexo	36
Juno L	42
600 Max	44
Q-Tee 2	48

FIREPLACE INSERTS WITH SLIDING DOORS

Visio 1	62
Visio 2	63
Visio 3	64
Visio 3 Uniq	65
Visio 2:1	69
Visio 3:1	70
Visio 3:1 Uniq	71
Visio L	73

FIREPLACE INSERTS

500	78
600	82
600RD	84
600T	85

HOME DECOR

	86
--	----

ACCESSORIES

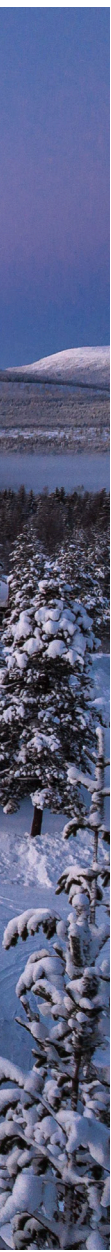
	92
--	----

SPECIFICATIONS

	98
--	----







THE ART OF CREATING BEAUTIFUL HOMES

At RAIS, we believe that architecture and good design create living spaces and everyday joy. We believe that the spaces we inhabit - and the way we heat them - impact our quality of life.

Therefore, design for us is not only about function and aesthetics. It is about setting the scene for the good life. For the small pleasures, for the big moments, and for everything that life is made of.

We invite you to explore our catalogue and discover unique homes where architecture and design, fire, light, and warmth merge seamlessly - creating a feeling of coming home.







reddot winner 2021
best of the best

EXCEPTIONAL CRAFTS- MANSHIP

Our history and design tradition extend back more than five decades. Back then, RAIS wood stoves were pioneering in functionality, technology, and design – and this still remains true today.

Our uncompromising vision to merge technology and design, quality, and craftsmanship, is what makes a RAIS stove truly special.

It is also what has earned us prestigious international design awards, including RED Dot Design Award.



reddot design award
winner 2017



WOOD STOVES





DESIGN THAT COMPLEMENTS THE ARCHITECTURE OF YOUR HOME

From the classic functionalism of the 1960s to today's sleek minimalism. From the bustling city residence to the tranquil cosiness of the summer cottage. At RAIS, you will find the perfect wood stove design that complements your home's architecture and interior style.





CREATE YOUR OWN DESIGN

It is the small details that bring personality and character to our homes. That is why we at RAIS allow you to customise your stove and create your own unique design, choosing freely from a wide range of design features – from colours to handles and heights.

Explore the many possibilities with our Customizer and see how your design looks before you make your choice.



RAIS[®]

CUSTOMIZER

CREATE YOUR OWN



1

STOVE

Choose from several heights and find a harmonious fit for your home's architecture.



3

HANDLE

Accentuate your style with a handle in leather, steel, or wood.



5

TOP PLATES

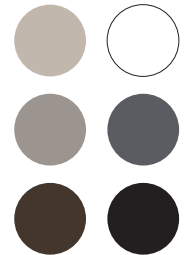
Choose from several top plates, classic or with a little edge.



2

COLOUR

From the warm tones of nature to classic black and white - choose from six timeless Nordic colours.



4

MATERIAL

Choose between steel or glass doors - between the raw and the elegant.



6

FLUE PIPES

Choose a flue pipe in the same colour as your stove to create a harmonious expression.





CLASSIC NORDIC TONES

Inspired by nature

The Nordic style - New Nordic - is clean, minimalist, and characterised by simple designs, muted colours, and quality materials. The style is rustic with wood, leather, and other natural materials, inspired by the harsh Scandinavian nature.

CUSTOMIZER

CREATE YOUR OWN





Merging aesthetics and design, function and technology, RAIS wood stoves are characterised by unique, functional details that ensure you the most optimal user experience.

Every detail is a small pioneering invention, ensuring that your RAIS stove utilises the firewood to its fullest, is easy to maintain and operate – and always offers a beautiful view of the fire.



CLOSING SYSTEM

Our specially developed stove door closing system has two closing hooks, ensuring a completely tight combustion chamber, and enabling optimal utilisation of the firewood. Additionally, the construction of the closing hooks ensures that the door always closes softly and discreetly.

FUNCTIONAL DETAILS



SWIVEL BASE

RAIS wood-burning stoves can be mounted on a swivel base, allowing the stove to rotate 360 degrees. The swivel base provides flexibility in your interior design and ensures that you can enjoy a beautiful view of the fire from anywhere in the room.



ADVANCED GLASS CONCEPT

Enjoy a beautiful view of the fire through clean, soot-free glass panes with our Advanced Glass Concept. By using coated glass or double-layered glass that reflects radiant heat, we ensure high temperatures in the combustion chamber, preventing soot build-up on the glass panes.

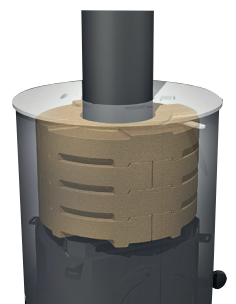
DAMPER SYSTEM

Our user-friendly damper systems are equipped with simple symbols that assist you in using the damper correctly and ensuring the right air supply. Rubber coating makes the damper lever comfortable to touch and operate, while the ball bearings reduce noise during operation. The ball bearings also ensure that you can easily feel whether the damper is in the middle position, closed, or fully open, making it easy and safe to operate.



HEAT-ACCUMULATING STONES

Reduce firewood consumption, utilise energy optimally, and create a comfortable room temperature with heat-accumulating stones. The stones store the combustion heat and gradually distribute it long after, the fire has gone out.





CLEAN & EFFICIENT COMBUSTION

Choose your RAIS wood stove with either manual control of air supply or with one of our specially developed air systems - CleverAir or ElectronicAir. The two systems ensure automatic - either mechanical or electronic - air supply to the stove's combustion. With automatic regulation of the air supply, you ensure that the air supply is always optimal, achieving as clean and efficient combustion as possible.



CleverAir



ElectronicAir



RAIS CARO



RAIS PILAR



RAIS VIVA L



RAIS JUNO L





RAIS NEXO



NEXO 100 NEXO 120 NEXO 140 NEXO 160 NEXO 185



RAIS 600 MAX



600 MAX 1 BOX 600-3 MAX 2 BOXE 600-3 MAX 3 BOXE



RAIS Q-TEE 2



Q-TEE 2 Q-TEE 2 LEGS LOW Q-TEE 2 LEGS HIGH Q-TEE 2 BASE LOW Q-TEE 2 BASE HIGH



RAIS Q-TEE 2 C



Q-TEE 2 C Q-TEE 2 C LEGS LOW Q-TEE 2 C LEGS HIGH Q-TEE 2 C BASE LOW Q-TEE 2 C BASE HIGH Q-TEE 2 C SST

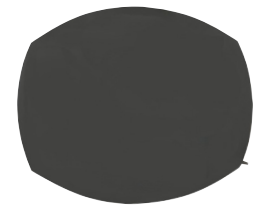




RAIS CARO 130



RAIS CARO 110



CUSTOMIZER
CREATE YOUR OWN

RAIS CARO

RAIS Caro is lightweight, and elegant in its expression, you get the ultimate wood stove experience with a beautiful view of the flames, efficient heating, and a wide range of exciting options to create your own design - from colours to handles and side glass. Caro is the perfect choice for smaller spaces where it is necessary to prioritise space, perhaps for the summer cottage.

Also available in natural gas and LPG gas.



RAIS CARO SST

RAIS CARO SST

Caro SST is a variant of RAIS Caro clad with soapstone, which combines the raw beauty of nature with a practical, heat-accumulating function. The soapstone creates a raw, rustic look and an extraordinary aesthetic contrast to the stove's lightweight, elegant design, while also accumulating the stove's heat and ensuring that the stove temperature remains above room temperature for 4-5 hours.

Choose stones, colours, and other details to create a design that matches your home style and decor.

CUSTOMIZER
CREATE YOUR OWN

RAIS CARO PORTO STONE



RAIS CARO PORTO STONE





RAIS PILAR

With its nearly two-metre-tall silhouette, RAIS Pilar presents itself as an impressive sculpture in any room; a focal point that combines simple elegance with striking edge and character. The immense combustion chamber and the large, beautifully curved glass create a unique visual experience of the flames, enhancing Pilar's powerful expression.

Available with either manual damper, with CleverAir, or with ElectronicAir, where the air supply is controlled by remote control.



CUSTOMIZER
CREATE YOUR OWN





A SCULPTURE IN THE ROOM

In a unique location in the city surrounded by forest and trees lies a home with large windows, high ceilings, and a sense of space beyond the ordinary. Here, the nearly two-metre-tall RAIS Pilar truly comes into its own, standing as a sculptural focal point in the living room. The stove's beautiful colour - Mocca - is the perfect match for the mahogany window frames and the colours of nature outside.







reddot design award
winner 2017

RAIS VIVA L 120



CUSTOMIZER
CREATE YOUR OWN

RAIS VIVA L

With its soft, organic design, beautifully curved door, and circular handle, RAIS Viva L stands as a counterpoint to the more streamlined, cubic wood stove designs. It spreads ambience and cosiness into every corner and creates a warm contrast to a sleek and minimalist decor.

Also available in natural gas and LPG gas.





RAIS VIVA L 100







RAIS VIVA L 140



RAIS VIVA L WITH BAKING COMPARTMENT



In a newly built summer house on the island of Læsø, Denmark, RAIS Nexo 100 is a central focal point when the weather shows its teeth outside. Nexo's beautiful, straightforward design harmonises seamlessly with the house's minimalist, Nordic-inspired architecture. Featuring glass on three sides, the family living here can enjoy a beautiful view of the fire from any location in the house's open-plan kitchen-living room.





NEXO ON LÆSØ







RAIS NEXO 100

RAIS NEXO

With its clean, straight lines and angular design, RAIS Nexo reflects the contemporary cubic architecture and construction style, making it the perfect choice for the modern functionalist villa or bungalow.

Design your own Nexo and choose the colour and design details that complement the style of your home.

Also available in natural gas and LPG gas.

CUSTOMIZER
CREATE YOUR OWN



RAIS NEXO 160



RAIS NEXO WITH WOOD COMPARTMENT





DIFFERENT HANDLES





RAIS NEXO 185



RAIS NEXO 140





RAIS JUNO L 160 PORTO

RAIS JUNO L

Bring nature's materials and warmth into your interior design with RAIS Juno L, clad in beautiful Porto natural stone or soapstone. The stones vary in nature's own unique patterns and colours, giving the stove a lively, rustic expression.

Additionally, the stones ensure superior heat comfort and efficiency by accumulating and gradually releasing the heat from the stove, maintaining a stove temperature above room temperature for 10-12 hours.

CUSTOMIZER
CREATE YOUR OWN



RAIS JUNO L 160 SST



RAIS JUNO L 120 SST



RAIS 600-3 MAX

600 MAX

600 MAX is the epitome of excellent design - both functionally and aesthetically. The large front and side glass panels provide an impressive view of the flames, while the practical, silent drawer beneath the combustion chamber offers discreet storage for firewood.

Create your own unique design by combining the stove with a heat storage module or with one or more multiboxes, transforming your 600 MAX into a stylish, multifunctional piece of furniture.

CUSTOMIZER
CREATE YOUR OWN





RAIS 600-3 MAX



RAIS 600-2 MAX



reddot winner 2021
best of the best



ARCHITECTURE FROM THE 1970S

In an architect-designed home from 1978 by Danish architects Friis and Moltke, brimming with characteristic 70s style, the new owners have installed a 600 MAX.

The new wood stove replaces an original RAIS 1, which the home was originally built with. The new stove stylistically matches the expression of the RAIS 1 and fully complements the home's unique style, but of course, it has significantly improved combustion and glass on three sides, giving the stove a lighter, more elegant, and contemporary expression.





RAIS Q-TEE 2 WITH LEGS



RAIS Q-TEE 2

Whether you prefer a classic interior style or lean towards the modern and minimalist, the simple, multifunctional RAIS Q-Tee 2 can be customised to your taste with a few design options. Choose the model with legs to give the stove an elegant, classic look, or place it on a rectangular base for firewood storage to create a cubic, modern experience.

Choose between legs and bases in two heights.

Also available in natural gas and LPG gas.





RAIS Q-TEE 2 C W/BASE

CUSTOMIZER
CREATE YOUR OWN



RAIS Q-TEE 2 C W/LEGS

RAIS Q-TEE 2 C

With its soft, organic design and beautifully curved front and sides, RAIS Q-TEE 2 C creates an exciting contrast to the clean, straight lines of modern architecture, adding cosiness and warmth to interior design.

Choose between legs or base and create your very own design - from classic to modern. Add soapstone to create a lively, rustic expression in beautiful grey shades and achieve superior heat comfort.

Also available as gas stove.





MULTIBOXES TO NEXO



MULTIBOX TO VIVA L

MORE THAN A WOOD STOVE

Transform your wood stove into a unique, multifunctional piece of furniture by adding one or more multiboxes to your design. Combine your wood stove with multiboxes exactly as you prefer and design a bench, a shelf, or storage for firewood.

Multiboxes are available for Nexo, Viva L, Q-Tee 2, and 600 MAX.



MULTIBOXES TO 600 MAX



LIGHT & WARMTH

Cabin life in the Norwegian mountains takes on a new dimension in the modern, Nordic-style cabins designed by the Norwegian firm Neohytter. Although the architecture and interior design are far from the traditional Norwegian mountain cabin, cosiness and spending time together are still at the heart of cabin life. The cabins are all furnished with RAIS wood stoves or fireplace inserts, bringing families together after long days in the snow and providing plenty of light and warmth during the cold winter months.





FIREPLACE INSERTS WITH SLIDING DOORS

PERFECT HARMONY BETWEEN FORM AND FUNCTION

RAIS fireplace inserts with sliding doors combine stylish design and exceptional functionality in one. Behind the simple, clean expression lies a well-considered detail: the door slides up and disappears when opened. A unique feature that creates perfect harmony between form and function.





RAIS VISIO



VISIO 1



VISIO 2 LC/RC



VISIO 3



VISIO 3 UNIQ



RAIS VISIO 2:1



VISIO 2:1



RAIS VISIO 3:1



VISIO 3:1



VISIO 3:1 UNIQ



RAIS VISIO L



VISIO 2 L



VISIO 3 L

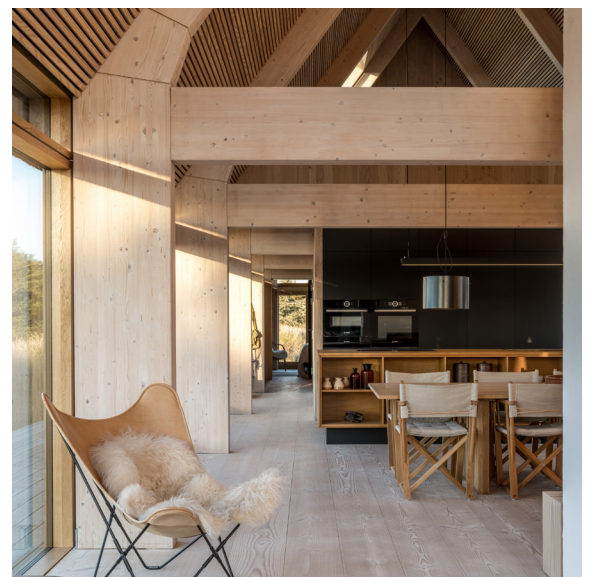


HIGH CEILINGS



In the unique nature of Skagen at the northernmost tip of Denmark, you will find an extraordinary summer house that stands out with its high ceilings, large open spaces, and glass partitions that invite nature and the elements indoors. In the centre of the house, a Visio 2:1 has been installed, which with its modern design and view of the fire from two sides adds a distinctive touch to the space that is hard to find elsewhere.

The summer residence is designed by PAX Architects.





RAIS VISIO

FREEDOM TO CHOOSE

Visio fireplace inserts allow you to unleash your creativity and decorate and design your home exactly as you want, with the fire as the ultimate centrepiece.





A FUSION OF FIRE & ARCHITECTURE

With our series of exclusive Visio inserts, you have the freedom to integrate the fire as a beautiful and central element in your home's architecture.

Use your insert as a room divider, enjoy the fire in two different rooms, or build a unique fireplace with prefabricated concrete elements.

Choose from seven models and a range of unique design details - such as height and width, various frames and handles, and glass on one, two, or three sides - and find the insert that perfectly suits your home.

Also available in natural gas and LPG gas.



RAIS VISIO 1

Visio 1 stands out in all its elegant simplicity with a very narrow, discreet frame in black or stainless steel, surrounding the large glass pane and placing the fire at the absolute centre of attention.





RAIS VISIO 2

With glass on two sides, Visio 2 is designed for corner installation. The model opens up a myriad of exciting architectural solutions where the fire becomes an integrated element in your home.



RAIS VISIO 3

RAIS VISIO 3 UNIQ



With glass on three sides, Visio 3 provides an unparalleled view of the flames. Design and craft a mounting frame for your insert using light blocks of raw concrete, creating a completely unique expression that elevates your home's architecture and interior design.

Visio 3 Uniq sets itself apart with its frameless design that gives the fireplace insert a contemporary, sleek aesthetic, while ensuring that the flames remain the absolute focal point.



RAIS VISIO 3 UNIQ





A TRUE CENTREPIECE

Framed by large windows offering panoramic views of the surrounding nature, and with built-in benches on each side, RAIS Visio 3 stands out as a central focal point in the living room and as a fully integrated part of the home's architecture.

With glass on three sides, you can enjoy the fire no matter where you are in the spacious, bright, and high-ceilinged room.







RAIS VISIO 2:1

Visio 2:1 is a double-sided tunnel fireplace insert with a sleek, stylish design, wide-format glass windows, and doors on both sides, allowing you to enjoy the fireplace ambience in two rooms.



RAIS VISIO 3:1





RAIS VISIO 3:1 UNIQ

Visio 3:1 is designed with extra depth, featuring wide glass panels on each side and a narrower one at the end. It is intended for corner installation and serves effectively as a room divider. With its simple, sleek design, it offers an uninterrupted view of the fire from all sides.

Visio 3:1 Uniq stands out with a distinctive detail: the lower frame is discreetly hidden, giving the insert an elegant visual appearance as if it has no frame at the bottom.





RAIS VISIO 3 L

DESIGN WITH FIRE AT THE CENTRE

Our fascination with fire is our driving force, and we strive to create simple, elegant designs where the flames take centre stage. For us, fire is the most important design element and therefore, we frame it with clean lines, sleek designs, and, above all, the finest materials.



RAIS VISIO 3 L

RAIS VISIO L

With exceptionally large glass panes, RAIS Visio L creates an extraordinary experience of the fire and a completely unique feeling of an open fireplace. The discreet frame is barely noticeable and underscores the insert's sleek and elegant expression.



RAIS VISIO 2 L



FIRE, HEAT & ARCHITECTURE

RAIS fireplace inserts offer a wealth of creative, architectural options for integrating fire, warmth, cosiness, and ambience, in both existing fireplaces in your home and in new constructions. Choose between glass or steel frames, glass on one, two, or three sides, and right- or left-facing models, and find the exact expression that completes your home's architecture.



FIREPLACE INSERTS





RAIS 500



500¹



500² LC/RC



500³



RAIS 600



600¹



600² LC/RC



600³



600RD



600T





RAIS 500³



RAIS 500

RAIS 500 is a classic, timeless, and compact insert, perfect for smaller rooms and homes and for installation in existing fireplaces as well as for new constructions.

With glass on one, two, or three sides, RAIS 500 is a flexible insert that offers several different installation options – from corners to classic wall installation – allowing you to enjoy the fire from multiple angles in your home.

RAIS 500² LC





RØRVIG MOMENTS



In the deep quiet of the forest near Rørvig on the island of Zealand, Denmark, you will find a dream of a summer house with everything the heart desires – high ceilings, cosy alcoves, an outdoor shower, lovely nooks for enjoying life both indoors and out, and notably, a RAIS 600 with glass on three sides, creating a warm, cosy ambience year-round. It took the family three years to design their dream house, which now embodies the quintessence of a cosy Danish summer retreat.





more
false
agency



RAIS 600¹

RAIS 600

With large glass panels on one, two, or three sides, RAIS 600 creates an illusion of an open fireplace and offers a truly unique experience of the fire. The almost cubic design in black steel forms an elegant frame around the fire and gives the insert its own distinctive expression, perfect for contemporary home interiors.



RAIS 600³



RAIS 600² RC





RAIS 600 RD

RAIS 600 RD is perfect for room division and dividing spaces into multiple zones, offering a fascinating view of the fire through large glass panels on three sides. The insert does not require much vertical space, and therefore opens up a wide range of installation options where the fire serves as a central focal point and design element in your home.





RAIS 600T

RAIS 600 T is a tunnel fireplace insert with glass on two sides for installation between two rooms or as a room divider in a large space with multiple zones. The expansive glass panes on both sides create an illusion of openness and connection between the rooms, allowing you to enjoy a unique visual experience of the flames from two spaces.





HOME DECOR



For wall

For floor

TETRA

Three-piece fireplace tool set in steel, iron, and concrete. For wall mounting or floor use. Handles available in stainless steel or leather.



WOOD RACK



Sculptural and multifunctional rack with two or three compartments for wood storage. Rotate it as you prefer and use it either as a rack or bench.





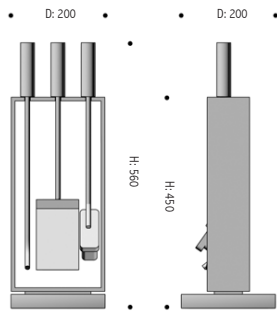
WOODWALL

Wall-mounted firewood storage in a simple, well-thought-out design. Choose between two sizes, with or without a back panel, and in black or white.

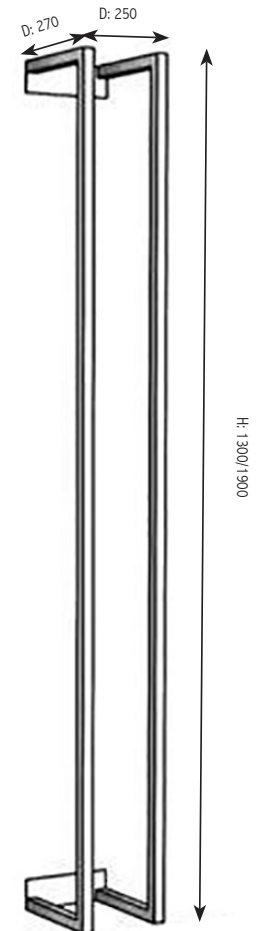




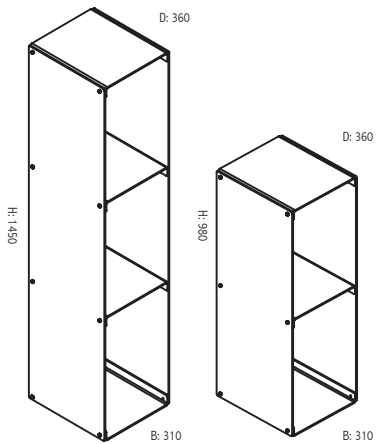
RAIS TETRA



RAIS WOODWALL



RAIS WOODRACK

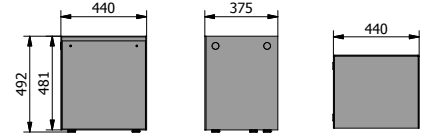
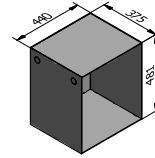


SPECIFICATIONS MULTIBOX

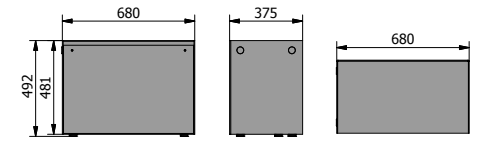
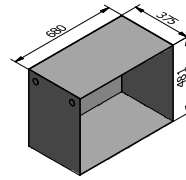


NEXO

Small module

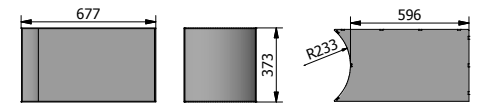
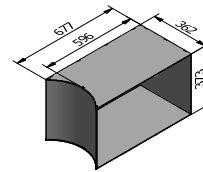


Large module



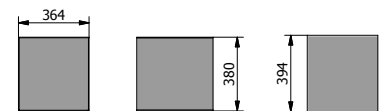
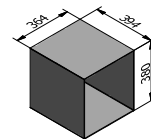
VIVA L

Side module

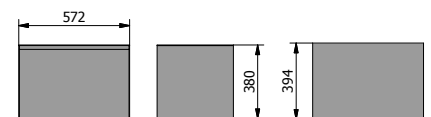
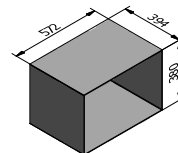


Q-TEE 2

High module

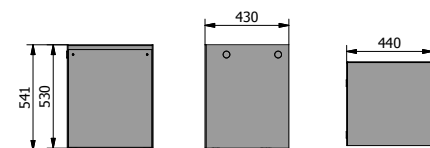
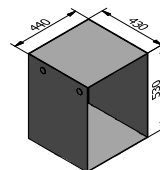


Wide module

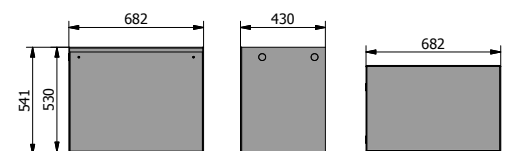
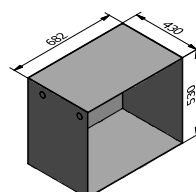


600 MAX

Small module



Large module





ACCESSORIES

CARING FOR THE DETAILS

Do you refuse to compromise when it comes to function and aesthetics, quality, and efficiency? Upgrade your wood stove with our wide range of accessories. Choose flue pipes in the same colour as the stove itself to create a harmonious visual expression and choose the Airsystem and Airkit to ensure an optimal combustion.



FLUE PIPES

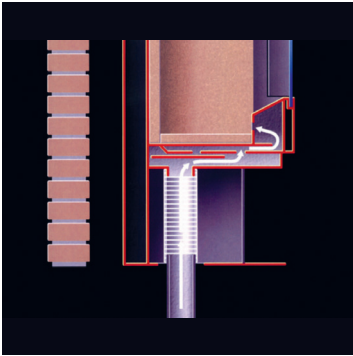
Flue pipes from RAIS are available in the same selection of elegant Nordic colours as our wood stoves. Choose a flue pipe in the same colour as your stove to create a beautiful and cohesive impression.

Our flue pipes are meticulously crafted, featuring nearly imperceptible seams and a slimmer circumference compared to other flue pipes on the market. These are all details that exemplify our uncompromising dedication to craftsmanship and design.

FLOOR PLATES



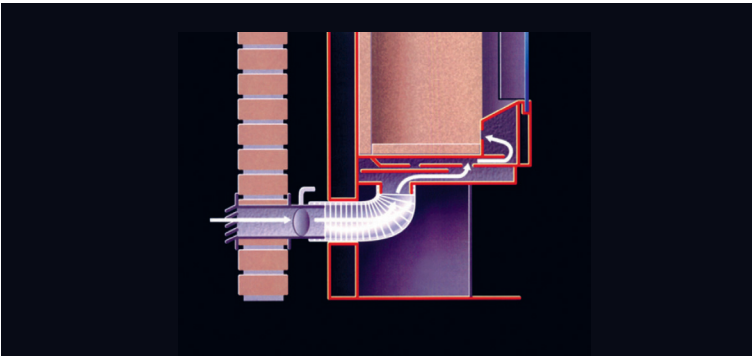
Protect your floor with a practical and discreet floor plate in tempered glass, designed to fit the shape of the stove. The plate is easy to install, as it sits loosely on the floor and simply slides in place against the stove. When it is time for cleaning, you can quickly and easily remove it to clean both the floor and the plate.



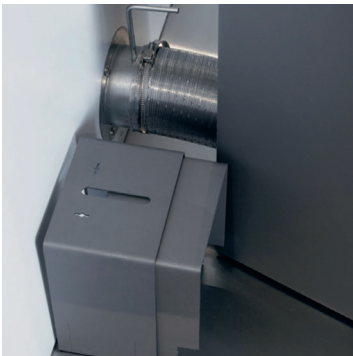
Air supply through floor



AirKit between floor and stove



Air supply through rear wall



AirKit between wall and stove



Shield and damper behind stove

AIRSYSTEM & AIRKIT

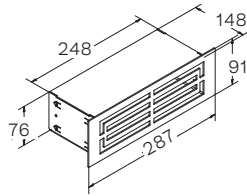
RAIS AirSystem is a fresh-air system developed specifically for newer and well-insulated homes. The system brings fresh air from the outside directly into the wood stove to ensure an optimal combustion and a good indoor climate. The AirSystem is easy to install with our Airkit, which includes everything needed for a correct and discreet installation.





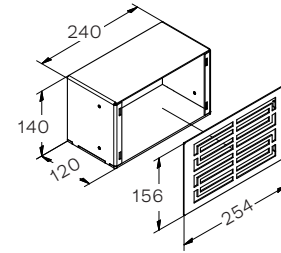
COMPACT

Convection area: 74 cm²



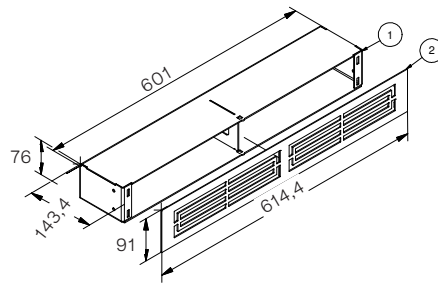
COMPACT HIGH

Convection area: 140 cm²



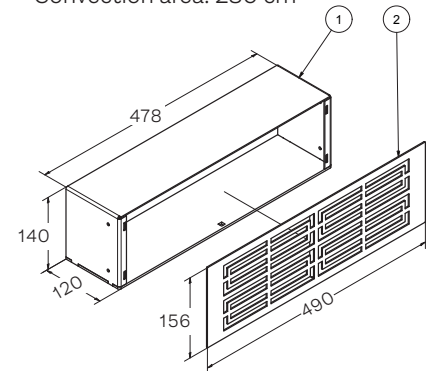
REGULAR

Convection area: 186 cm²



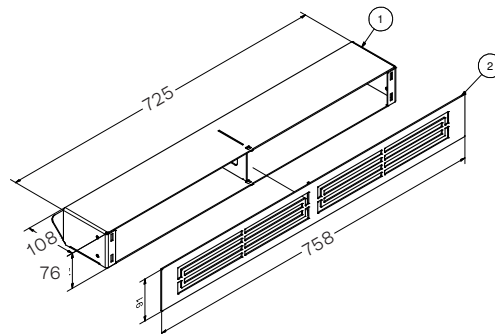
REGULAR HIGH

Convection area: 280 cm²



LARGE

Convection area: 231 cm²



CONVECTION GRATES

Convection grates utilise and distribute the heat from your fireplace insert. You can choose a convection grate for installation either above or below your insert. Choose the convection grate that delivers the best performance for your insert and ensures the greatest heat comfort.



Advanced Glass Concept®

ENJOY THE FIRE THROUGH CLEAN, SOOT-FREE GLASS PANELS

For us, the fire is the central element of every wood stove and that is why, we focus on creating the most beautiful flame pictures through completely clean, soot-free glass panels. We do this by testing each wood stove to find exactly the glass panels that create the most beautiful experience of the fire. Consequently, the type of glass can vary from wood stove to wood stove.

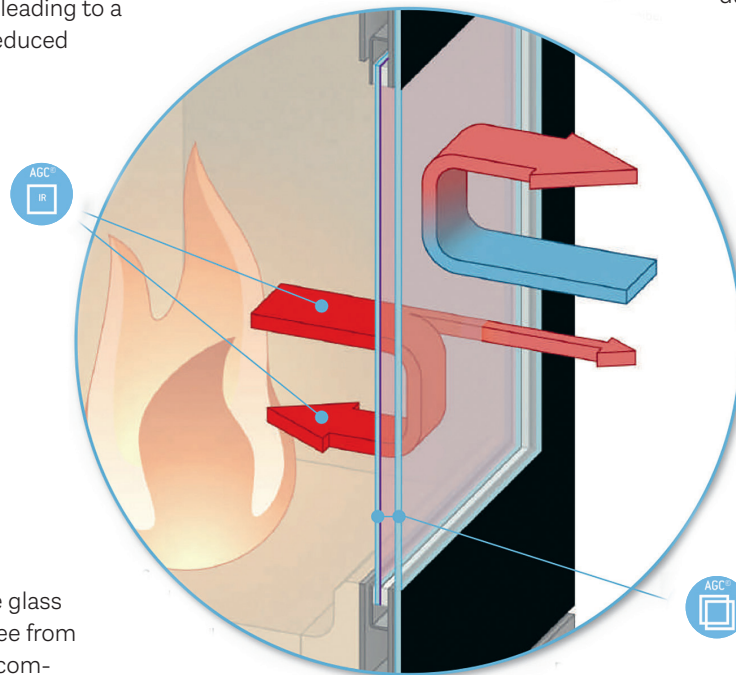
Our glass types include double glazing, self-cleaning glass, and infrared coatings, and we only use the best ceramic glass on the market.

INFRARED COATING

Glass panes with infrared coating reflect seven times as much heat radiation back into the combustion chamber. This raises the combustion temperature, leading to a more efficient and cleaner combustion, reduced firewood consumption – and not least, beautiful flames.

RADIANT HEAT

A pleasant living space temperature is guaranteed due to moderate radiant heat - even from stoves with large glass panels.



SELF-CLEANING GLASS

Our advanced cleaning system cleans the glass panels from the inside and keeps them free from soot by continuously sending preheated combustion air through the combustion chamber

DOUBLE GLAZING

Double glazing reduces heat radiation and prevents modern low-energy buildings and passive houses from overheating.

PICTOGRAM FOR AGC:



Glass panes with double glazing and infrared coating



Glass panes with double glazing



Glass panes with infrared coating



Single-layered glass panes

ELECTRONICAIR



ELECTRONICAIR – SIMPLY EXPLAINED

ElectronicAir is an electronic damper system that automatically regulates the airflow to the combustion chamber to ensure a perfect combustion. The damper operates using sensors that measure the temperature on the outside of the combustion chamber as well as the temperature of the flue gas in the flue pipe. This means that when the stove is hot, the damper is almost closed, but if you open the door to add new firewood, the damper automatically opens for about 40 seconds to ensure quick ignition of the wood.

ElectronicAir comes with a remote control, allowing you to manually regulate the air supply under special circumstances, for example, during stormy weather



CLEVERAIR

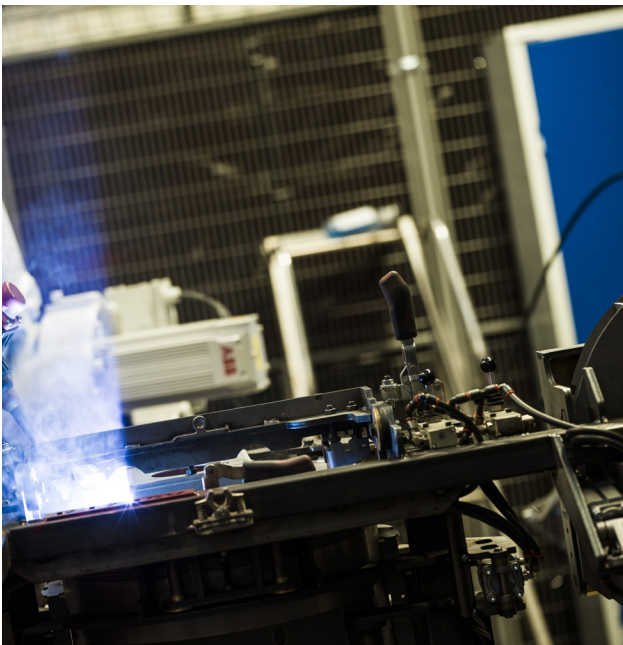


CLEVERAIR FOR EASY OPERATION

CleverAir is an automatic damper system that regulates the air supply to your wood stove. All you need to do is light the fire. Afterwards, the patented CleverAir system controls the airflow, ensuring an efficient, economical, and clean combustion.

The technology is based on heat-sensitive bimetal components. The bimetal expands and contracts depending on the stove temperature, serving as a regulator for the air supply to the combustion.





SPECIFICATIONS

Our specifications include all the data you need to choose your new wood stove or insert, including dimensions, output, and particle emissions. Please note, that the information and data provided is for guidance only.

Before installing your wood stove, you should thoroughly read the stove's manual and carefully follow the recommendations specific to your stove. Also, be aware that you are obligated to comply with the legislation regarding the installation and use of wood stoves.

Our ongoing technical development means that changes in specifications, colours, and equipment may occur. Furthermore, we reserve the right to update the information and correct errors in the text, data, and photos at any time.



RAIS CARO 90

TECHNICAL DATA:

DIMENSIONS (W-D-H)

Combustion chamber's int. dim.	352-225-442 mm
Flue exit (diameter)	Ø150 mm

KEY FIGURES

Output (Nominal)	5 kW
Heat (at 20 degrees)	45-105 m ²
Efficiency	80 %

WEIGHT	116 kg
--------	--------

A

WITHOUT SIDE GLASS



WITH SIDEGLASS



Front glass



Side glass

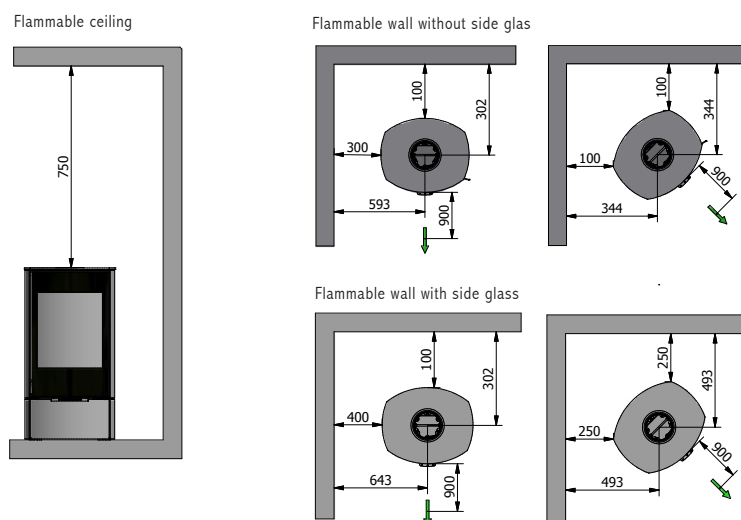
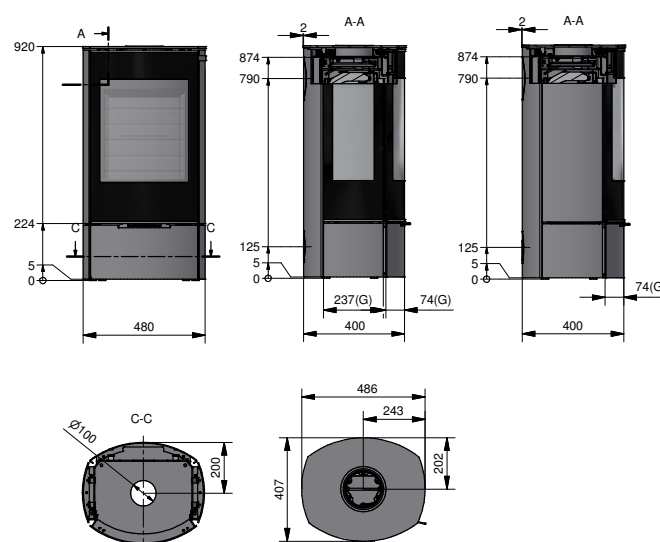
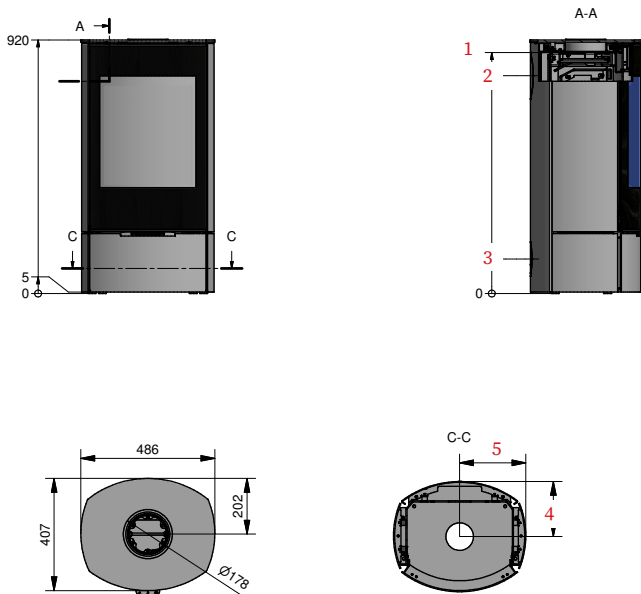
DISTANCES

All dimensions are stove dimensions with adjustable feet.

Adjustment of with set screws or rotary base, will affect the height.

Distance dimensions to flammable wall with insulated chimney are stated in brackets.

- 1 - Distance to flue exit top
- 2 - Distance to flue exit back
- 3 - Distance to air supply back
- 4 - Distance to air supply floor
- 5 - Distance to air supply floor from side



DETAILS FOR SPECIFICATIONS

"Green arrow" = Set-up direction and distance to furniture

Distance to flammable material with usage of swivel base = furnishing distance

All measures marked with 'G' = dimensions of the glass/glass measure



RAIS CARO 110

TECHNICAL DATA:

DIMENSIONS (W-D-H)

Combustion chamber's int. dim.	352-225-442 mm
Flue exit (diameter)	Ø150 mm

KEY FIGURES

Output (Nominal)	5 kW
Heat (at 20 degrees)	45-105 m ²
Efficiency	80 %

WEIGHT	131 kg
--------	--------



WITHOUT SIDE GLASS



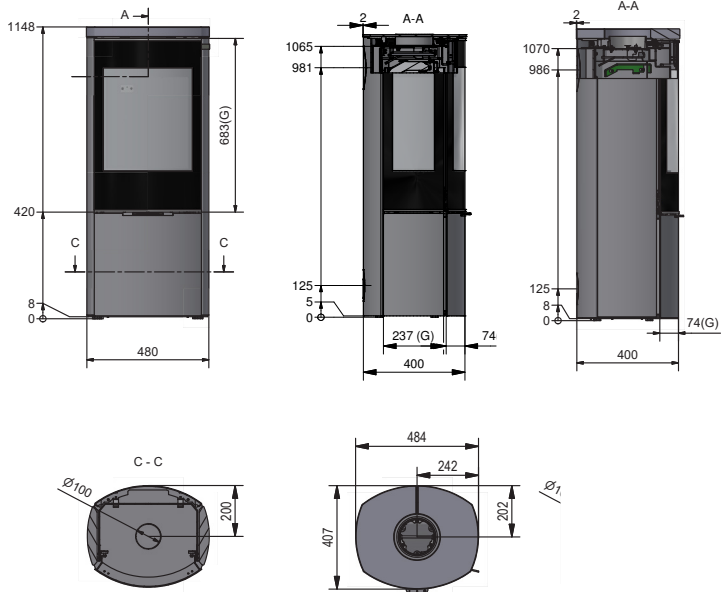
WITH SIDE GLASS



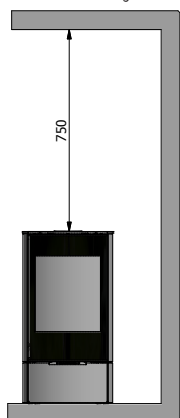
Front glass



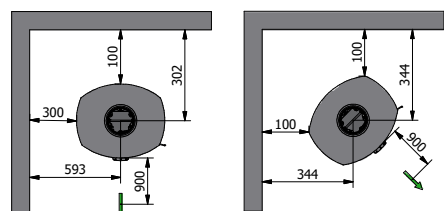
Side glass



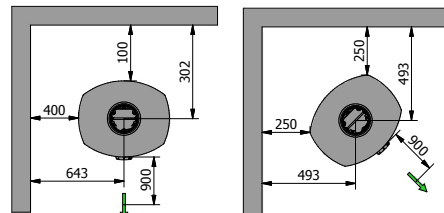
Flammable ceiling



Flammable wall without side glass



Flammable wall with side glass



RAIS CARO 130

TECHNICAL DATA:

DIMENSIONS (W-D-H)

Combustion chamber's int. dim.	352-225-442 mm
Flue exit (diameter)	Ø150 mm

KEY FIGURES

Output (Nominal)	5 kW
Heat (at 20 degrees)	45-105 m ²
Efficiency	80 %

WEIGHT	145 kg
--------	--------

Heat-accumulating stones – 4 pcs.



WITHOUT SIDE GLASS



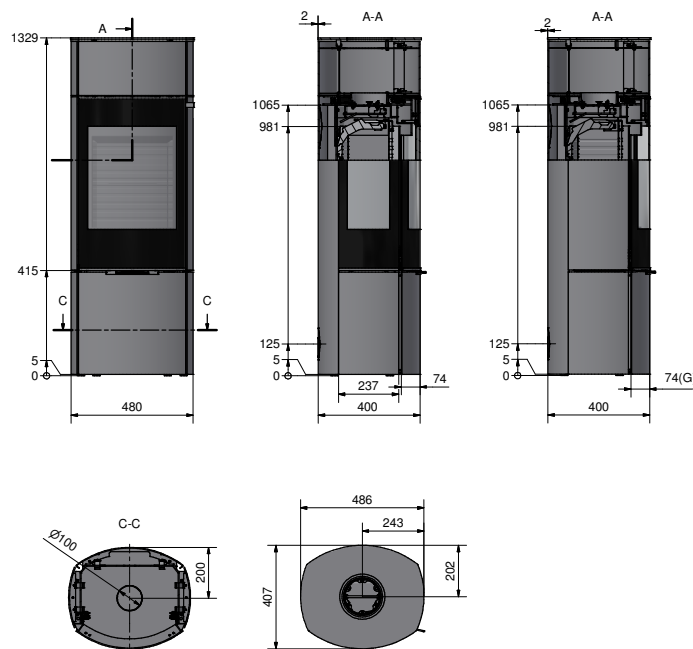
WITH SIDE GLASS



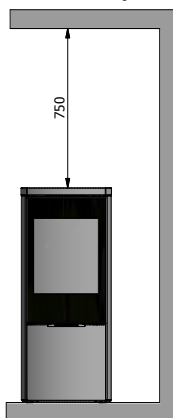
Front glass



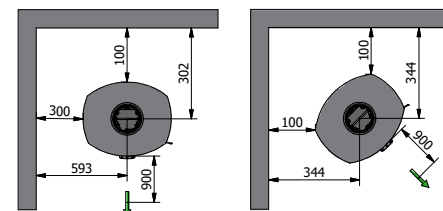
Side glass



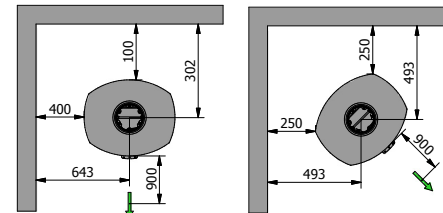
Flammable ceiling



Flammable wall without side glass



Flammable wall with side glass



RAIS CARO SST / PORTO STONE

TECHNICAL DATA:

DIMENSIONS (W-D-H)

Combustion chamber's int. dim.	352-225-442 mm
Flue exit (diameter)	Ø150 mm

KEY FIGURES

Output (Nominal)	5 kW
Heat (at 20 degrees)	45-105 m ²
Efficiency	80 %

WEIGHT	SST/182 - Porto 164 kg
--------	------------------------



WITHOUT SIDE GLASS



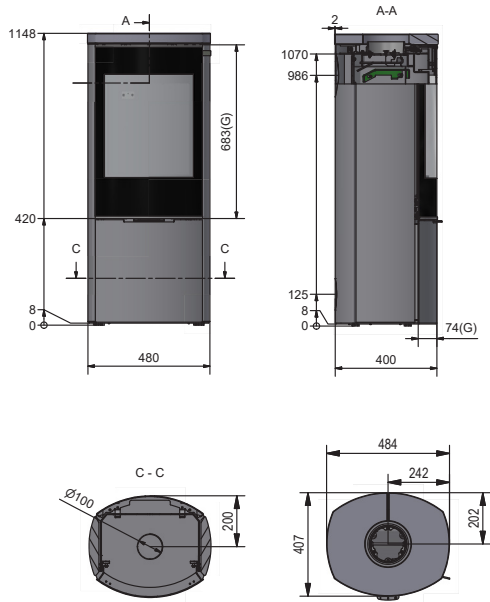
WITH SIDE GLASS



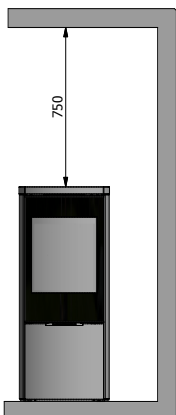
Front glass



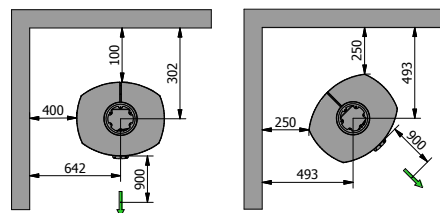
Side glass



Flammable ceiling



Flammable wall



RAIS PILAR



TECHNICAL DATA:

DIMENSIONS (W-D-H)

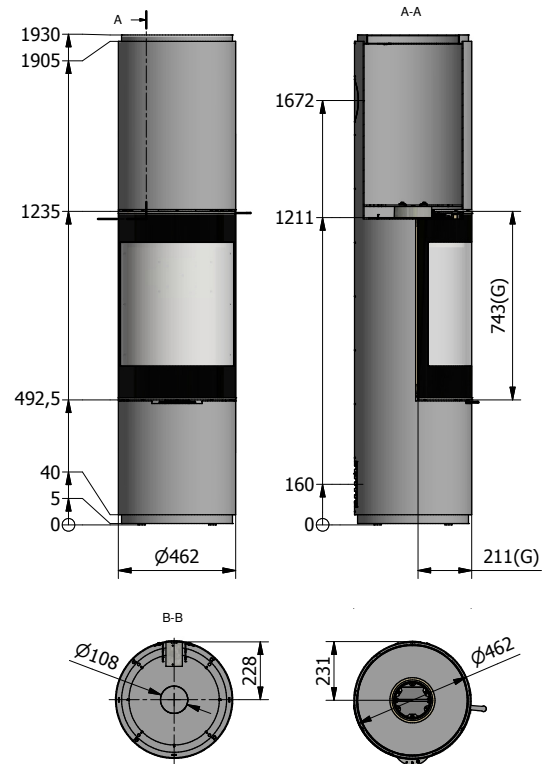
Combustion chamber's int. dim.	352-287-547 mm
Flue exit (diameter)	Ø150 mm

KEY FIGURES

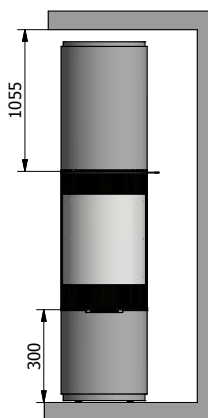
Output (Nominal)	4,5 kW
Heat (at 20 degrees)	40-130 m ²
Efficiency	81 %

WEIGHT	134 kg
--------	--------

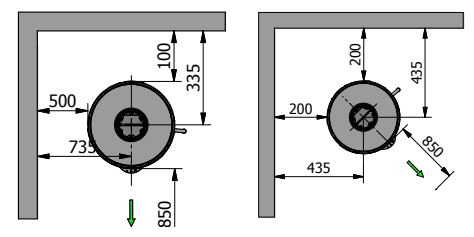
Heat-accumulating stones	120 kg
--------------------------	--------



Flammable ceiling



Flammable wall



Distance to rotate base = distance to furniture

RAIS VIVA L



TECHNICAL DATA:

DIMENSIONS (W-D-H)

Combustion chamber's int. dim.	352-292-446 mm
Flue exit (diameter)	Ø150 mm

KEY FIGURES

Output (Nominal)	4,8 kW
Heat (at 20 degrees)	45-105 m ²
Efficiency	80 %

WEIGHT	121/126/131/148 kg
Heat-accumulating stones	X/24/48/96 kg

A

WITHOUT SIDE GLASS



WITH SIDE GLASS

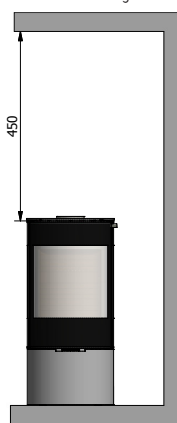


Front glass

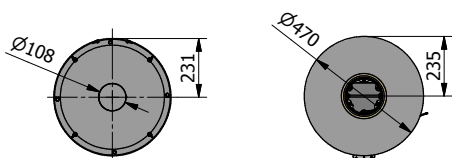
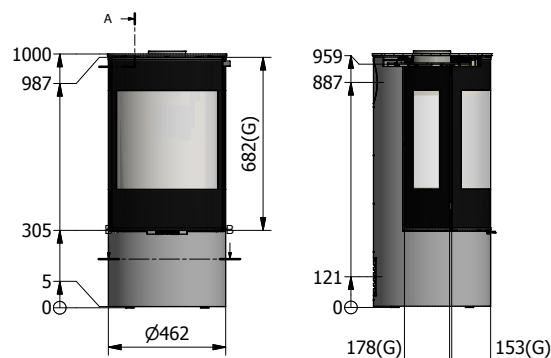


Side glass

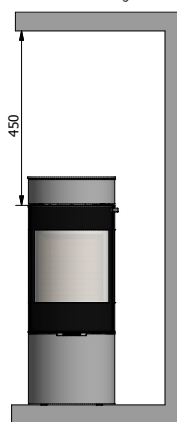
Flammable ceiling



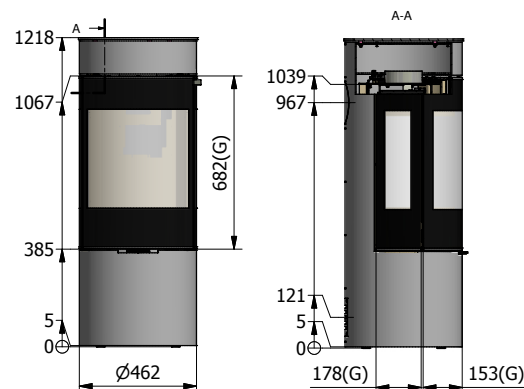
VIVA L 100



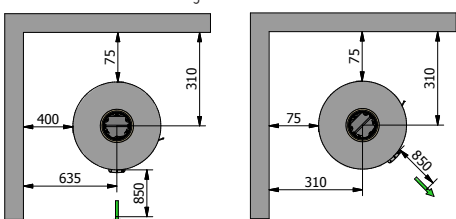
Flammable ceiling



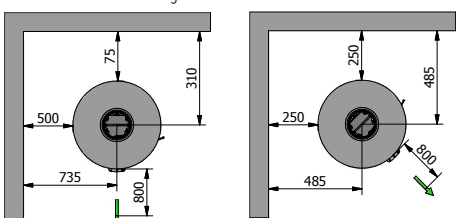
VIVA L 120



Flammable wall without side glass

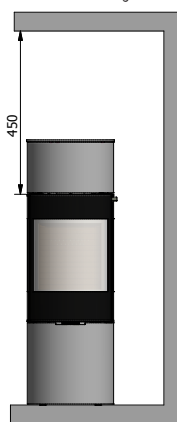


Flammable wall with side glass

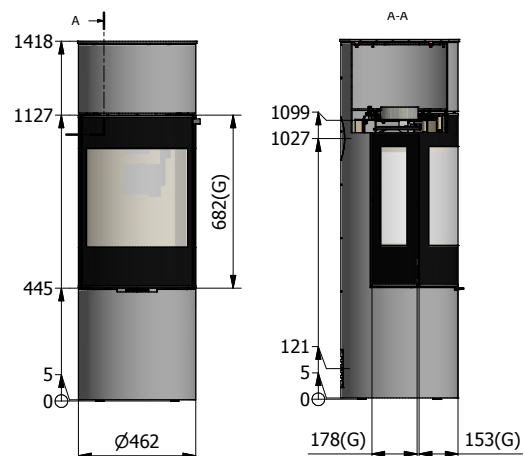


Distance to rotate base = distance to furniture

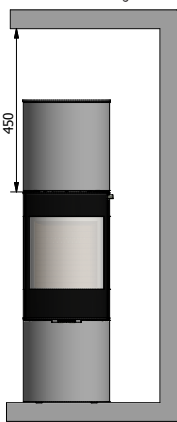
Flammable ceiling



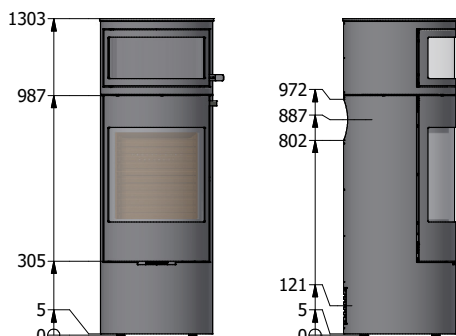
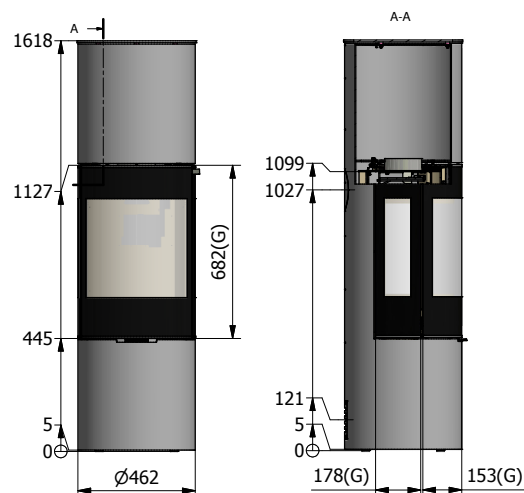
VIVA L 140



Flammable ceiling



VIVA L 160



VIVA L BC



(pending)

RAIS NEXO



TECHNICAL DATA:

DIMENSIONS (W-D-H)

Combustion chamber's int. dim.	344-254-510 mm
Flue exit (diameter)	Ø150 mm

KEY FIGURES

Output (Nominal)	5 kW
Heat (at 20 degrees)	45-105 m ²
Efficiency	80 %

WEIGHT	140/155/170/180/194 kg
Heat-accumulating stones	XX/36/72/120 kg

A

DOOR WITH GLAS



DOOR WITH STEEL FRAME



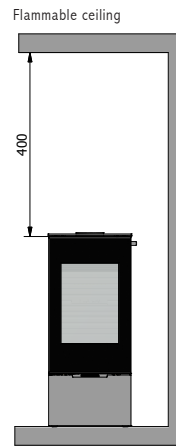
WITH SIDE GLAS



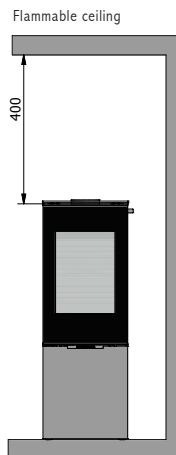
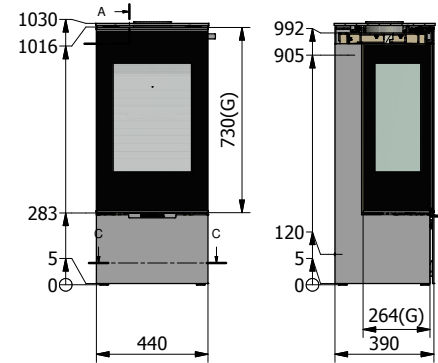
Front glass



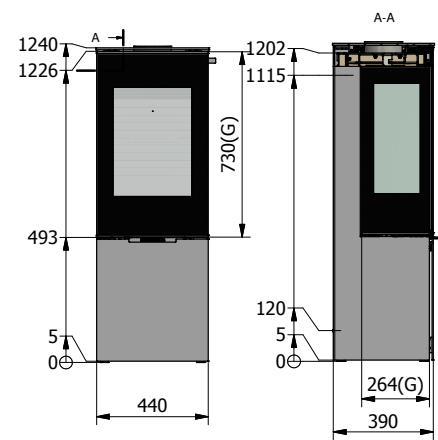
Side glass



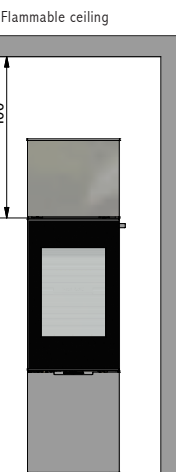
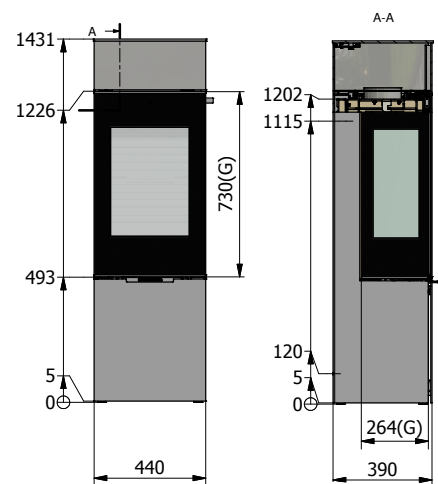
NEXO 100



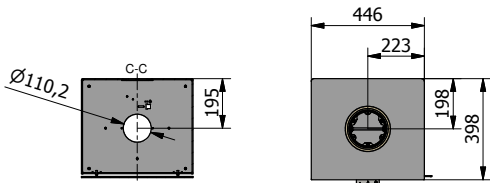
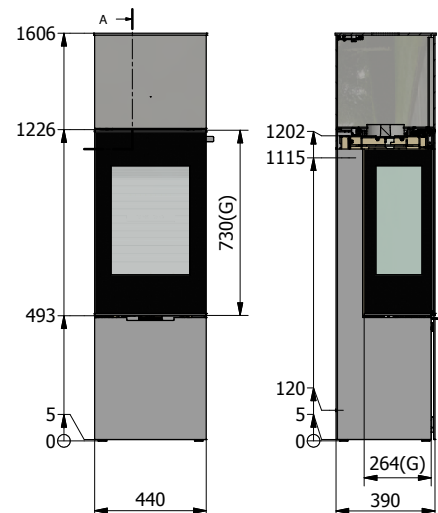
NEXO 120



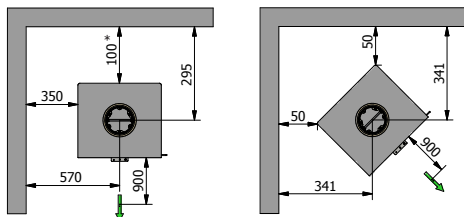
NEXO 140



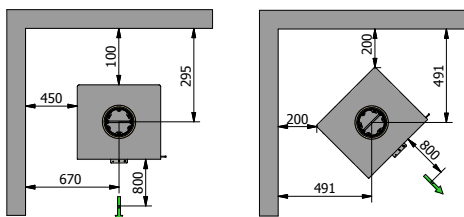
NEXO 160



Flammable wall without side glass



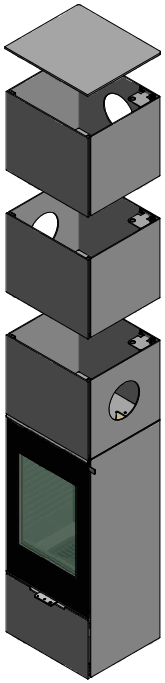
Flammable wall with side glass



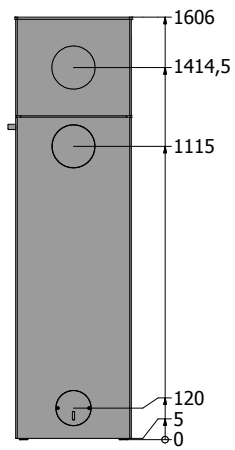
Distance to rotate base = distance to furniture
* 50 mm for insulated flue



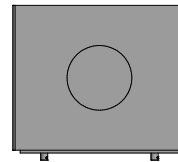
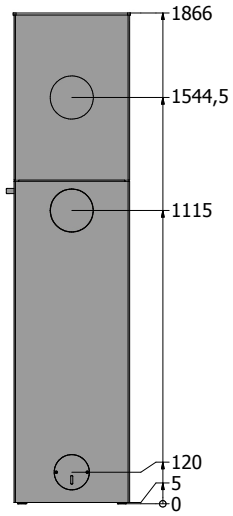
(pending)



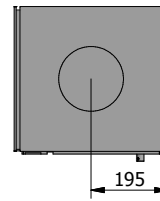
NEXO 160



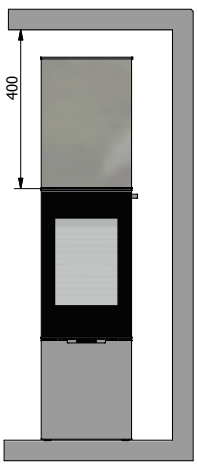
NEXO 185



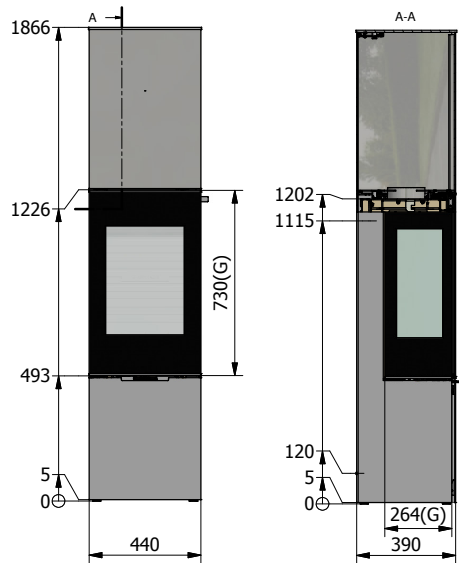
From the side



Flammable ceiling



NEXO 185



RAIS JUNO L 120 / SST / PORTO STONE

RAIS JUNO L 160 / SST / PORTO STONE

TECHNICAL DATA:

DIMENSIONS (W-D-H)

Combustion chamber's int. dim.	352-292-446 mm
Flue exit (diameter)	Ø150 mm

KEY FIGURES

Output (Nominal)	4,8 kW
Heat (at 20 degrees)	45-105 m ²
Efficiency	80 %

WEIGHT	SST 205/253 - Porto 177/214 kg
--------	--------------------------------



CleverAir



UDEN SIDEGLAS



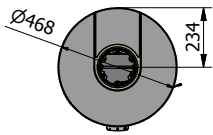
MED SIDEGLAS



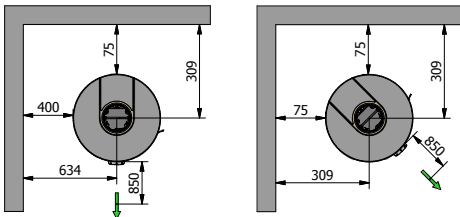
Frontglas



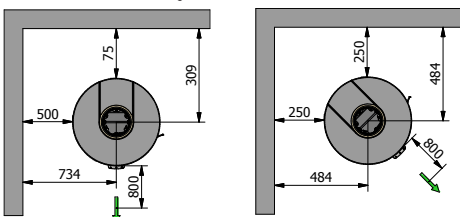
Sideglas



Flammable wall without side glass

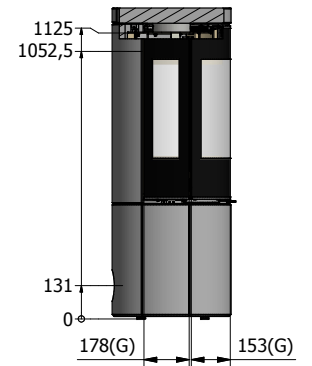
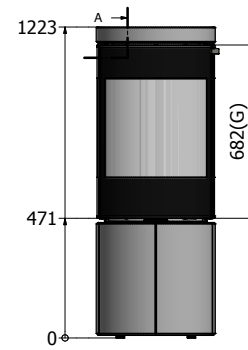
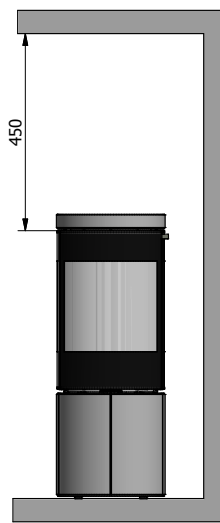


Flammable wall with side glass

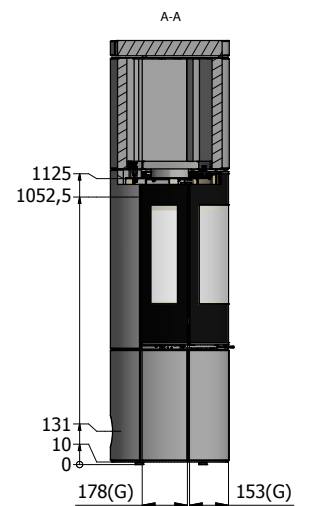
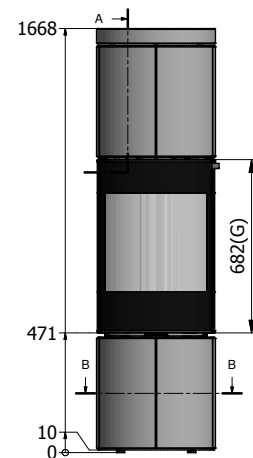
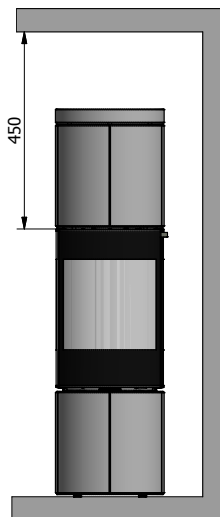


Distance to rotate base = distance to furniture

Flammable ceiling



Flammable ceiling



(pending)

RAIS 600 MAX

TECHNICAL DATA:

DIMENSIONS (W-D-H)

Combustion chamber's int. dim.	543-253-458	mm
Flue exit (diameter)	Ø150	mm

KEY FIGURES

Output (Nominal)	5,8	kW
Heat (at 20 degrees)	50-120	m ²
Efficiency	76	%

WEIGHT

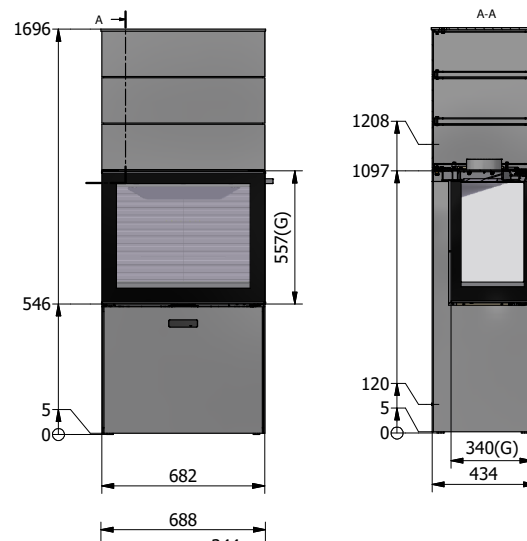
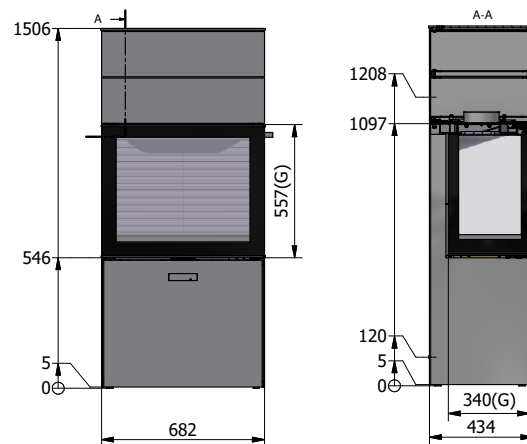
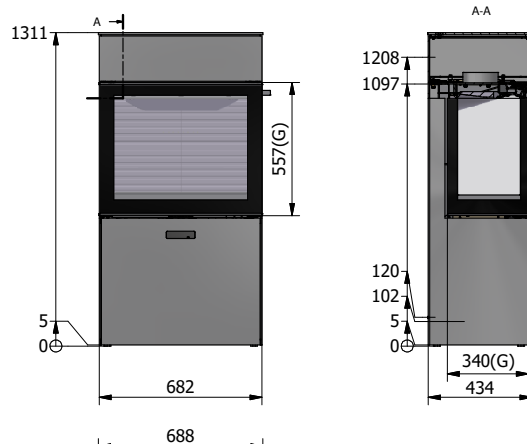
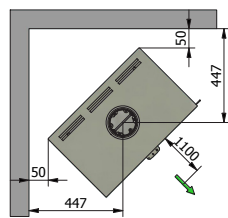
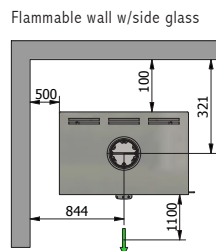
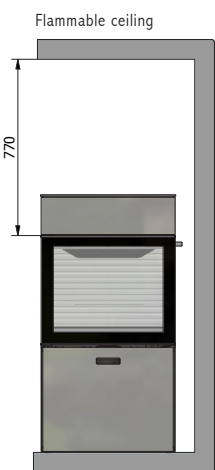
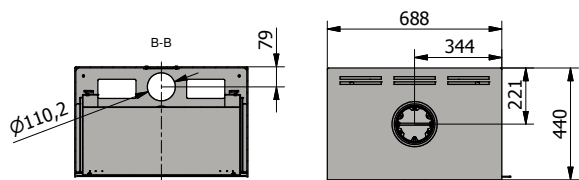
199/219/239	kg	
Heat-accumulating stones	60/120	kg



DOOR WITH GLAS



DOOR WITH STEEL FRAME



(pending)

RAIS Q-TEE 2

A+



TECHNICAL DATA:

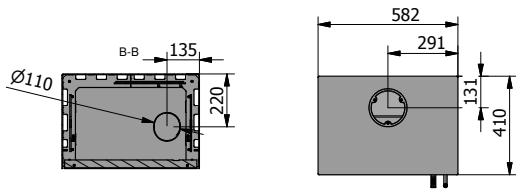
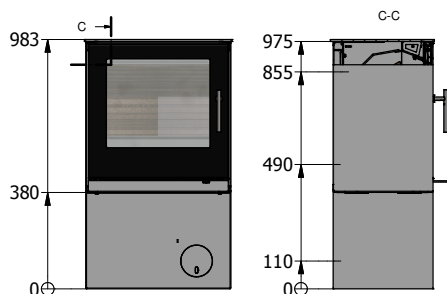
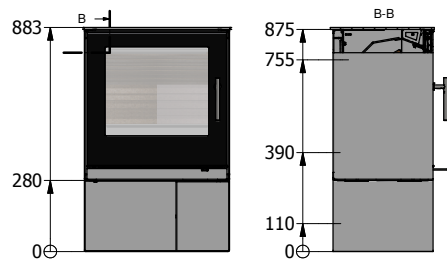
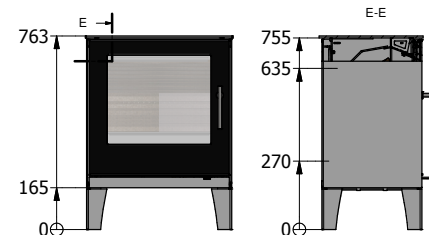
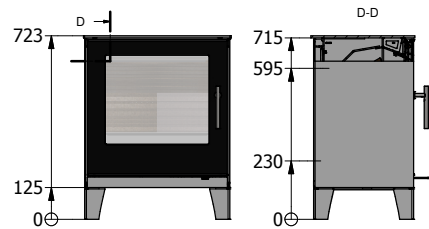
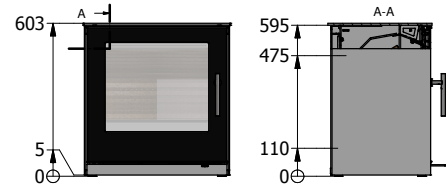
DIMENSIONS (W-D-H)

Combustion chamber's int. dim.	450-275-220	mm
Flue exit (diameter)	Ø150	mm
Distance to flammable with isolated chimney	200	mm
Distance to flammable using heatshield	200	mm

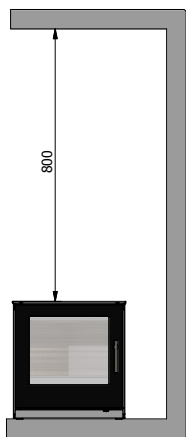
KEY FIGURES

Output (Nominal)	6,5	kW
Heat (at 20 degrees)	45-120	m ²
Efficiency	81	%

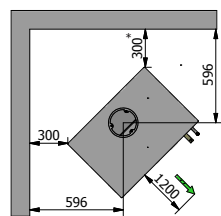
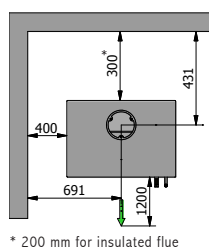
WEIGHT	125/130/131/148/151	kg
--------	---------------------	----



Flammable ceiling



Flammable wall



RAIS Q-TEE 2 C



TECHNICAL DATA:

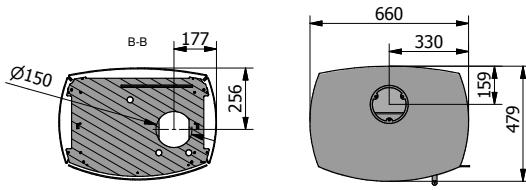
DIMENSIONS (W-D-H)

Combustion chamber's int. dim.	450-275-220	mm
Flue exit (diameter)	Ø150	mm
Distance to flammable with isolated chimney	200	mm
Distance to flammable using heatshield	200	mm

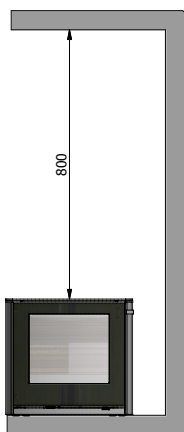
KEY FIGURES

Output (Nominal)	6,5	kW
Heat (at 20 degrees)	45-120	m ²
Efficiency	81	%

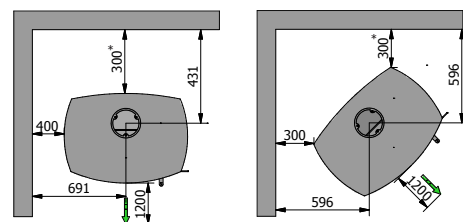
WEIGHT	137/143/144/165/170	kg
--------	---------------------	----



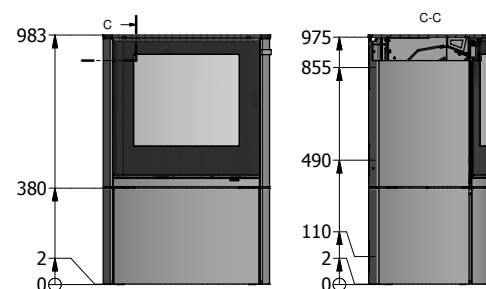
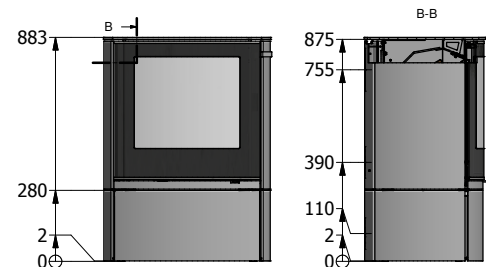
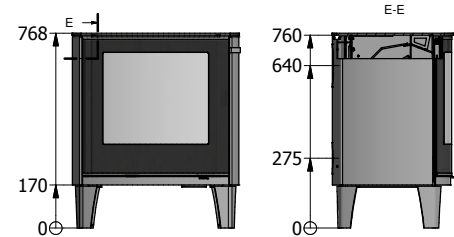
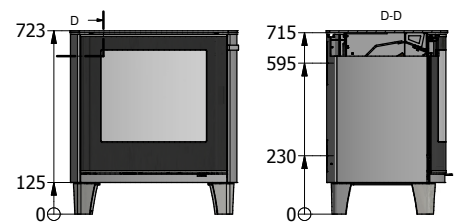
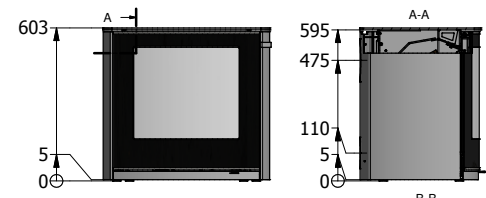
Flammable ceiling



Flammable wall



* 200 mm for insulated flue



(pending)

RAIS Q-TEE 2 C SST



TECHNICAL DATA:

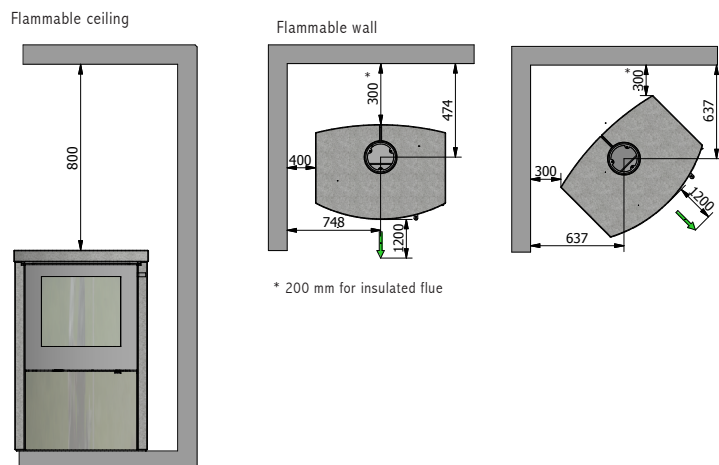
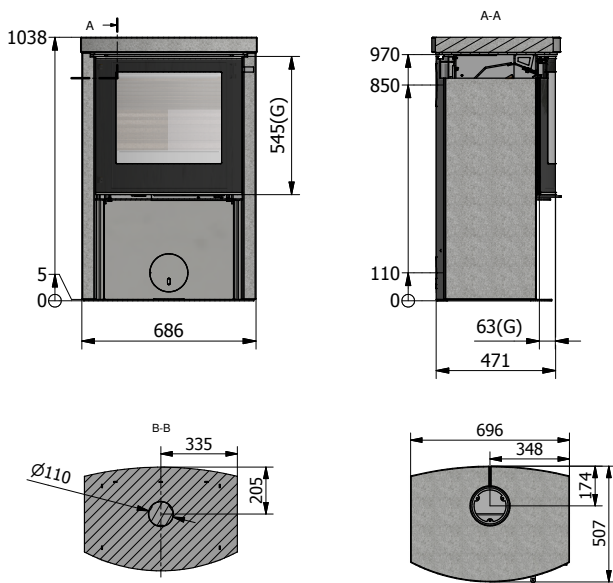
DIMENSIONS (W-D-H)

Combustion chamber's int. dim.	450-275-220 mm
Flue exit (diameter)	Ø150 mm
Distance to flammable with isolated chimney	200 mm

KEY FIGURES

Output (Nominal)	6,5 kW
Heat (at 20 degrees)	45-120 m ²
Efficiency	81 %

WEIGHT	320 kg
--------	--------



RAIS VISIO 1



TECHNICAL DATA:

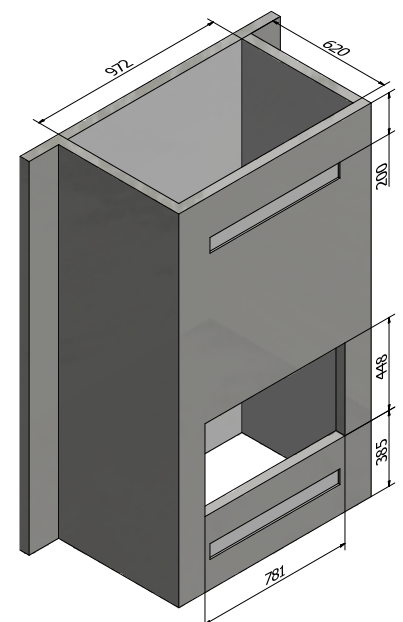
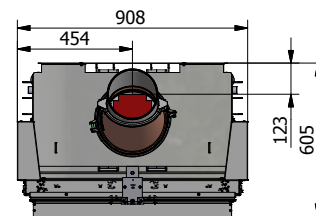
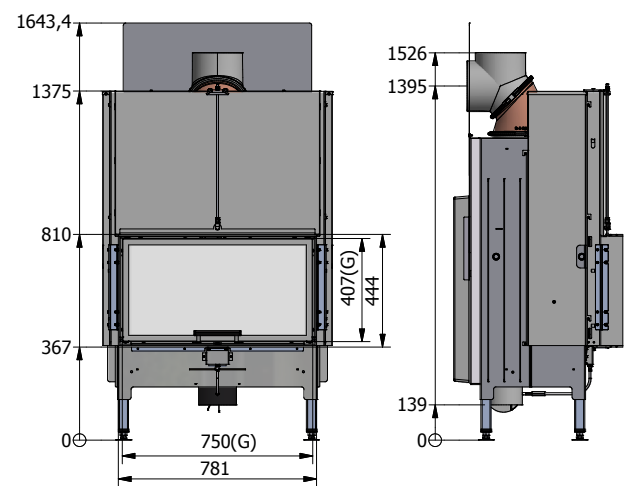
DIMENSIONS (W-D-H)

Combustion chamber's int. dim.	515-315-466 mm
Finished face opening	770-432 mm
Outer Frame Dimensions	781-444 mm
Flue exit (diameter)	Ø200 mm
AirSystem connection	Ø150 mm

KEY FIGURES

Output (Nominal)	7 kW
Heat (at 20 degrees)	75-120 m ²
Efficiency	80 %

WEIGHT	233 kg
--------	--------



RAIS VISIO 2



TECHNICAL DATA:

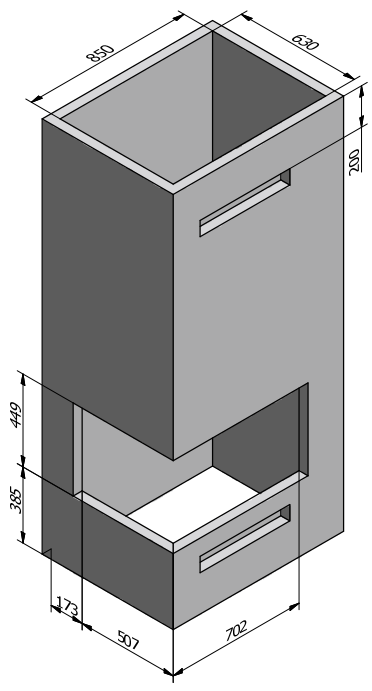
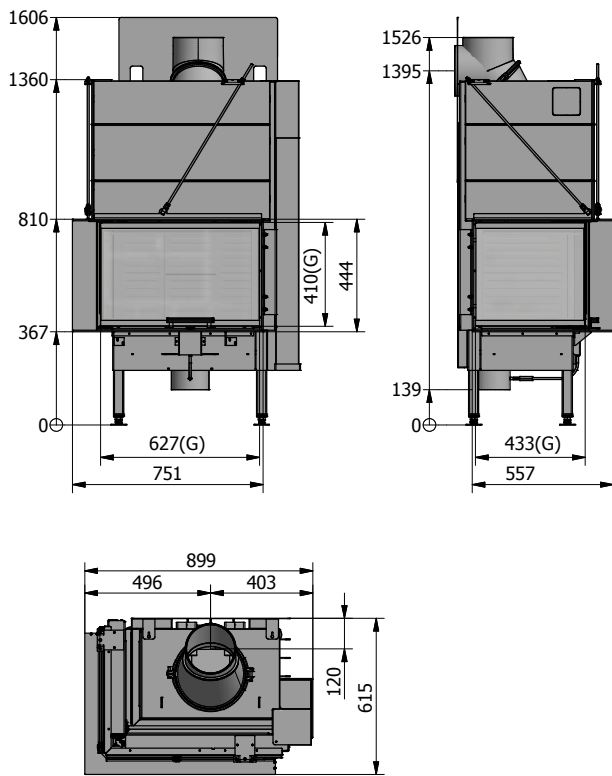
DIMENSIONS (W-D-H)

Combustion chamber's int. dim.	515-315-466	mm
Finished face opening (inner Frame Dimensions)	702-507-449	mm
Outer Frame Dimensions	751-557-444	mm
Flue exit (diameter)	Ø200	mm
AirSystem connection	Ø150	mm

KEY FIGURES

Output (Nominal)	7	kW
Heat (at 20 degrees)	75-120	m ²
Efficiency	80	%

WEIGHT	233	kg
--------	-----	----



RAIS VISIO 2 L



TECHNICAL DATA:

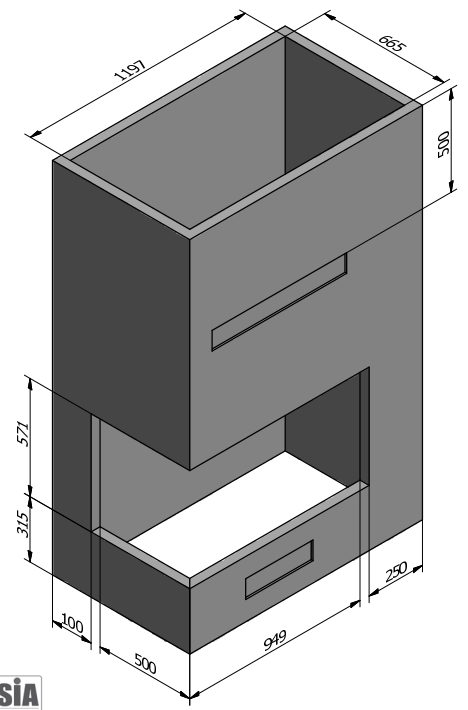
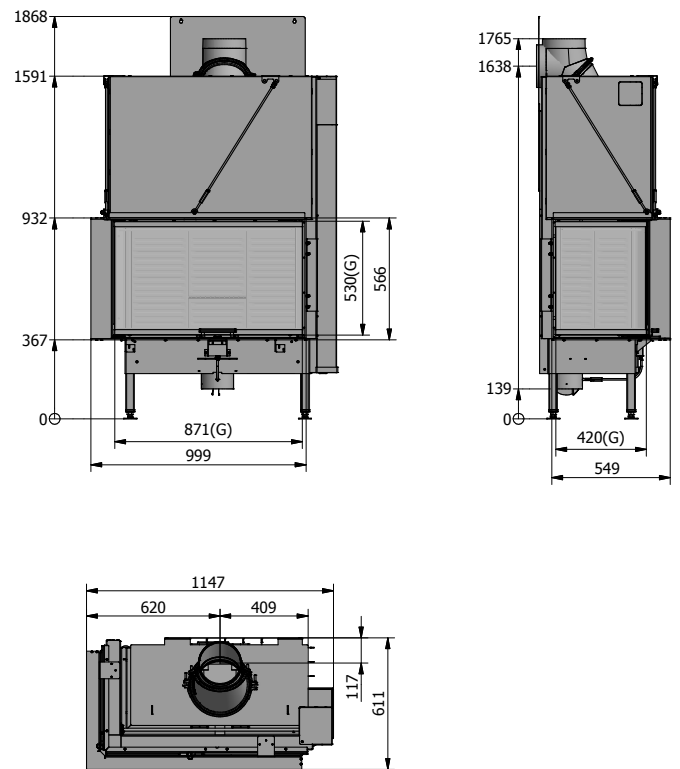
DIMENSIONS (W-D-H)

Combustion chamber's int. dim.	550-270-541	mm
Finished face opening (inner Frame Dimensions)	949-500-571	mm
Outer Frame Dimensions	999-549-566	mm
Flue exit (diameter)	Ø200	mm
AirSystem connection	Ø150	mm

KEY FIGURES

Output (Nominal)	10,3	kW
Heat (at 20 degrees)	120-200	m ²
Efficiency	81	%

WEIGHT	293	kg
--------	-----	----



RAIS VISIO 3



TECHNICAL DATA:

DIMENSIONS (W-D-H)

Combustion chamber's int. dim.	515-315-466 mm
Finished face opening (inner Frame Dimensions)	790-462-449 mm
Outer Frame Dimensions	891-512-444 mm
Flue exit (diameter)	Ø200 mm
AirSystem connection	Ø150 mm

KEY FIGURES

Output (Nominal)	7 kW
Heat (at 20 degrees)	75-120 m ²
Efficiency	80 %

WEIGHT	233 kg
--------	--------

RAIS VISIO 3 L



TECHNICAL DATA:

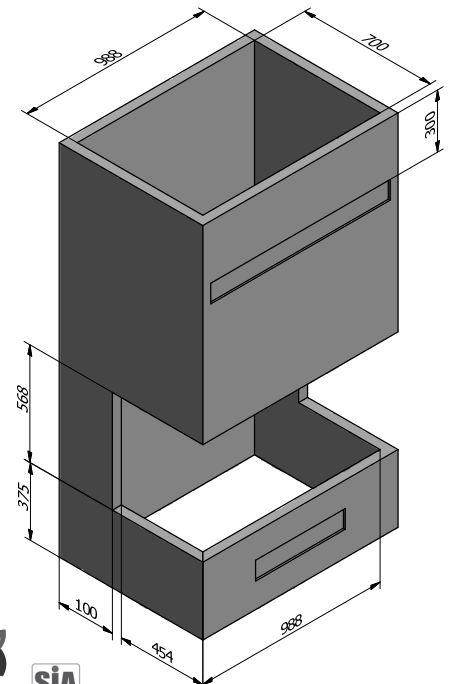
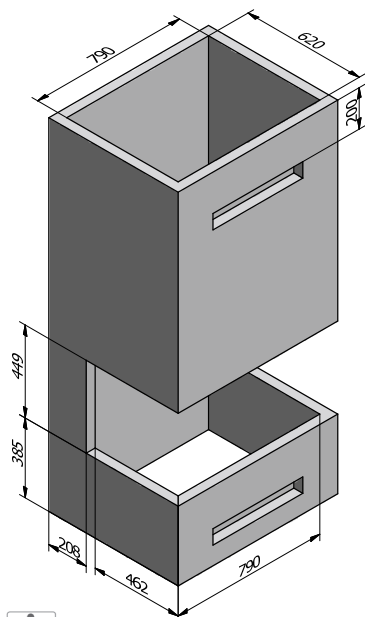
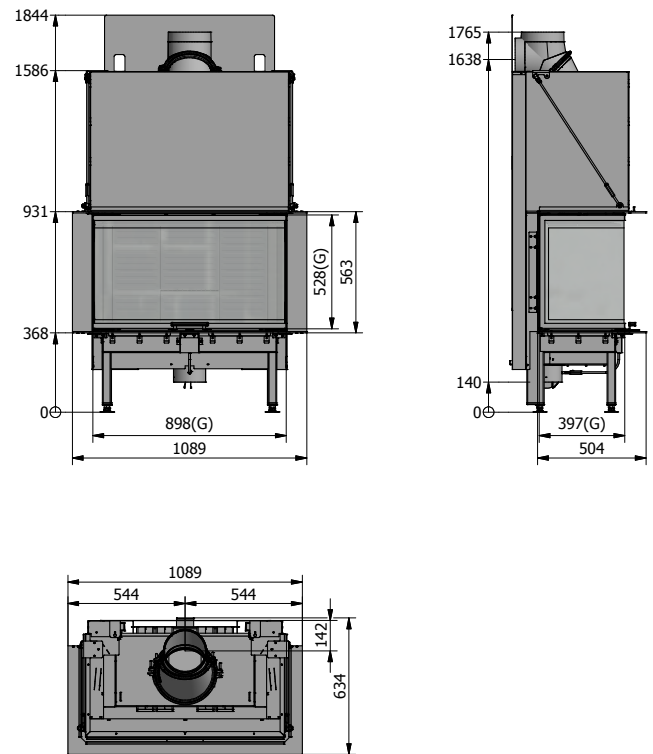
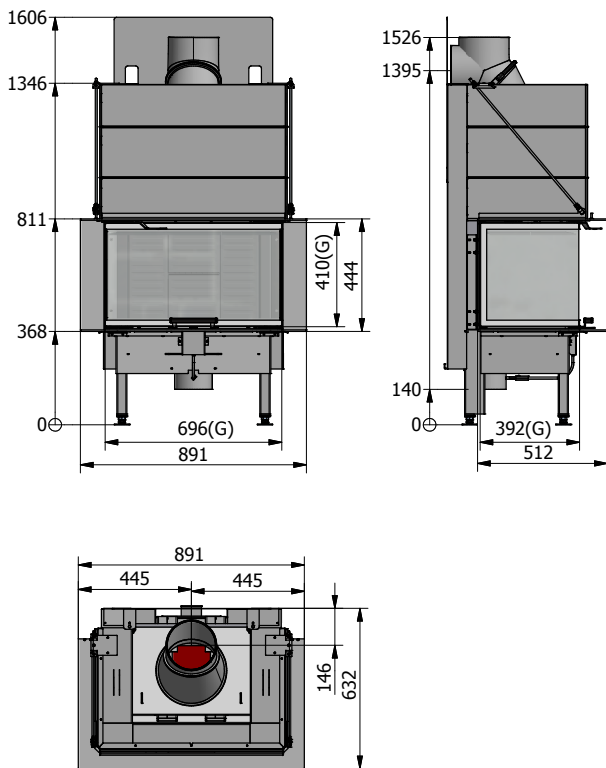
DIMENSIONS (W-D-H)

Combustion chamber's int. dim.	550-270-541 mm
Finished face opening (inner Frame Dimensions)	988-454-568 mm
Outer Frame Dimensions	1089-504-563 mm
Flue exit (diameter)	Ø200 mm
AirSystem connection	Ø150 mm

KEY FIGURES

Output (Nominal)	10,3 kW
Heat (at 20 degrees)	120-200 m ²
Efficiency	81 %

WEIGHT	293 kg
--------	--------



RAIS VISIO 3 UNIQ

A



TECHNICAL DATA:

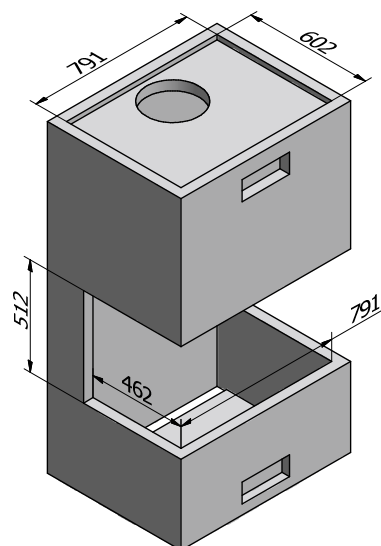
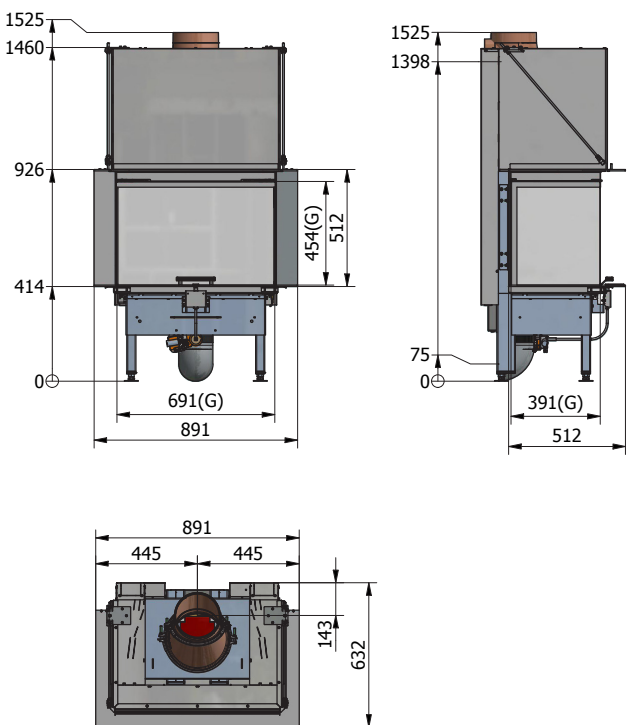
DIMENSIONS (W-D-H)

Combustion chamber's int. dim.	482-279-250 mm
Finished face opening (inner Frame Dimensions)	791-462-512 mm
Outer Frame Dimensions ²	891-512-512 mm
Flue exit (diameter)	Ø200 mm
AirSystem connection	Ø150 mm

KEY FIGURES

Output (Nominal)	9,3 kW
Heat (at 20 degrees)	45-180 m ²
Efficiency	78 %

WEIGHT	268 kg
--------	--------



RAIS VISIO 2:1

A



TECHNICAL DATA:

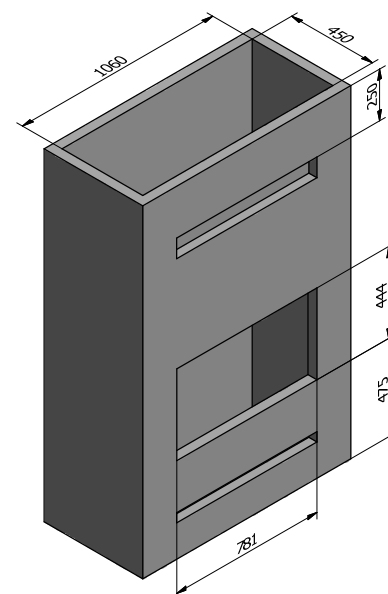
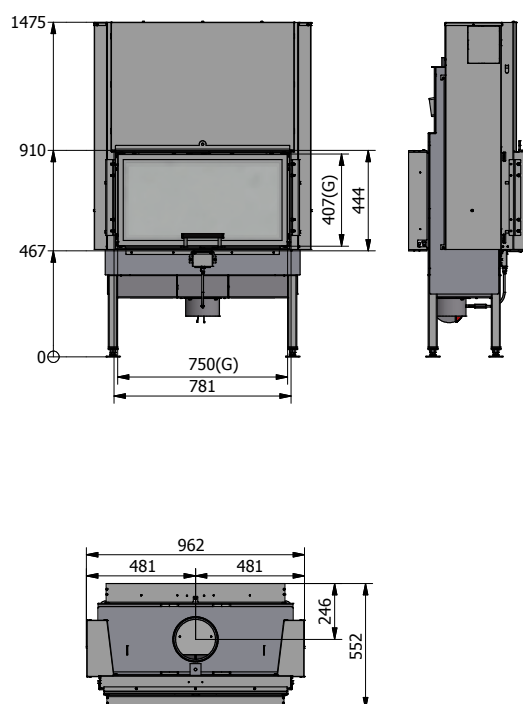
DIMENSIONS (W-D-H)

Combustion chamber's int. dim.	688-230-364 mm
Finished face opening (inner Frame Dimensions)	781-444/788-444 mm
Outer Frame Dimensions	781-444/788-443 mm
Flue exit (diameter)	Ø150 mm
AirSystem connection	Ø150 mm

KEY FIGURES

Output (Nominal)	5,8 kW
Heat (at 20 degrees)	75-100 m ²
Efficiency	79 %

WEIGHT	235 kg
--------	--------



RAIS VISIO 3:1



TECHNICAL DATA:

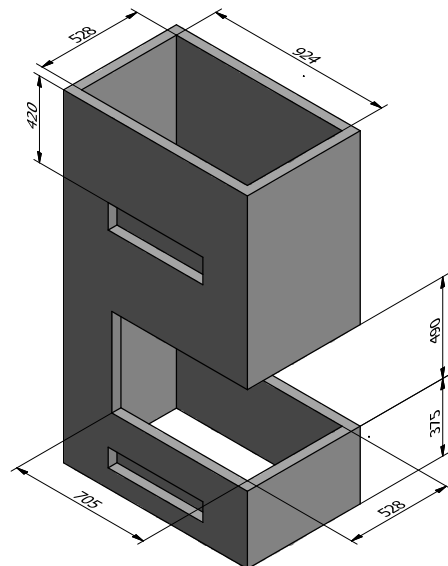
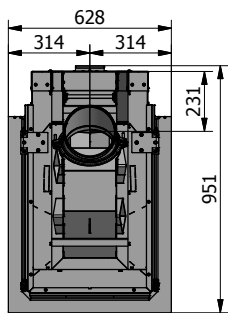
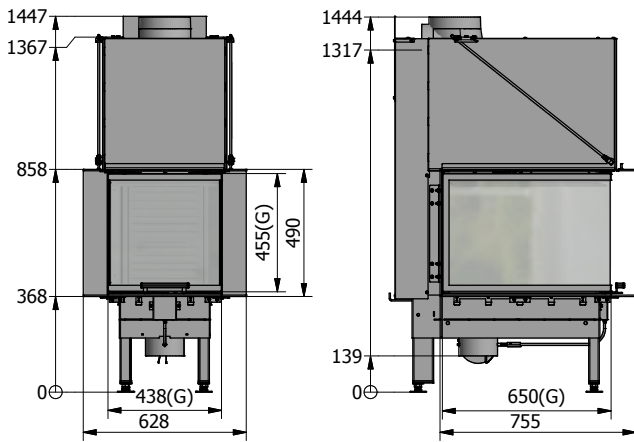
DIMENSIONS (W-D-H)

Combustion chamber's int. dim.	245-545-449 mm
Finished face opening (inner Frame Dimensions)	528-705-490 mm
Outer Frame Dimensions	628-755-490 mm
Flue exit (diameter)	Ø200 mm
AirSystem connection	Ø150 mm

KEY FIGURES

Output (Nominal)	10,0 kW
Heat (at 20 degrees)	75-125 m ²
Efficiency	77 %

WEIGHT	260 kg
--------	--------



RAIS VISIO 3:1 UNIQ



TECHNICAL DATA:

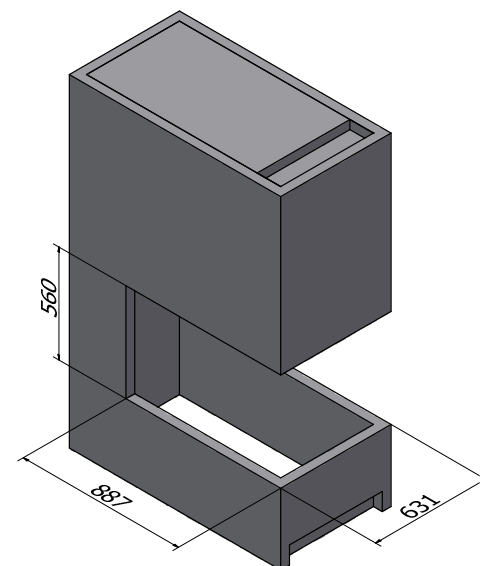
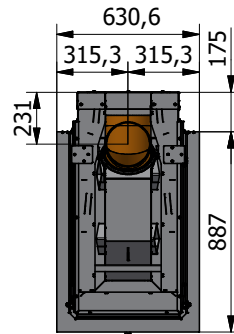
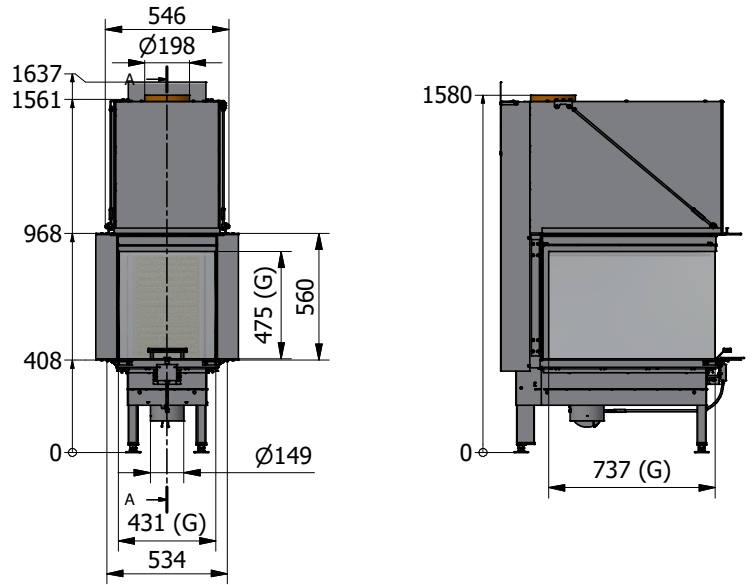
DIMENSIONS (W-D-H)

Combustion chamber's int. dim.	237-638-527 mm
Finished face opening (Outer Frame Dimensions)	631-887-560 mm
Outer Frame Dimensions	631-887-560 mm
Flue exit (diameter)	Ø198 mm
AirSystem connection	Ø150 mm

KEY FIGURES

Output (Nominal)	11,3 kW
Heat (at 20 degrees)	180 m ²
Efficiency	76 %

WEIGHT	318 kg
--------	--------



RAIS 500¹

TECHNICAL DATA:

DIMENSIONS (W-D-H)

Combustion chamber's int. dim.	550-280-290 mm
Finished face opening (Outer Frame Dimensions)	485-730 mm
Outer Frame Dimensions	496-730 mm
Flue exit (diameter)	Ø150 mm
AirSystem connection	Ø100 mm

KEY FIGURES

Output (Nominal)	5,6 kW
Heat (at 20 degrees)	30-120 m ²
Efficiency	76 %

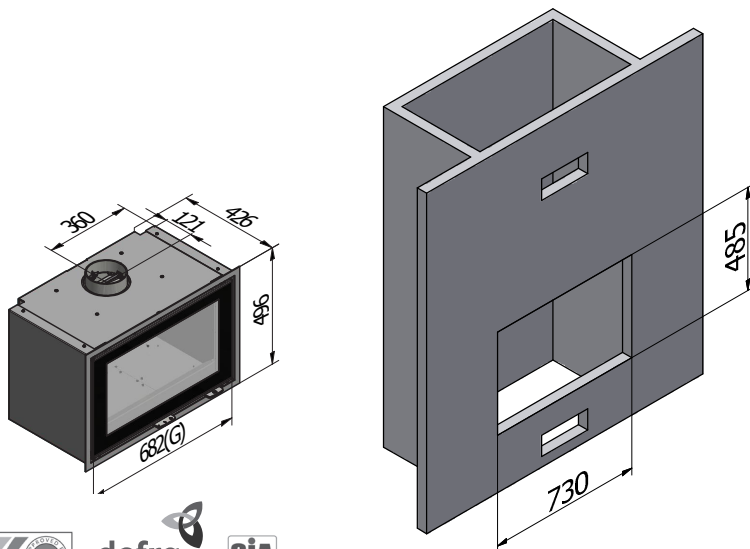
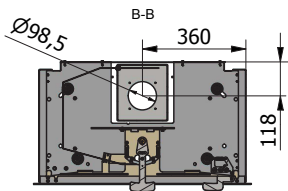
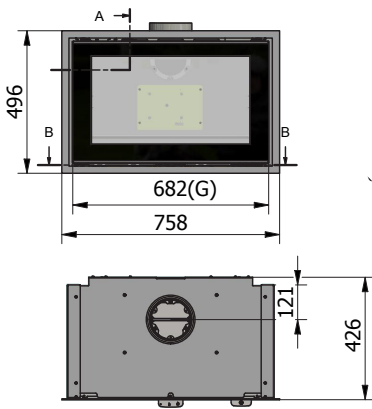
WEIGHT	102 kg
--------	--------



DOOR WITH GLASS



DOOR STEEL FRAME



RAIS 500²

TECHNICAL DATA:

DIMENSIONS (W-D-H)

Combustion chamber's int. dim.	550-280-290 mm
Finished face opening (Outer Frame Dimensions)	485-704-400 mm
Outer Frame Dimensions	496-721-416 mm
Flue exit (diameter)	Ø150 mm
AirSystem connection	Ø100 mm

KEY FIGURES

Output (Nominal)	5,6 kW
Heat (at 20 degrees)	30-120 m ²
Efficiency	76 %

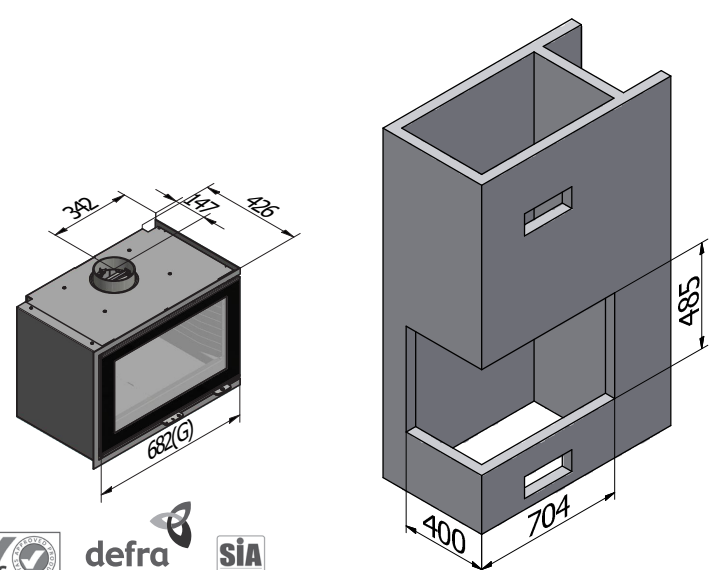
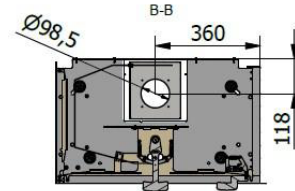
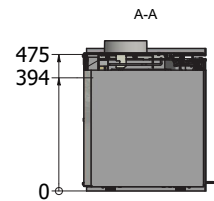
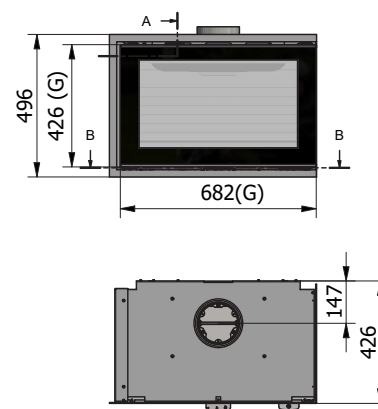
WEIGHT	99 kg
--------	-------



DOOR WITH GLASS



DOOR STEEL FRAME



RAIS 500³

TECHNICAL DATA:

DIMENSIONS (W-D-H)

Combustion chamber's int. dim.	550-280-290	mm
Finished face opening (Outer Frame Dimensions)	678-400-485	mm
Outer Frame Dimensions	682/416-496-426	mm
Flue exit (diameter)	Ø150	mm
AirSystem connection	Ø100	mm

KEY FIGURES

Output (Nominal)	5,6	kW
Heat (at 20 degrees)	30-120	m ²
Efficiency	76	%

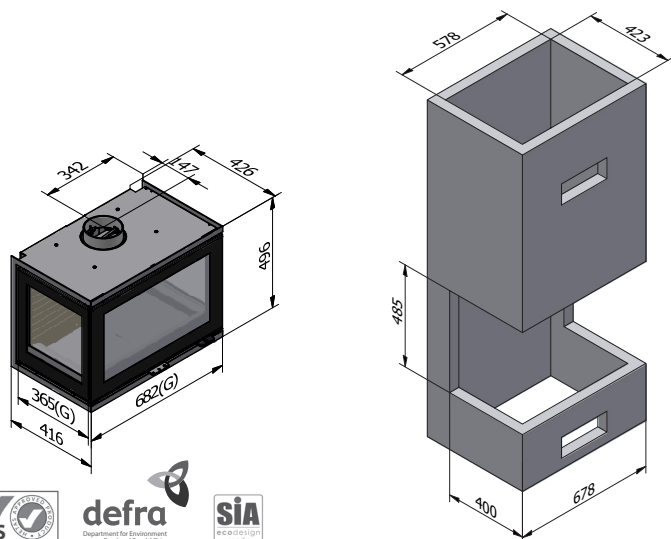
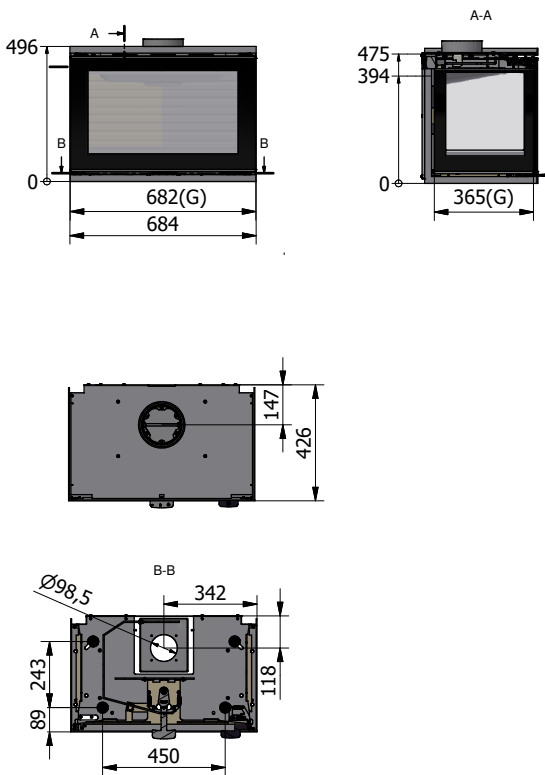
WEIGHT	96	kg
--------	----	----



DOOR WITH GLASS



DOOR STEEL FRAME



RAIS 600¹

TECHNICAL DATA:

DIMENSIONS (W-D-H)

Combustion chamber's int. dim.	543-253-404	mm
Finished face opening (Outer Frame Dimensions)	730-615	mm
Outer Frame Dimensions	758-627	mm
Flue exit (diameter)	Ø150	mm
AirSystem connection	Ø100	mm

KEY FIGURES

Output (Nominal)	5,8	kW
Heat (at 20 degrees)	30-120	m ²
Efficiency	76	%

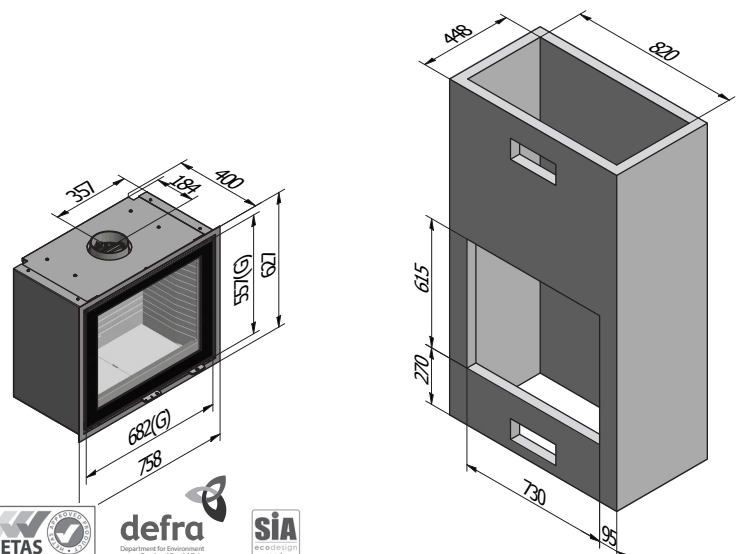
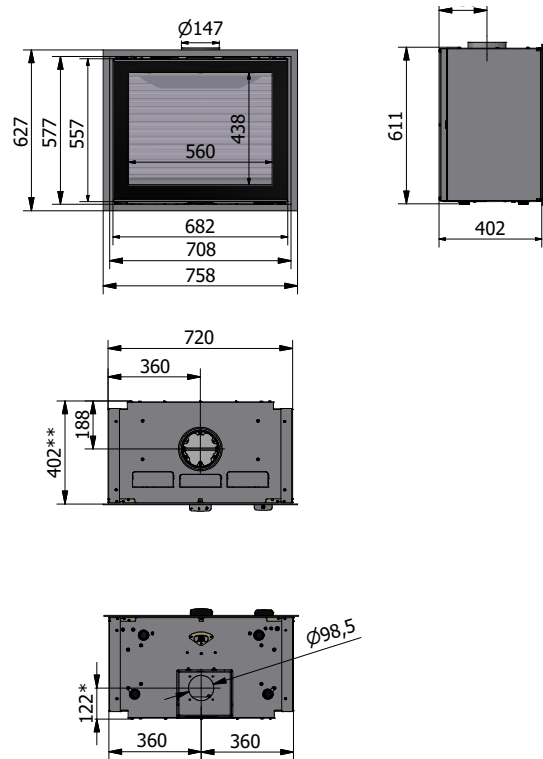
WEIGHT	99	kg
--------	----	----



DOOR WITH GLASS



DOOR STEEL FRAME



RAIS 600²

TECHNICAL DATA:

DIMENSIONS (W-D-H)

Combustion chamber's int. dim.	543-253-404 mm
Finished face opening (Outer Frame Dimensions)	704-375-615 mm
Outer Frame Dimensions	721-391-627 mm
Flue exit (diameter)	Ø150 mm
AirSystem connection	Ø100 mm

KEY FIGURES

Output (Nominal)	5,8 kW
Heat (at 20 degrees)	30-120 m ²
Efficiency	76 %

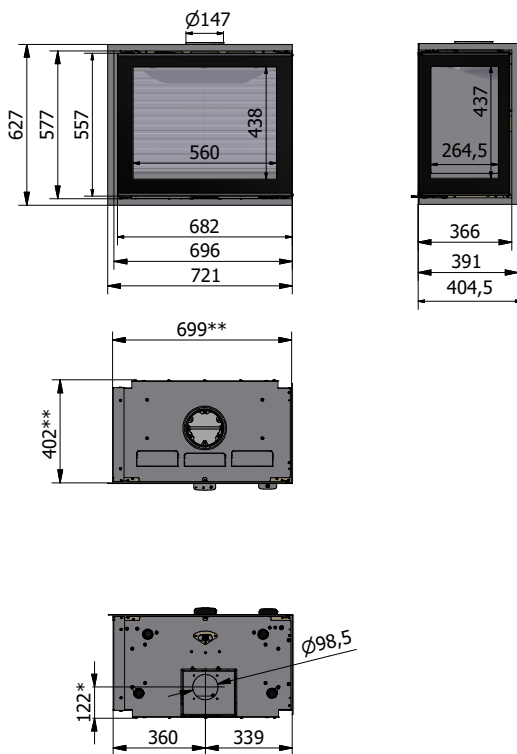
WEIGHT	99 kg
--------	-------



DOOR WITH GLASS



DOOR STEEL FRAME



RAIS 600³

TECHNICAL DATA:

DIMENSIONS (W-D-H)

Combustion chamber's int. dim.	543-253-404 mm
Finished face opening (Outer Frame Dimensions)	678-375-615 mm
Outer Frame Dimensions	684-391-627 mm
Flue exit (diameter)	Ø150 mm
AirSystem connection	Ø100 mm

KEY FIGURES

Output (Nominal)	5,8 kW
Heat (at 20 degrees)	30-120 m ²
Efficiency	76 %

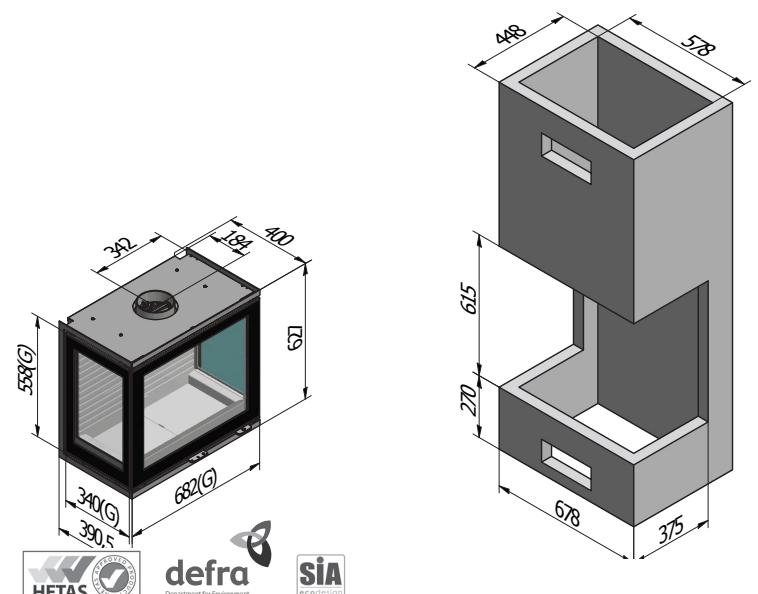
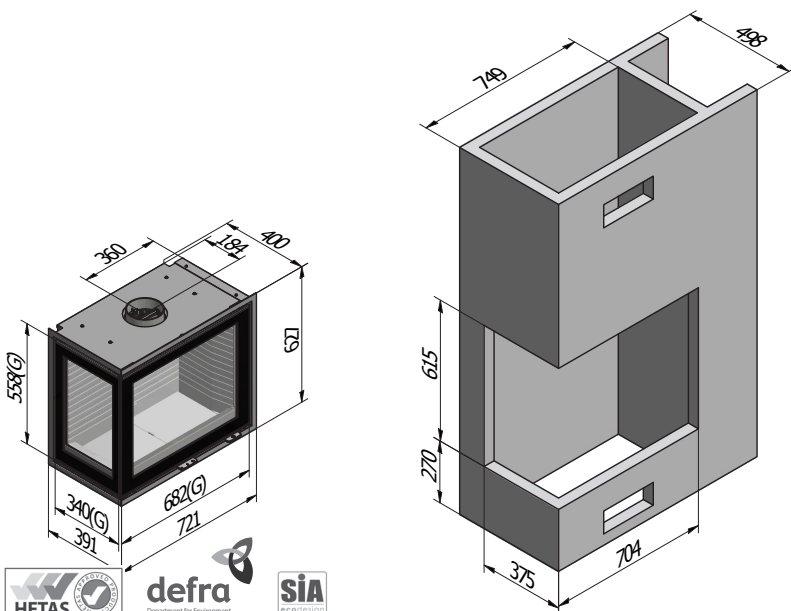
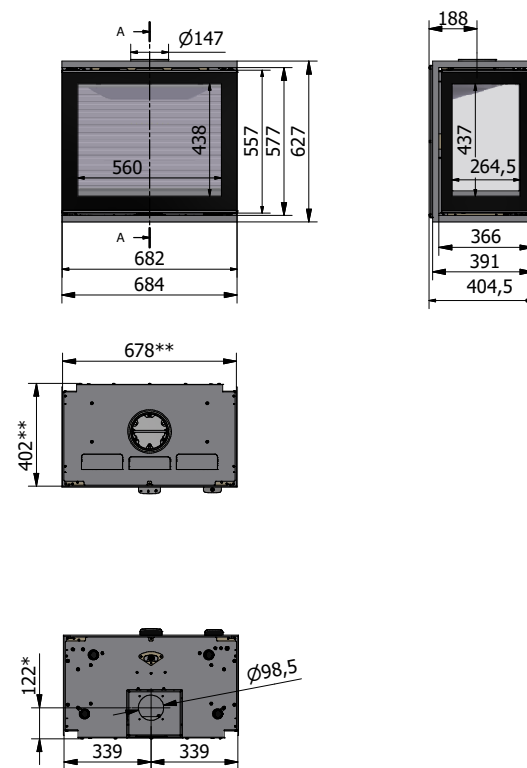
WEIGHT	99 kg
--------	-------



DOOR WITH GLASS



DOOR STEEL FRAME



RAIS 600 RD

TECHNICAL DATA:

DIMENSIONS (W-D-H)

Combustion chamber's int. dim.	544-256-471 mm
Finished face opening (Outer Frame Dimensions)	713-410-603 mm
Outer Frame Dimensions	721-416-627 mm
Flue exit (diameter)	Ø150 mm
AirSystem connection	Ø100 mm

KEY FIGURES

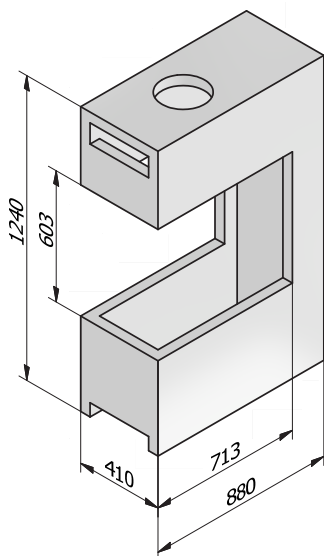
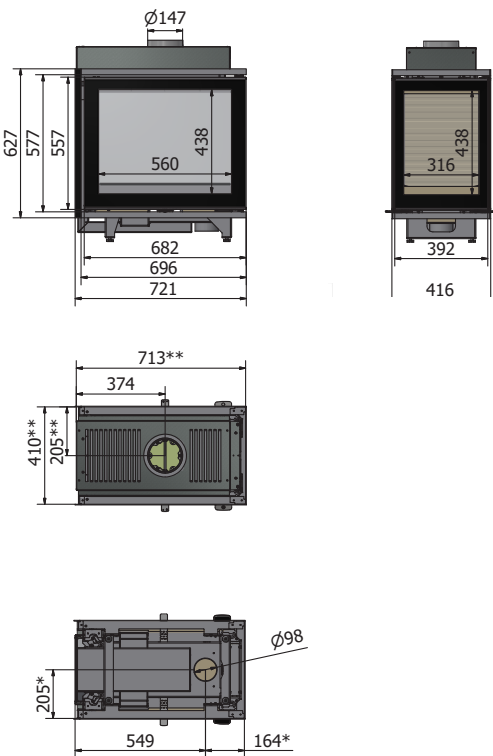
Output (Nominal)	7,9 kW
Heat (at 20 degrees)	30-120 m ²
Efficiency	76 %

WEIGHT	99 kg
--------	-------

DOOR WITH GLASS



DOOR STEEL FRAME



RAIS 600 T

TECHNICAL DATA:

DIMENSIONS (W-D-H)

Combustion chamber's int. dim.	544-256-471 mm
Finished face opening (Outer Frame Dimensions)	748-410-603 mm
Outer Frame Dimensions	758-416-627 mm
Flue exit (diameter)	Ø150 mm
AirSystem connection	Ø100 mm

KEY FIGURES

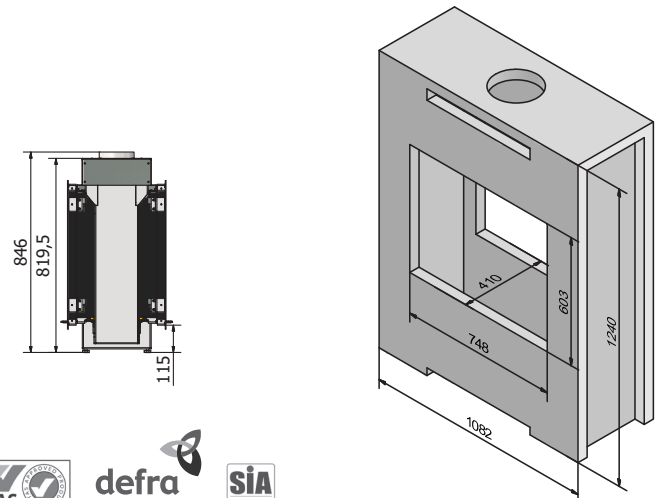
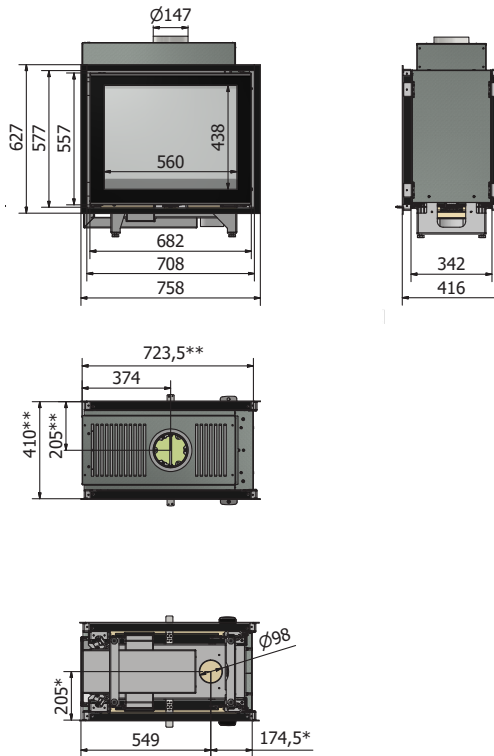
Output (Nominal)	9,7 kW
Heat (at 20 degrees)	30-120 m ²
Efficiency	76 %

WEIGHT	99 kg
--------	-------

DOOR WITH GLASS



DOOR STEEL FRAME





FREESTANDING STOVES

	Height in mm	Width in mm	Depth in mm	Diameter in mm	Hight to center back	Weight in kg	Distance flammable wall back stove	Distance flammable wall - side	Distance flammable wall w/sideglass	Heat accumulating stones
VivaL 100	1000			470	887	121	75	400	500	
VivaL 120	1218			470	967	126	75	400	500	24
VivaL 140	1418			470	1027	131	75	400	500	48
VivaL 160	1618			470	1027	148	75	400	500	96
Nexo 100	1030	446	398		905	140	100	350	450	
Nexo 120	1240	446	398		1115	155	100	350	450	
Nexo 140	1431	446	398		1115	170	100	350	450	36
Nexo 160	1606	446	398		1115	180	100	350	450	72
Nexo 185	1866	446	398		1115	194	100	350	450	120
Caro 90	920	486	407		790	116	100	300	400	
Caro 110	1111	486	407		981	131	100	300	400	
Caro 130	1329	486	407		981	145	100	300	400	24
Caro 120 SST	1148	484	407		986	182	100	300	-	
Caro 120 Porto	1148	484	407		986	164	100	300	-	
Juno 120 SST	1223			468	1053	205	75	400	500	
Juno 120 Porto	1223			468	1053	177	75	400	500	
Juno 160 SST	1668			468	1053	253	75	400	500	72
Juno 160 Porto	1668			468	1053	214	75	400	500	72
Pllar 190	1930			462	1672	134	100	500	-	120
Rais 600-2 Max	1311	688	440		1208	211	100	250	500	
Rais 600-2 Max m/ 1 topbox	1506	688	440		1208	229	100	250	500	60
Rais 600-2 Max m/ 2 topboxe	1696	688	440		1208	247	100	250	500	120
Rais 600-3 Max	1311	688	440		1208	199	100	250	500	
Rais 600-3 Max m/ 1 topbox	1506	688	440		1208	219	100	250	500	60
Rais 600-3 Max m/ 2 topboxe	1696	688	440		1208	239	100	250	500	120
Q-Tee 2	603	582	410		475	125	200*	400		
Q-Tee 2 w/legs 125 mm	723	582	410		595	130	200*	400		
Q-Tee 2 w/legs 160 mm	762	582	410		634	131	200*	400		
Q-Tee 2 w/base 280 mm	883	582	410		755	148	200*	400		
Q-Tee 2 w/base 380 mm	983	582	410		855	151	200*	400		
Q-Tee 2 C	603	660	479		475	137	200*	400		
Q-Tee 2 C w/legs 125 mm	723	660	479		595	143	200*	400		
Q-Tee 2 C w/legs 160 mm	768	660	479		640	144	200*	400		
Q-Tee 2 C w/base 280 mm	883	660	479		755	165	200*	400		
Q-Tee 2 C w/base 380 mm	983	660	479		855	170	200*	400		
Q-Tee 2 C SST	1038	696	507		850	320	200*	400		

* Full Insulated chimney, the distance to combustible material is 200 mm



RAIS[®]

