

stûv

[9] S

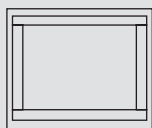
The
essential
fire

Offered as replacements for open fires, the s6 family is available as an insert or freestanding stove in a range of formats and sizes.

Elegant, compact and economical, the 2 solutions feature a continuous curve of the combustion chamber for a wider view of the fire.

wood-burning insert

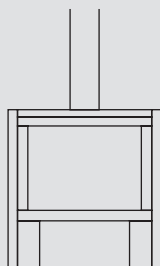
appliance to be integrated
into a wall or chimney breast



s[6]in p.2

wood-burning stove

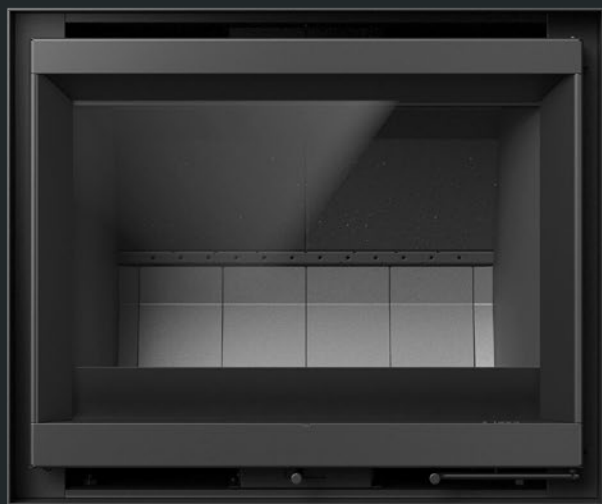
freestanding appliance that requires
no finishing work to install



s[6]H p.28



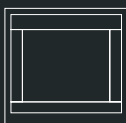




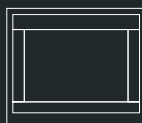
Choosing Stûv means opting for curves and lines that lead straight to well-being.

s[6]in

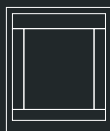
56/50
56/50 (UK)



66/50



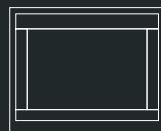
46/55



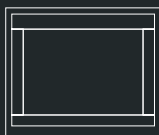
66/55



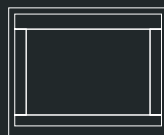
76/55



76/60

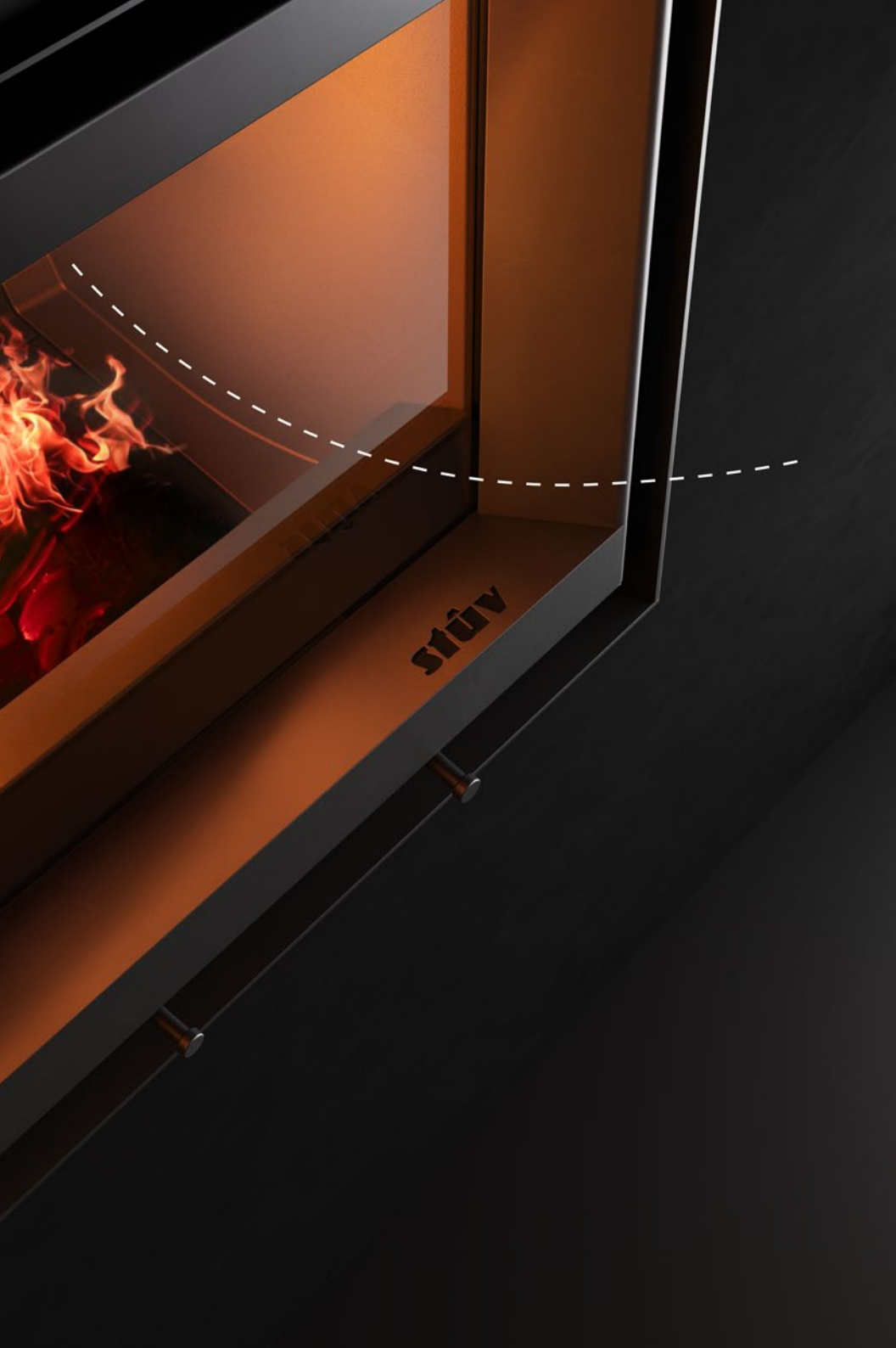


86/60



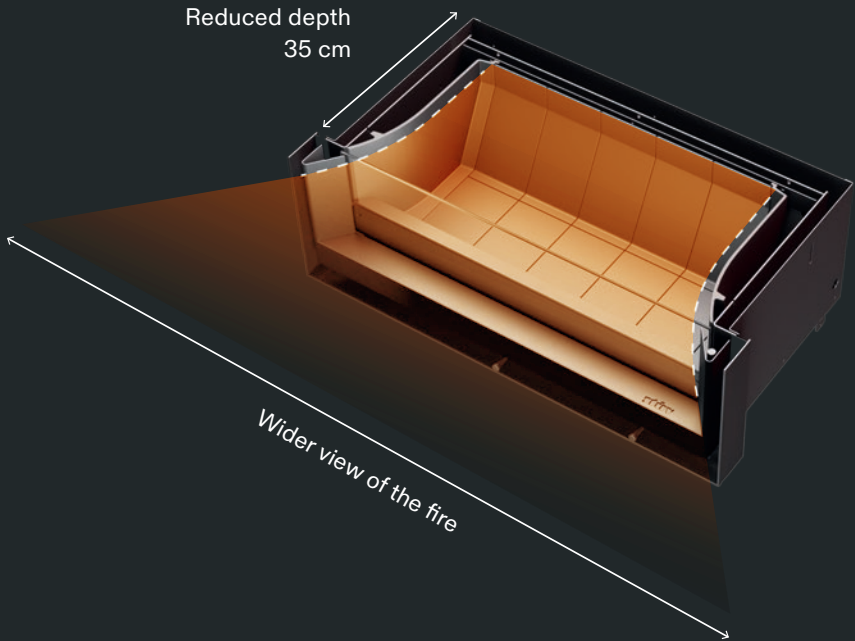
Designed to fit the specific dimensions of old masonry hearths, these wood-burning inserts are easy to install and simple to use.

Sober and elegant, their cast iron combustion chamber transmits a gentle heat, adapted to today's needs.



stuv

The distinctive shape of the s6-in combustion chamber is based on a design where the chamber narrows at the back and opens forward in a gentle curve beyond the door frame. The result is a compact appliance offering an impressive view of the fire and heat output perfectly suited to the room it warms.







The s6-in brings new life to existing fireplaces. Its installation casing allows for easy integration into traditional hearths, connecting directly to the flue and air supply. The firebox then slides in and locks perfectly into place for a simple, lasting installation.

Performance*

Energy efficiency class

Energy efficiency index

Output

Output range

Nominal efficiency

Seasonal efficiency

Fine particle emissions

CO emissions

NOx emissions

COV/COG emissions

Range of wood consumption

s[6]in

height 50

Logs - Maximum length

Weight

Standards

A	A
105	105
5,9 kW	5,0 kW
4,4 - 8,9 kW	4,0 - 7,5 kW
79,5 %	79,0 %
69,5 %	69,0 %
24 mg/Nm ³	38 mg/Nm ³
0,07 % / 824 mg/Nm ³	0,08 % / 1044 mg/Nm ³
109 mg/Nm ³	110 mg/Nm ³
49 mg/Nm ³	98 mg/Nm ³
1,3 - 2,6 kg/h	1,2 - 2,2 kg/h

A
103
6,8 kW
4,7 - 10,2 kW
77,6 %
67,6 %
30 mg/Nm ³
0,07 % / 873 mg/Nm ³
108 mg/Nm ³
68 mg/Nm ³
1,4 - 2,9 kg/h

56/50

56/50 (UK)

66/50



33 cm

33 cm

40 cm

72 kg

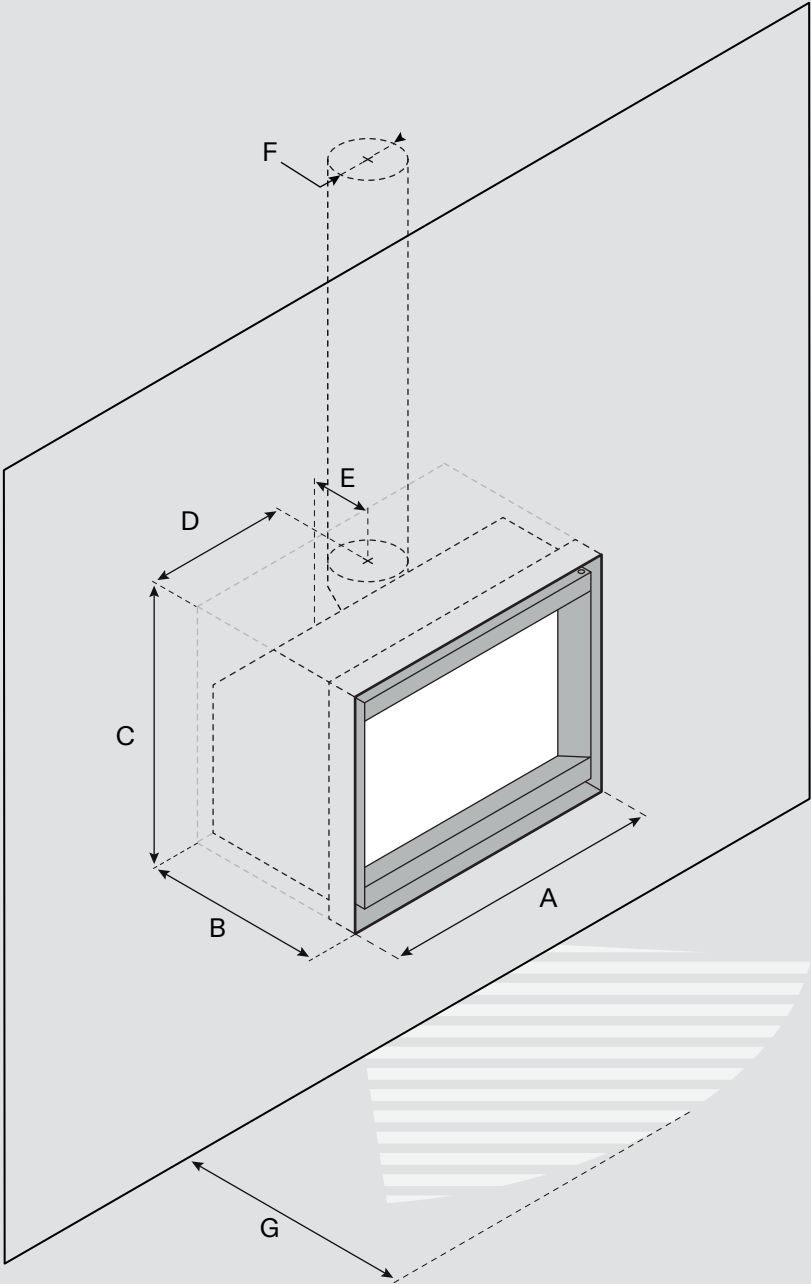
72 kg

74 kg

EcoDesign 2022
DEFRA

EcoDesign 2022
DEFRA

EcoDesign 2022
DEFRA



s[6]in - height 50

	56/50 56/50 (UK)	66/50
[A] Width	560 mm*	660 mm*
[B] Depth	415 mm*	415 mm*
[C] Height	500 mm*	500 mm*
[D] Flue axis - side	280 mm	330 mm
[E] Flue axis - rear	100 mm	100 mm
[F] Smoke outlet diameter	130 mm	150 mm
[G] Front radiation zone	1100 mm	1200 mm
Ø External air connection	100 mm	100 mm
Optional ventilation kit	-	✓
Colour	StûvBlack	StûvBlack

Glass

	56/50 56/50 (UK)	66/50
Width	420 mm	520 mm
Height	305 mm	305 mm

* Caution: be sure to add the insulation thicknesses defined by your local regulations to the dimensions of the recess.

The appliance must be professionally installed by an authorised dealer/installer. To ensure the performance and compliance of your appliance, refer exclusively to the installation manual available at www.stuv.com

Performance*

Energy efficiency class

Energy efficiency index

Output

Output range

Nominal efficiency

Seasonal efficiency

Fine particle emissions

CO emissions

NOx emissions

COV/COG emissions

Range of wood consumption




s[6]in

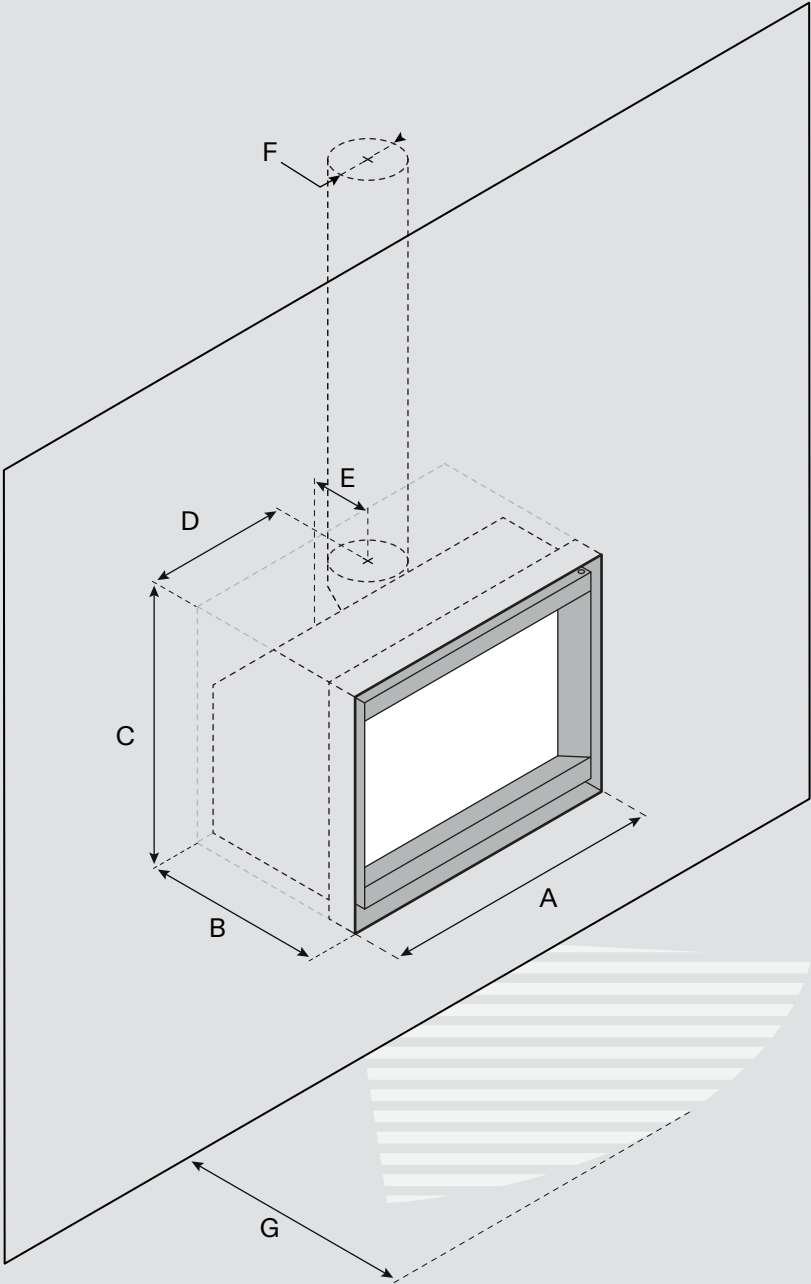
height 55

Logs - Maximum length

Weight

Standards

A+	A	A
110	104	103
4,9 kW	7,6 kW	8,5 kW
3,9 - 7,4 kW	5,0 - 11,4 kW	5,5 - 12,6 kW
83,1 %	78,9 %	77,6 %
73,1 %	68,9 %	67,6 %
21 mg/Nm ³	24 mg/Nm ³	17 mg/Nm ³
0,08 % / 994 mg/Nm ³	0,07 % / 824 mg/Nm ³	0,07 % / 853 mg/Nm ³
106 mg/Nm ³	116 mg/Nm ³	130 mg/Nm ³
92 mg/Nm ³	68 mg/Nm ³	52 mg/Nm ³
1,1 - 2,1 kg/h	1,5 - 3,3 kg/h	1,6 - 3,6 kg/h
46/55	66/55	76/55
		
20 cm	40 cm	50 cm
65 kg	77 kg	84 kg
EcoDesign 2022 DEFRA	EcoDesign 2022 DEFRA	EcoDesign 2022 DEFRA



s[6]in - height 55

	46/55	66/55	76/55
[A] Width	460 mm*	660 mm*	760 mm*
[B] Depth	415 mm*	415 mm*	415 mm*
[C] Height	550 mm*	550 mm*	550 mm*
[D] Flue axis - side	230 mm	330 mm	380 mm
[E] Flue axis - rear	100 mm	100 mm	100 mm
[F] Smoke outlet diameter	130 mm	150 mm	150 mm
[G] Front radiation zone	1100 mm	1400 mm	1350 mm
Ø External air connection	100 mm	100 mm	100 mm
Optional ventilation kit	-	✓	✓
Colour	StûvBlack	StûvBlack	StûvBlack

Glass

	46/55	66/55	76/55
Width	320 mm	520 mm	620 mm
Height	355 mm	355 mm	355 mm

* Caution: be sure to add the insulation thicknesses defined by your local regulations to the dimensions of the recess.

The appliance must be professionally installed by an authorised dealer/installer. To ensure the performance and compliance of your appliance, refer exclusively to the installation manual available at www.stuv.com

Performance*

Energy efficiency class

Energy efficiency index

Output

Output range

Nominal efficiency

Seasonal efficiency

Fine particle emissions

CO emissions

NOx emissions

COV/COG emissions

Range of wood consumption

s[6]in

height 60

Logs - Maximum length

Weight

Standards

A	A
104	109
9,3 kW	10,8 kW
5,7 - 13,2 kW	6,3 - 14,9 kW
78,9 %	75,3 %
68,9 %	65,3 %
21 mg/Nm ³	22 mg/Nm ³
0,06 % / 767 mg/Nm ³	0,08 % / 1014 mg/Nm ³
116 mg/Nm ³	113 mg/Nm ³
68 mg/Nm ³	85 mg/Nm ³
1,7 - 3,8 kg/h	1,8 - 4,3 kg/h

76/60



86/60



50 cm

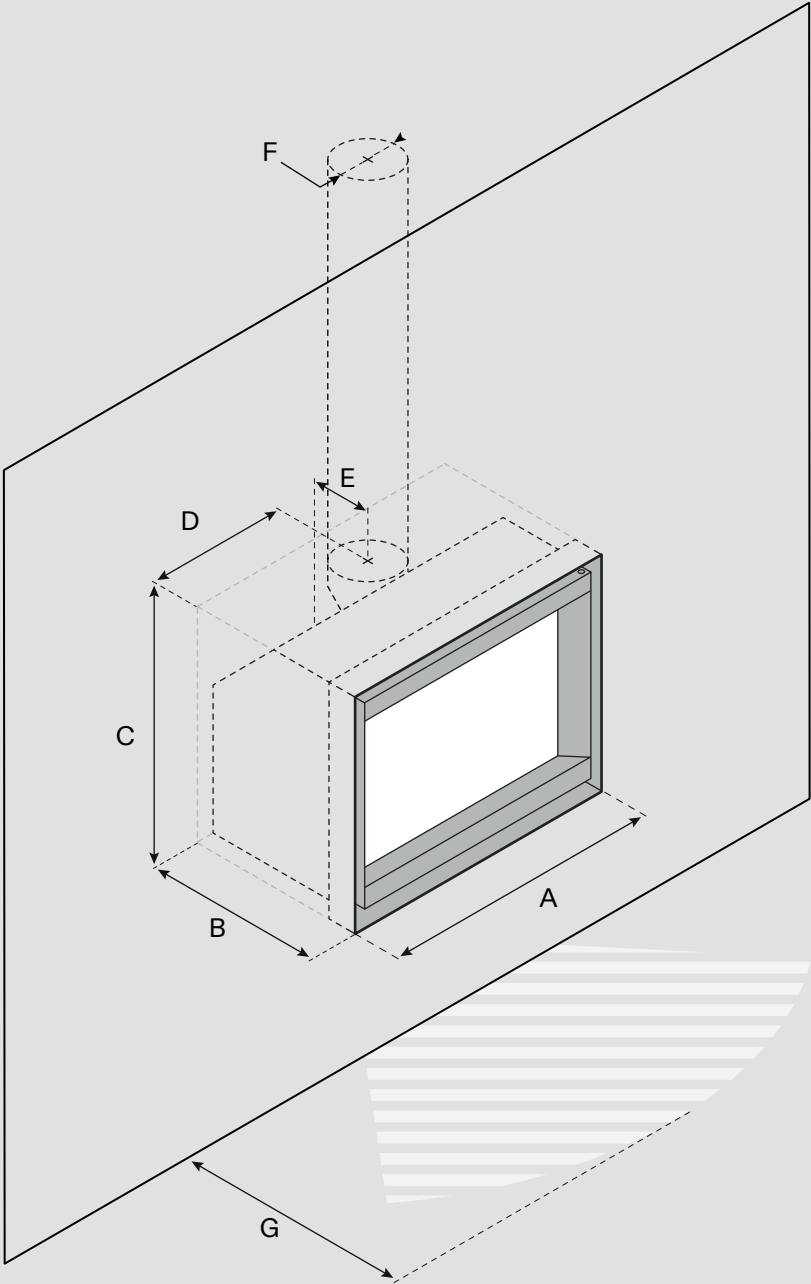
50 cm

91 kg

96 kg

EcoDesign 2022
DEFRA

EcoDesign 2022
DEFRA



s[6]in - height 60

	76/60	86/60
[A] Width	760 mm*	860 mm*
[B] Depth	415 mm*	415 mm*
[C] Height	600 mm*	600 mm*
[D] Flue axis - side	380 mm	430 mm
[E] Flue axis - rear	100 mm	100 mm
[F] Smoke outlet diameter	150 mm	180 mm
[G] Front radiation zone	1500 mm	1500 mm
∅ External air connection	100 mm	100 mm
Optional ventilation kit	✓	✓
Colour	StûvBlack	StûvBlack

Glass

	76/60	86/60
Width	620 mm	820 mm
Height	405 mm	405 mm

* Caution: be sure to add the insulation thicknesses defined by your local regulations to the dimensions of the recess.

The appliance must be professionally installed by an authorised dealer/installer. To ensure the performance and compliance of your appliance, refer exclusively to the installation manual available at www.stuv.com



s6-in 86/60 - Flush-mounted slim frame

Flush-mounted slim frame



	56/50	66/50	46/55	66/55	76/55	76/60	86/60
W	560	660	460	660	760	760	860
H	500	500	550	550	550	600	600

Thin flush frame



W	560	660	460	660	760	760	860
H	500	500	550	550	550	600	600

3-sided applied frame



W	596	696	496	696	796	796	896
H	519	519	567	567	567	619	619

4-sided applied frame



W	594	694	494	694	794	794	894
H	536	536	586	586	586	636	636

Frames

These black steel frames are designed to provide a refined, impeccable finish around the perimeter of small to very large masonry hearths.







s6-in 66/55 - Steel fireplace

Steel fireplace

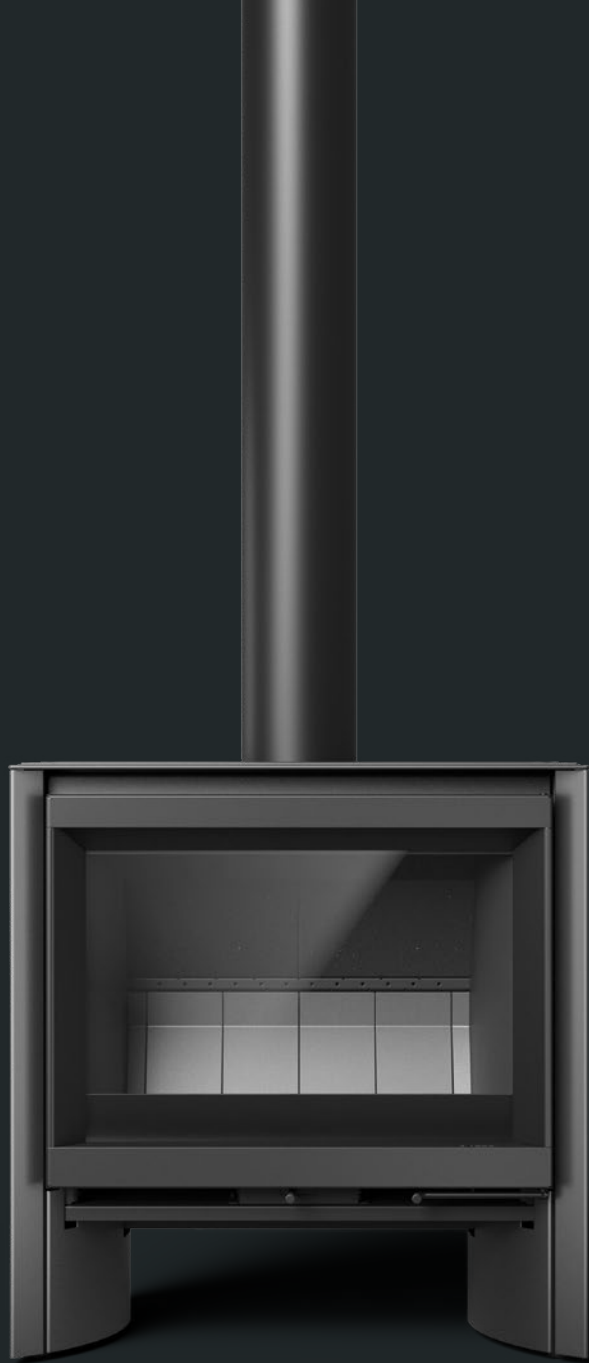


	56/50	66/50	46/55	66/55	76/55	76/60	86/60
W	1120	1120	-	1120	1320	1320	1320
H	880	880	-	880	980	980	980
D	164	164	-	164	164	164	164

Front panel

Here, the fire reveals its purest expression. The black powder-coated steel fireplace surround extends the clean lines of the s6-in, bringing structure and balance to the space. Its geometric design shapes a refined, architectural volume that makes the fire the true focal point. Available in two sizes, with a matching frame depending on the selected model. Not compatible with the s6-in 46×55 model.

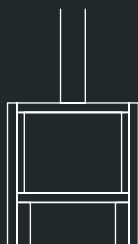
Respect
for nature



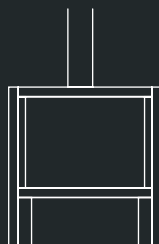
Choosing Stûv means marveling at the spectacle of nature.

s[6]H

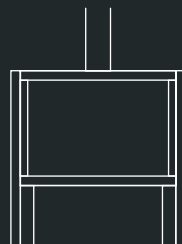
56/50
56/50 (UK)



66/55



76/60



These compact, high-performance wood-burning stoves blend harmoniously into any space, large or small.

Their contemporary design, with a wider view of the fire, is a source of well-being.

All you have to do is load the logs and light the fire to enjoy the soft, enveloping warmth.

Performance*

Energy efficiency class

Energy efficiency index

Output (kW)

Output range (kW)

Nominal efficiency (%)

Seasonal efficiency (%)

Fine particle emissions (mg/Nm³)

CO emissions (mg/Nm³)

NOx emissions (mg/Nm³)

COV/COG emissions (mg/Nm³)

Range of wood consumption (kg/h)

s[6]H

Logs - Maximum length

Weight

Standards

A	A
105	105
5,9	5,0
4,4 - 8,9	4,0 - 7,5
79,5	79,0
69,5	69,0
24	38
824	1044
109	110
49	98
1,3 - 2,6	1,2 - 2,2

A
104
7,6
5,0 - 11,4
78,9
68,9
24
824
116
68
1,5 - 3,3

A
104
9,3
5,7 - 13,2
78,9
68,9
21
767
116
68
1,7 - 3,8

56/50 56/50 (UK)



66/55



76/60



33 cm

40 cm

50 cm

80 kg

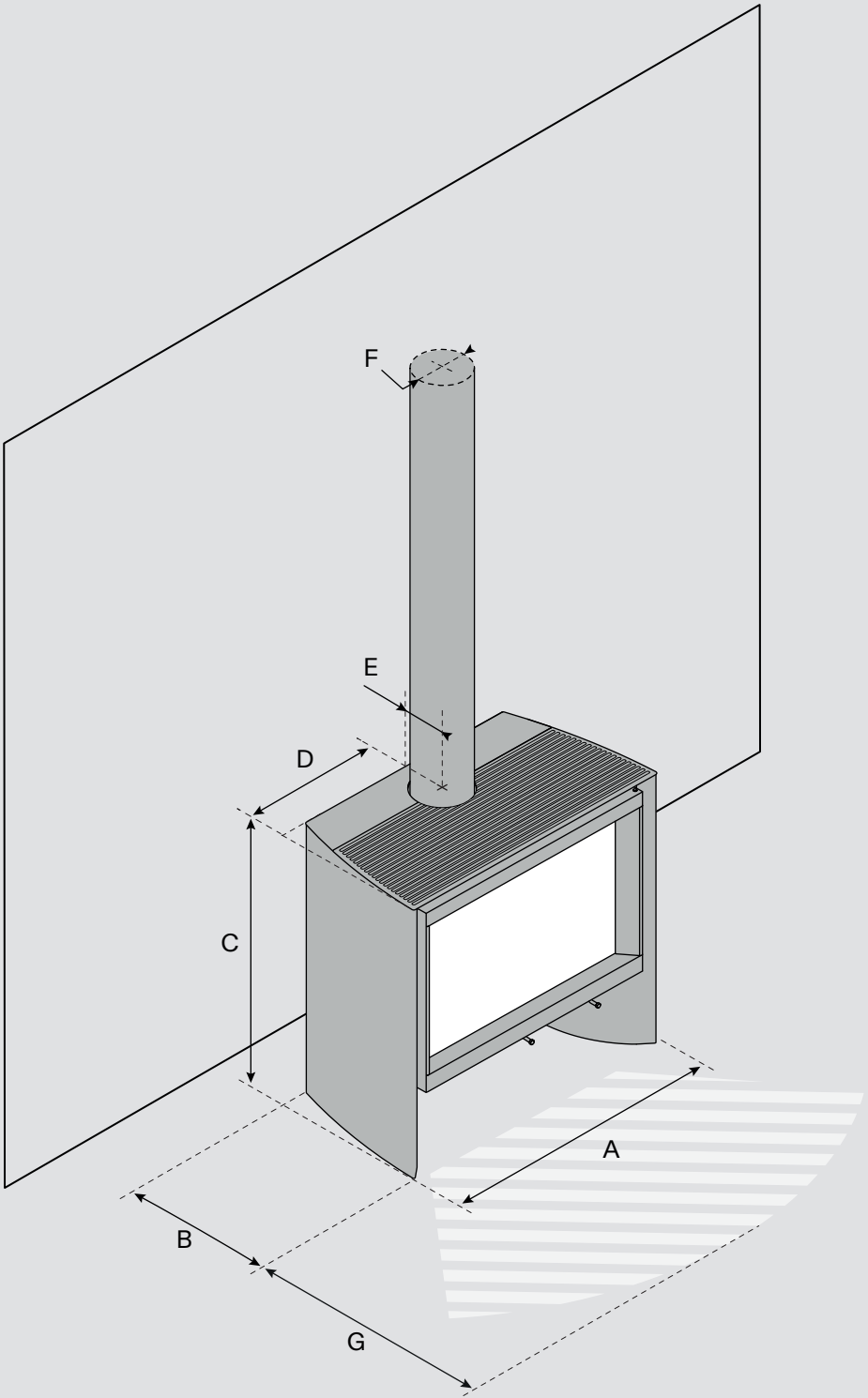
95 kg

105 kg

EcoDesign 2022
DEFRA

EcoDesign 2022
DEFRA

EcoDesign 2022
DEFRA



s[6]H

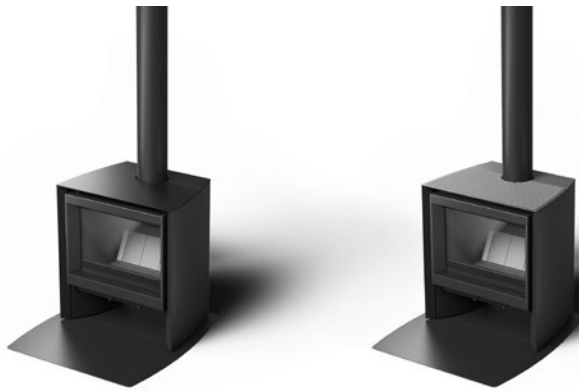
	56/50	66/55	76/60
[A] Width	600 mm	700 mm	800 mm
[B] Depth	430 mm	430 mm	430 mm
[C] Height	650 mm	725 mm	800 mm
[D] Flue axis - side	300 mm	350 mm	400 mm
[E] Flue axis - rear	124 mm	124 mm	124 mm
[F] Smoke outlet diameter	130 mm	150 mm	150 mm
[G] Front radiation zone	1100 mm	1500 mm	1500 mm
Ø External air connection	80 mm	80 mm	80 mm
Optional ventilation kit	-	-	-
Colour	StûvBlack	StûvBlack	StûvBlack

Glass

	56/50	66/55	76/60
Width	420 mm	520 mm	620 mm
Height	305 mm	355 mm	405 mm



s6-H 66/55 - Steel



Shelves

Material	Steel	Cast iron (ribbed)
----------	-------	--------------------

Floor plates

	56/50	66/55	76/60
Width	690 mm	790 mm	890 mm
Depth	780 mm	780 mm	780 mm

REMOVE

FUNCTIONS



S[6]

[SIMPLE] Simplicity is the watchword in the design of this appliance. In terms of design, installation, operation and maintenance. [ADAPTED] The availability of the insert in several formats and configurations means that it can be integrated into a wide range of existing fireplac-

es, including small ones. [PANORAMIC] All models, including the smallest, offer a very wide view of the fire through the enlarged glass front. [PERFORMANT] Confined in a small-volume cast-iron chamber, the fire develops less power while maximising the quality of combustion. [ECONOMICAL] Its low wood consumption combined with its high performance makes it even more economical to use. [CLEAN] For an impeccable view of the fire, a stream of air sweeps across the glass and carries away the dust that comes from combustion. [FLEXIBLE] The appliance can be connected from the back or from the top, to cover a wider range of integration projects. [CLEVER] The integrated handle enhances the clean lines of the model and reflects the attention paid to detail.

The Stûv families

s[6]



s[16]



s[30]



s[μ M]



s[21]



s[22]

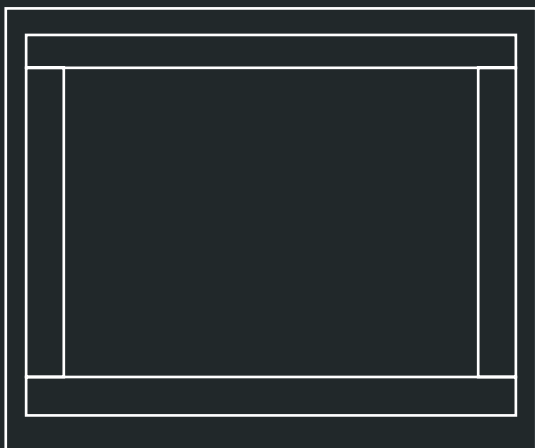


s[P10]



s[P20]





Documents and photos are not contractual. Stûv reserves the right to make changes without notice.
This catalogue has been carefully compiled; however, we decline all responsibility for any errors.

Stûv fireplaces are designed and manufactured by Stûv sa - Belgium - stuv.com