

**stûv**

**[03] S**

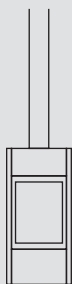
The  
essential  
fire

Revolutionary with its "3 in 1" system, the s30 family offers three modes of use: glass door, solid door and loading door. Switching from one mode to the other is a simple gesture. Powerful, economical and easy to maintain, s30s are available in a range of configurations. They come with a range of practical and attractive accessories.

## wood-burning stoves

---

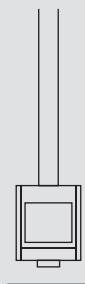
freestanding appliances that require  
no finishing work to install



s[30] p.4



s[30]H p.12

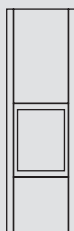


s[30]up p.22

## wood-burning insert

---

appliance to be integrated  
into a wall or chimney breast



s[30]in p.30







Solid door

The s30 is the only wood-burning stove in the world equipped with three doors, enabling three distinct modes of use. This innovative appliance offers three ways to enjoy the warmth of a wood fire. A market-exclusive concept, it has revolutionised the stove and fireplace industry. Easy to use — simply turn the rotating drum with the removable key to switch from one door to another.



Loading door



Glass door



Choosing Stûv means ensuring a very high level of satisfaction.

## s[30]

---



Emblematic of Stûv, the s30 can be installed in a 360° rotating configuration so that the stove can be oriented in the desired direction.

The s30 offers high-efficiency combustion combined with a wide range of uses. Harmonious and efficient, it combines ease of use with the pleasure of seeing the fire.

---

Performance\*

Energy efficiency class

---

Energy efficiency index

---

Output

---

Output range

---

Nominal efficiency

---

Seasonal efficiency

---

Fine particle emissions

---

CO emissions

---

NOx emissions

---

COV/COG emissions

---

Range of wood consumption

---

s[30]

---

---

Logs - Maximum length

---

Weight

---

Standards

---

A+

---

107

---

9,5 kW

---

4,6 - 13,5 kW

---

80,8 %

---

70,8 %

---

22 mg/Nm<sup>3</sup>

---

0,04 % / 421 mg/Nm<sup>3</sup>

---

99 mg/Nm<sup>3</sup>

---

17 mg/Nm<sup>3</sup>

---

1,3 - 3,9 kg/h

---



---

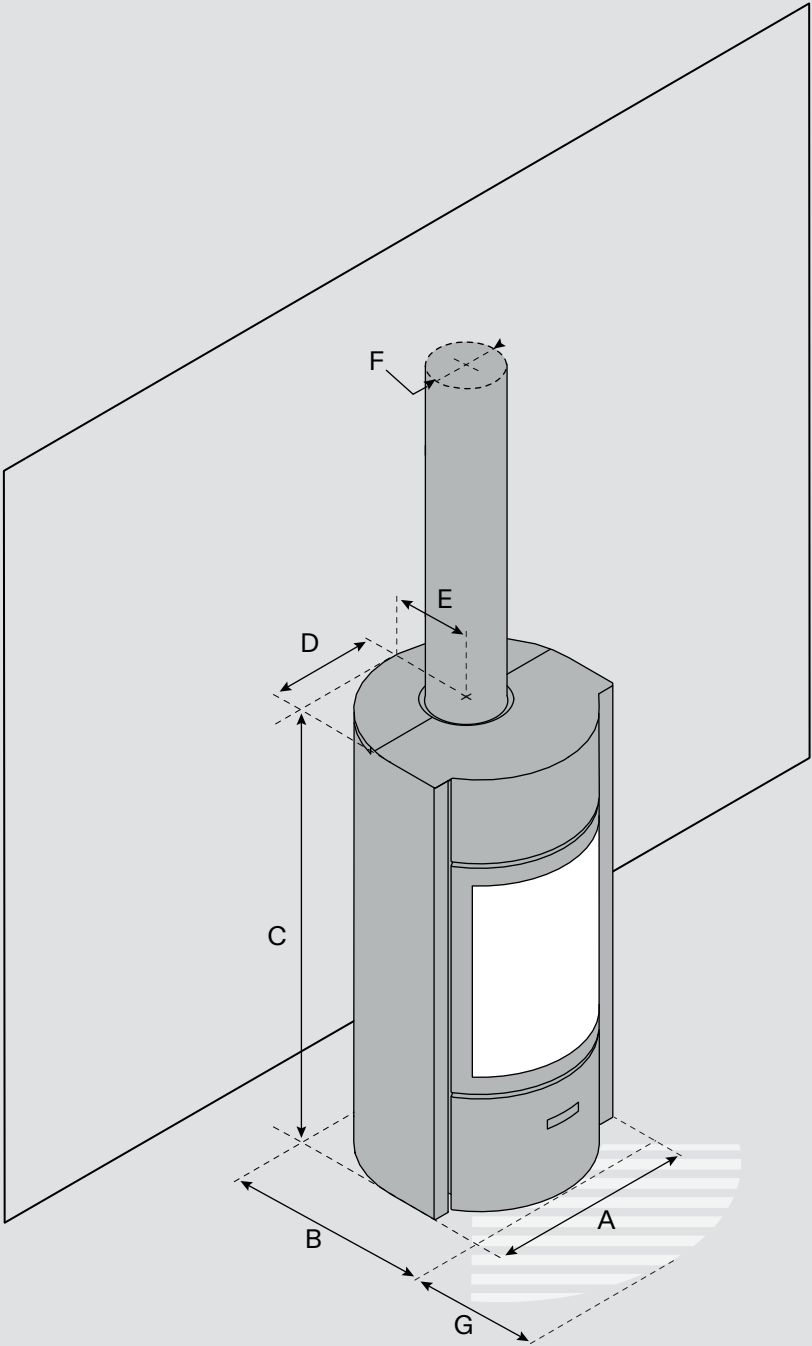
50 cm

---

215 kg

---

EcoDesign 2022



# s[30]

---

[A] Width	575 mm
[B] Depth	560 mm
[C] Height	1230 mm
[D] Flue axis - side	287 mm
[E] Flue axis - rear	237 mm
[F] Smoke outlet diameter	150/180 mm
[G] Forward radiation zone	1300 mm*
Ø External air connection	100 mm
Colour	StüvGrey

## Glass

---

Width	405 mm
Height	535 mm

\* Caution: when using the turntable (rotating top exit kit), the minimum safety distance from walls that may face the glass is 1300 mm.

The appliance must be professionally installed by an authorised dealer/installer. To ensure the performance and compliance of your appliance, refer exclusively to the installation manual available at [www.stuv.com](http://www.stuv.com)



Shared  
warmth



Choosing Stûv means opting for the quality of your stove.

## s[30]H

---



The powerful s30-H offers a number of options, such as an accumulation system that stores part of the heat for prolonged diffusion in off mode.

The s30-H can also be supplied in a pivoting configuration. It can be rotated up to 360°, so you can turn the stove in the direction you want.



### Ignition

Most of the heat warms the room, while part of it is stored in the accumulator.



### Accumulation

A full door reduces radiant heat through the glass and focuses energy into the accumulator.



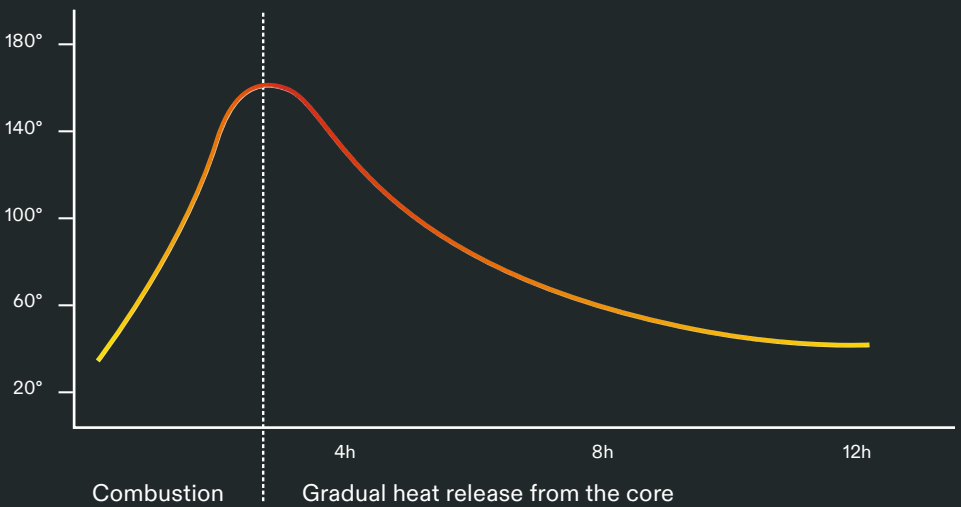
### Heat release

Once the fire goes out, the stored heat is gradually released.

The s30-H can be fitted with a heat-retaining core that stores part of the heat. After the fire has gone out, the stored energy is gradually released over several hours, extending the sensation of warmth and comfort.

## Accumulator core

---



---

Performance\*

Energy efficiency class

---

Energy efficiency index

---

Output

---

Output range

---

Nominal efficiency

---

Seasonal efficiency

---

Fine particle emissions

---

CO emissions

---

NOx emissions

---

COV/COG emissions

---

Range of wood consumption

---

s[30]H

---

---

Logs - Maximum length

---

Weight

---

Standards

---

A+

---

107

---

9,5 kW

---

4,6 - 13,5 kW

---

80,8 %

---

70,8 %

---

22 mg/Nm<sup>3</sup>

---

0,04% / 421 mg/Nm<sup>3</sup>

---

99 mg/Nm<sup>3</sup>

---

17 mg/Nm<sup>3</sup>

---

1,3 - 3,9 kg/h

---



---

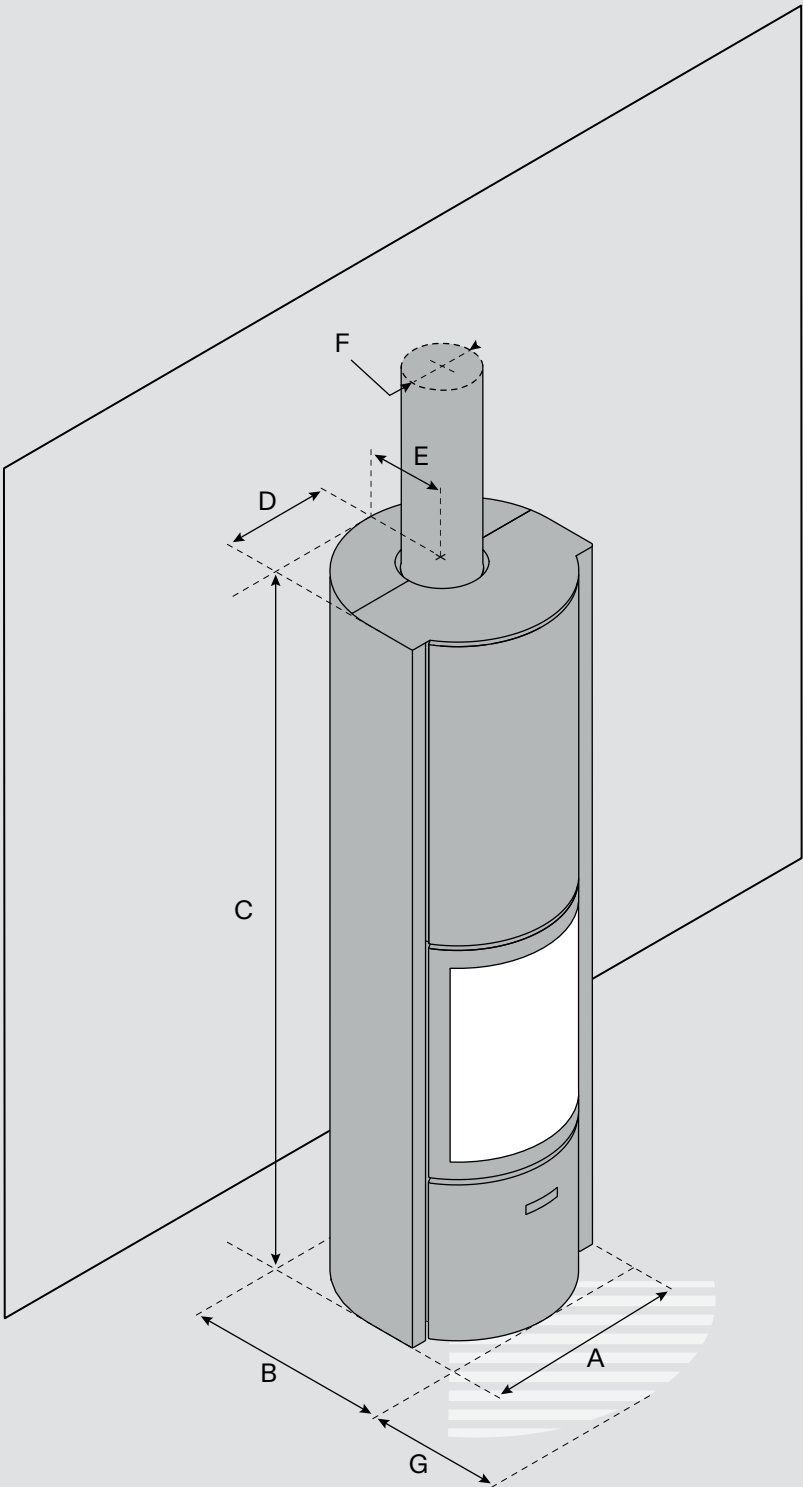
50 cm

---

220 kg / 366 kg (with refractory brick)

---

EcoDesign 2022



# s[30]H

---

[A] Width	575 mm
[B] Depth	560 mm
[C] Height	1950 mm
[D] Flue axis - side	287 mm
[E] Flue axis - rear	237 mm
[F] Smoke outlet diameter	180 mm
[G] Forward radiation zone	1300 mm*
Ø External air connection	100 mm
Colour	StüvGrey

## Glass

---

Width	405 mm
Height	535 mm

\* Caution: when using the turntable (rotating top exit kit), the minimum safety distance from walls that may face the glass is 1300 mm.

The appliance must be professionally installed by an authorised dealer/installer. To ensure the performance and compliance of your appliance, refer exclusively to the installation manual available at [www.stuv.com](http://www.stuv.com)



Burning  
heart



Choosing Stûv means indulging yourself all the way.

## s[30]up

---



Elegant and efficient, this suspended fireplace creates a feeling of space while offering an unobstructed view of the flame.

It also features Stûv's revolutionary "3 in 1" system. system, the s30-up is ideal for small, space-saving spaces.

---

Performance\*

Energy efficiency class

---

Energy efficiency index

---

Output

---

Output range

---

Nominal efficiency

---

Seasonal efficiency

---

Fine particle emissions

---

CO emissions

---

NOx emissions

---

COV/COG emissions

---

Range of wood consumption

---

s[30]up

---

---

Logs - Maximum length

---

Weight

---

Standards

---

A+

---

110

---

8,3 kW

---

4,1 - 12,1 kW

---

82,7 %

---

72,7 %

---

38 mg/Nm<sup>3</sup>

---

0,05 % / 564 mg/Nm<sup>3</sup>

---

115 mg/Nm<sup>3</sup>

---

18 mg/Nm<sup>3</sup>

---

1,2 - 3,5 kg/h



---

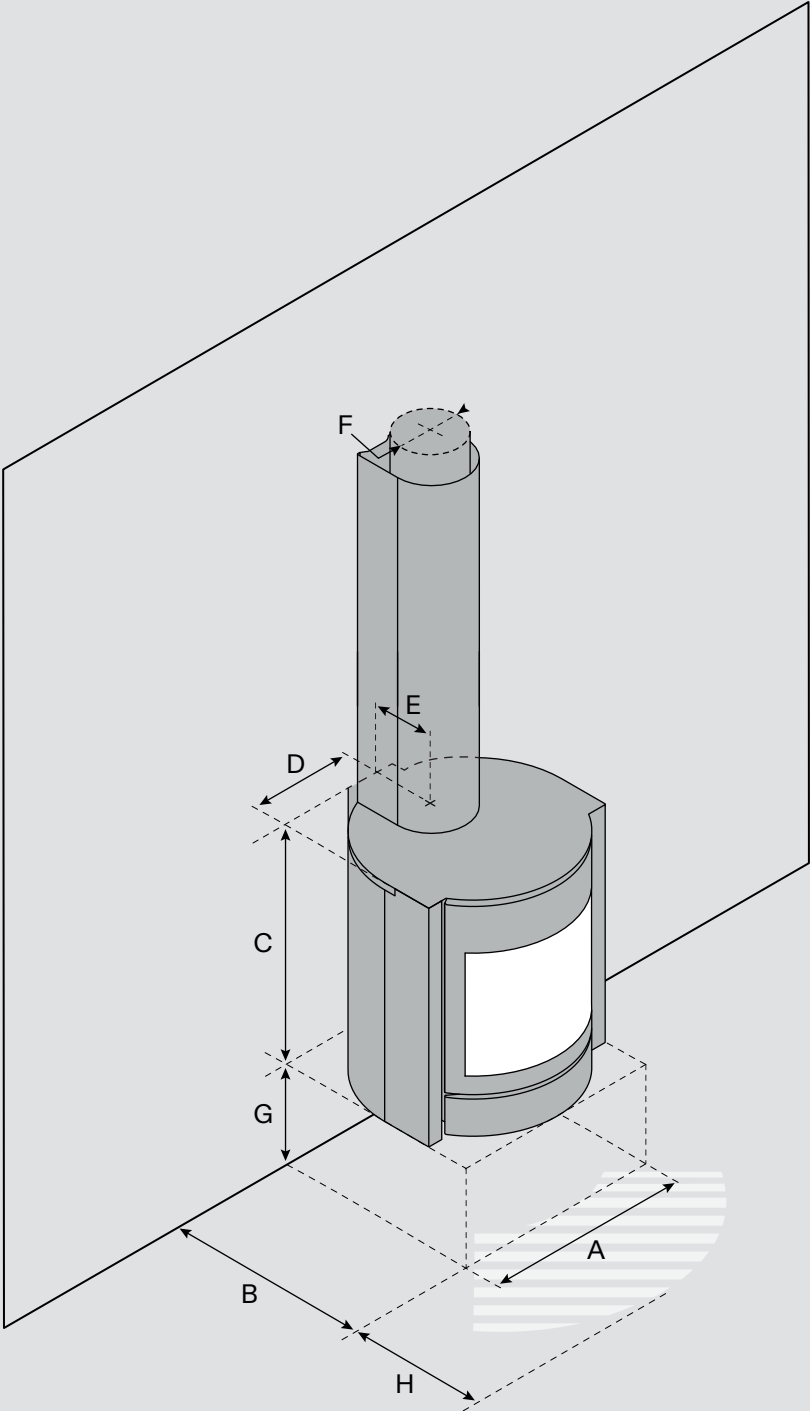
33 cm

---

151 kg

---

EcoDesign 2022



# s[30]up

---

[A] Width	575 mm
[B] Depth	605 mm
[C] Height	745 mm
[D] Flue axis - side	287 mm
[E] Flue axis - rear wall	190 mm
[F] Smoke outlet diameter	180 mm
[G] Lower clearance	330 mm
[H] Forward radiation zone	1350 mm
Ø External air connection	63 mm
Optional ventilation kit	-
Colour	StûvGrey

## Glass

---

Width	405 mm
Height	345 mm



Suspended  
moments



Choosing Stûv means taking care of your environment.

## s[30]in

---



Easy to install, the s30-in is designed to be built into a partition or existing masonry. Stûv also offers innovative ready-to-install solutions.

Equipped with the "3 in 1" system, for three modes of use, the insert offers a full view of the flames, enhanced by a gentle enveloping warmth.

---

Performance\*

Energy efficiency class

---

Energy efficiency index

---

Output

---

Output range

---

Nominal efficiency

---

Seasonal efficiency

---

Fine particle emissions

---

CO emissions

---

NOx emissions

---

COV/COG emissions

---

Range of wood consumption

---

s[30]in

---

---

Logs - Maximum length

---

Weight

---

Standards

---

A+

---

107

---

9,5 kW

---

4,6 - 13,5 kW

---

80,8 %

---

70,8 %

---

22 mg/Nm<sup>3</sup>

---

0,04 % / 421 mg/Nm<sup>3</sup>

---

99 mg/Nm<sup>3</sup>

---

17 mg/Nm<sup>3</sup>

---

1,3 - 3,9 kg/h

---



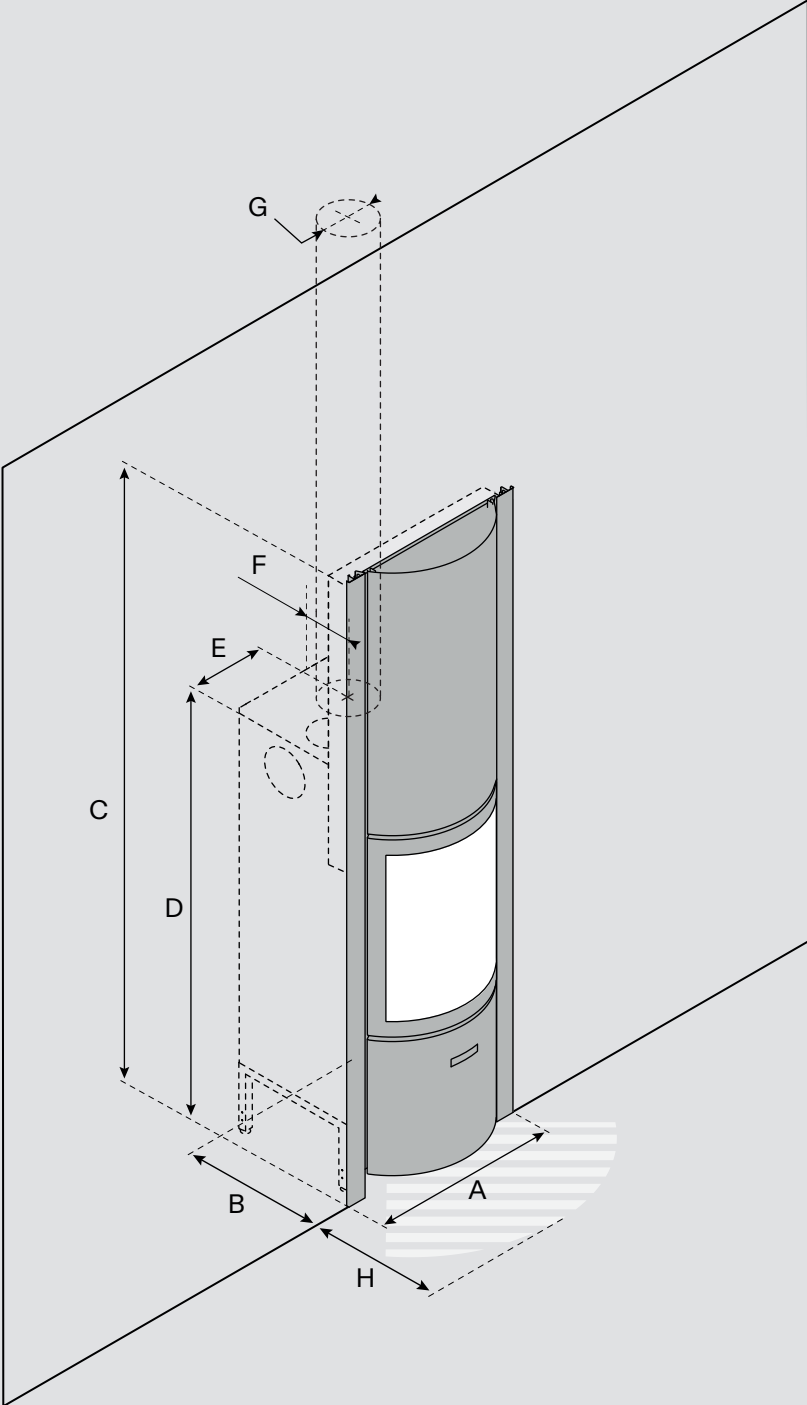
50 cm

---

200 kg

---

EcoDesign 2022



# s[30]in

---

[A] Total firebox width	607 mm*
[B] Built-in depth	460 mm*
[C] Built-in height	2000 mm - 2800 mm*
[D] Height below smoke outlet	1346 mm
[E] Flue axis - side	295 mm
[F] Flue axis - rear	185 mm
[G] Smoke outlet diameter	180 mm
[H] Forward radiation zone	1400 mm
Ø External air connection	100 mm
Optional ventilation kit	✓
Colour	StövGrey

## Glass

---

Width	405 mm
Height	535 mm

\* Caution: be sure to add the insulation thicknesses defined by your local regulations to the dimensions of the recess.

The appliance must be professionally installed by an authorised dealer/installer. To ensure the performance and compliance of your appliance, refer exclusively to the installation manual available at [www.stuv.com](http://www.stuv.com)



## Additional top s30-in

---



## Front panels s30-in

---



Wide symmetrical



Narrow symmetrical



Asymmetrical right or left

## Ready-to-install s30-in

---



Wide symmetrical



Narrow symmetrical

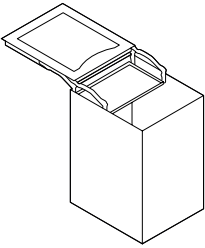


Asymmetrical right or left

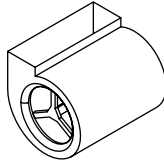


## Accessories

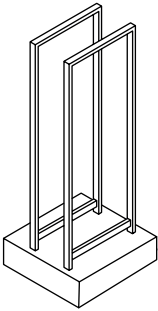
---



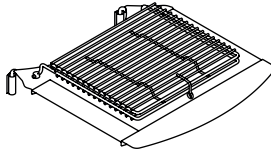
Mobilobox



Ventilator



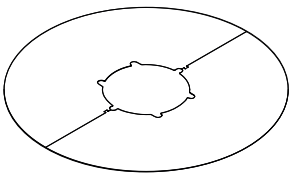
Log rack



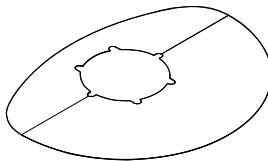
BBQ kit

## Floor plates

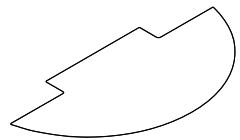
---



Round



Oval



For s30-in

REMOVE

# FUNCTIONS



# s[30]

[SIMPLE] Simplicity is the watchword in the design of this appliance. In terms of design, installation, operation and maintenance.

[UNIQUE] The unique, patented 3-mode operating system has revolutionised the contemporary wood-burning stove sector. It is an asset in terms of both use and

operation. [POWERFUL] This high-performance stove offers high-efficiency combustion. The refractory bricks inside the heating element store the heat and release it constantly and abundantly. [ACCUMULATOR] The s30-H model can be fitted with an accumulation system that stores heat and releases it slowly, over several hours, long after the fire has gone out. This option prolongs the feeling of warmth and well-being, particularly in homes with low thermal efficiency. [PRACTICAL] A chimney sweeping hatch is standard and accessible, making it easy to maintain the flue (except on the s30-up). [CLEVER] A large ash drawer is fitted to all models (except the s30-up). This reduces the frequency of maintenance and greatly simplifies it. [CLEAN] For an impeccable view of the fire, a stream of air sweeps across the glass and carries away the dust that comes from combustion. [DURABLE] High-quality materials, precise assembly and a simple shape are just some of the advantages that ensure its longevity.

---

# The Stûv families

s[6]



s[16]



s[30]



s[ $\mu$ M]



---

s[21]



s[22]

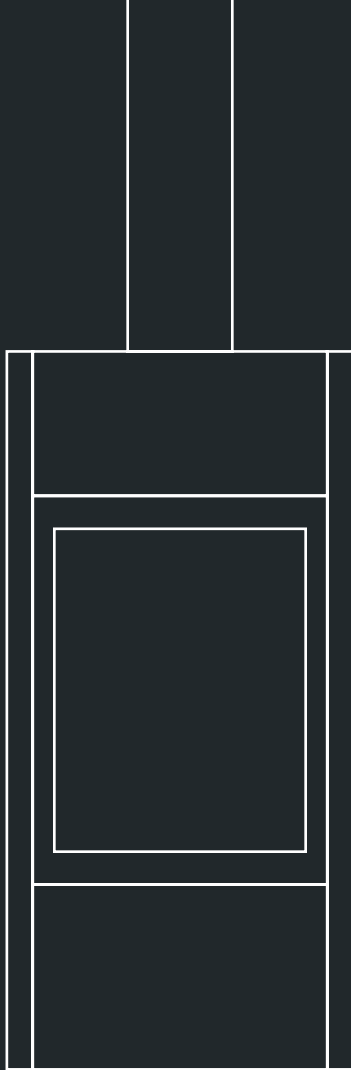


s[P10]



s[P20]





Documents and photos are not contractual. Stûv reserves the right to make changes without notice.  
This catalogue has been carefully compiled; however, we decline all responsibility for any errors.

Stûv fireplaces are designed and manufactured by Stûv sa - Belgium - [stuv.com](http://stuv.com)