

6-H - 60x65 | The stove

stuv

enjoyment of the fire

expanded view on the fire
 precise control of the combustion
 natural convection

aesthetics

continuous curve
 formal simplicity
 suitable for all types of interiors

economical

low wood consumption
 high efficiency

peu pollutant

low emission of fine particles

smoke outlet

rear or vertical

external air inlet

from below or from behind



TECHNICAL OVERVIEW

GENERAL

| | |
|---------------|-------------------|
| TYPE OF STOVE | stove |
| MATERIALS | steel + cast iron |
| COLOUR | Stuv Black |
| LOADING | manual |
| FUEL | wood |
| LOG POSITION | horizontal |
| LOG LENGTH | 33 cm |

WEIGHT / SIZE

| | |
|------------------------|-------|
| WEIGHT | |
| Ø OF SMOKE FLUE | 130mm |
| Ø OF OUTSIDE AIR INLET | 80mm |

AIR

| | |
|------------------------|-------------------------|
| DIRECT EXTERNAL INLET | <input type="radio"/> * |
| PRIMARY AIR CONTROL | ✓ |
| SECONDARY AIR CONTROL | ✓ |
| POST-COMBUSTION | ✓ |
| AIR-TIGHTNESS | ++++ |
| OVER-HEATING INDICATOR | ✓ |

* Below or rear intake

PERFORMANCE

| | |
|--|-----------------------|
| NOMINAL OUTPUT | 5,9 kW |
| OUTPUT RANGE | 4-9 kW |
| EFFICIENCY | 79 % |
| CO EMISSIONS | 0,07 % |
| FINE PARTICLE EMISSIONS | 24 mg/Nm ³ |
| WOOD CONSUMPTION RANGE | 1,1-2,5 kg |
| MINIMUM DRAW | 12 Pa |
| SMOKE MASS FLOW | 5,6 g/s |
| AVERAGE TEMP. OF SMOKE | 338 °C |
| CONSUMPTION OF ROOM AIR FOR COMBUSTION | 15 m ³ /h |
| ENERGY EFFICIENCY INDEX (EEI) | 106 |
| ENERGY EFFICIENCY CLASS | A |

MINIMUM SAFETY DISTANCE FOR COMBUSTIBLE MATERIALS

| | |
|-------------|--------|
| BACK FACE | 7,5 cm |
| SIDE FACE | 15 cm |
| TOP FACE | 0 cm |
| BOTTOM FACE | - |

ACCESSORIES / EQUIPMENT

| | |
|-------------|-----------------------|
| FLOOR PLATE | <input type="radio"/> |
| COOKTOP | <input type="radio"/> |

LEGEND

| | |
|---|-------------|
| ✓ | STANDARD |
| ✗ | UNAVAILABLE |
| ○ | OPTIONAL |

Conforms with:



6-H - 70x73 | The stove



| | |
|------------------------------|--|
| enjoyment of the fire | expanded view on the fire precise control of the combustion natural convection |
| aesthetics | continuous curve formal simplicity suitable for all types of interiors |
| economical | low wood consumption high efficiency |
| peu pollutant | low emission of fine particles |
| smoke outlet | rear or vertical |
| external air inlet | from below or from behind |



TECHNICAL OVERVIEW

| | |
|------------------------|-------------------|
| GENERAL | |
| TYPE OF STOVE | stove |
| MATERIALS | steel + cast iron |
| COLOUR | Stûv Black |
| LOADING | manual |
| FUEL | wood |
| LOG POSITION | horizontal |
| LOG LENGTH | 40 cm |
| WEIGHT / SIZE | |
| WEIGHT | |
| Ø OF SMOKE FLUE | 150 mm |
| Ø OF OUTSIDE AIR INLET | 80 mm |

| | |
|-----------------------|------|
| AIR | |
| DIRECT EXTERNAL INLET | ○* |
| PRIMARY AIR CONTROL | ✓ |
| SECONDARY AIR CONTROL | ✓ |
| POST-COMBUSTION | ✓ |
| AIR-TIGHTNESS | ++++ |
| OVERHEATING INDICATOR | ✓ |

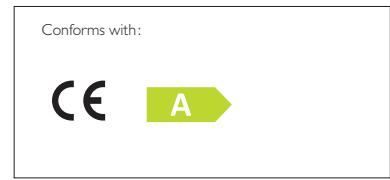
* Below or rear intake

| | |
|--|---------------|
| PERFORMANCE | |
| NOMINAL OUTPUT | 7,2 kW |
| OUTPUT RANGE | 4,5 - 10,7 kW |
| EFFICIENCY | 79 % |
| CO EMISSIONS | 0,07 % |
| FINE PARTICLE EMISSIONS | 24 mg/Nm³ |
| WOOD CONSUMPTION RANGE | 1,3 - 3,1 kg |
| MINIMUM DRAW | 12 Pa |
| SMOKE MASS FLOW | 7 g/s |
| AVERAGE TEMP. OF SMOKE | |
| CONSUMPTION OF ROOM AIR FOR COMBUSTION | 15 m³/h |
| ENERGY EFFICIENCY INDEX (EEI) | 105 |
| ENERGY EFFICIENCY CLASS | A |

| | |
|--|--------|
| MINIMUM SAFETY DISTANCE FOR COMBUSTIBLE MATERIALS | |
| BACK FACE | 7,5 cm |
| SIDE FACE | 15 cm |
| TOP FACE | 0 cm |
| BOTTOM FACE | - |

| | |
|--------------------------------|---|
| ACCESSORIES / EQUIPMENT | |
| FLOOR PLATE | ○ |
| COOKTOP | ○ |

| | |
|---------------|-------------|
| LEGEND | |
| ✓ | STANDARD |
| ✗ | UNAVAILABLE |
| ○ | OPTIONAL |



6-H - 80x80 | The stove

stuv

enjoyment of the fire

expanded view on the fire
 precise control of the combustion
 natural convection

aesthetics

continuous curve
 formal simplicity
 suitable for all types of interiors

economical

low wood consumption
 high efficiency

peu pollutant

low emission of fine particles

smoke outlet

rear or vertical

external air inlet

from below or from behind



TECHNICAL OVERVIEW

GENERAL

| | |
|---------------|-------------------|
| TYPE OF STOVE | stove |
| MATERIALS | steel + cast iron |
| COLOUR | Stuv Black |
| LOADING | manual |
| FUEL | wood |
| LOG POSITION | horizontal |
| LOG LENGTH | 50 cm |

WEIGHT / SIZE

| | |
|------------------------|--------|
| WEIGHT | |
| Ø OF SMOKE FLUE | 150 mm |
| Ø OF OUTSIDE AIR INLET | 80 mm |

AIR

| | |
|------------------------|-------------------------|
| DIRECT EXTERNAL INLET | <input type="radio"/> * |
| PRIMARY AIR CONTROL | ✓ |
| SECONDARY AIR CONTROL | ✓ |
| POST-COMBUSTION | ✓ |
| AIR-TIGHTNESS | ++++ |
| OVER-HEATING INDICATOR | ✓ |

* Below or rear intake

PERFORMANCE

| | |
|--|-----------------------|
| NOMINAL OUTPUT | 8,4 kW |
| OUTPUT RANGE | 5 - 13 kW |
| EFFICIENCY | 79 % |
| CO EMISSIONS | 0,06 % |
| FINE PARTICLE EMISSIONS | 21 mg/Nm ³ |
| WOOD CONSUMPTION RANGE | 1,4 - 2,9 kg |
| MINIMUM DRAW | 12 Pa |
| SMOKE MASS FLOW | 8,4 g/s |
| AVERAGE TEMP. OF SMOKE | 284 °C |
| CONSUMPTION OF ROOM AIR FOR COMBUSTION | 20 m ³ /h |
| ENERGY EFFICIENCY INDEX (EEI) | 105 |
| ENERGY EFFICIENCY CLASS | A |

MINIMUM SAFETY DISTANCE FOR COMBUSTIBLE MATERIALS

| | |
|-------------|--------|
| BACK FACE | 7,5 cm |
| SIDE FACE | 15 cm |
| TOP FACE | 0 cm |
| BOTTOM FACE | - |

ACCESSORIES / EQUIPMENT

| | |
|-------------|-----------------------|
| FLOOR PLATE | <input type="radio"/> |
| COOKTOP | <input type="radio"/> |

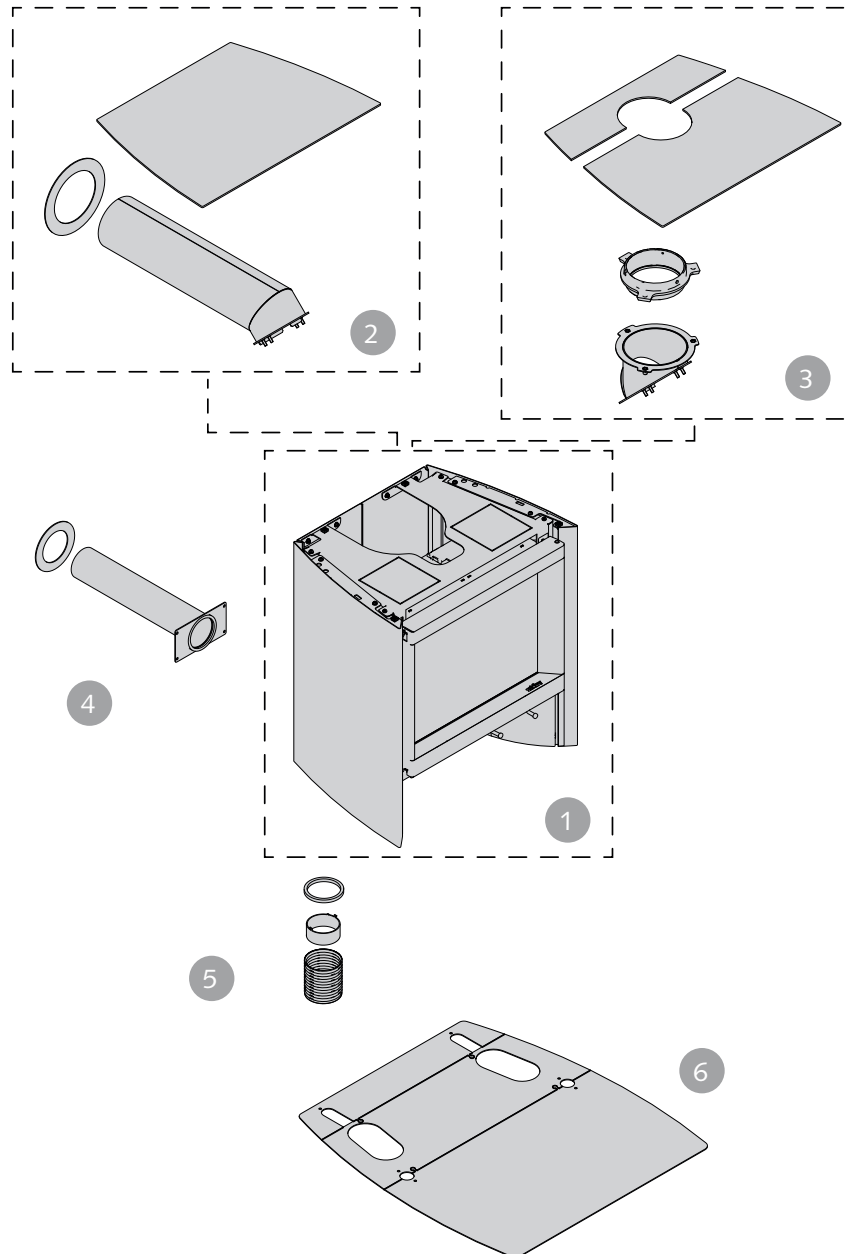
LEGEND

| | |
|---|-------------|
| ✓ | STANDARD |
| ✗ | UNAVAILABLE |
| ○ | OPTIONAL |

Conforms with:



OVERVIEW



THE DEVICE

1. Stove

DUCT CONNECTION
OF SMOKE EVACUATION

2. Smoke outlet to the rear and matching finishing shelf
3. Smoke outlet upwards and matching finishing tablet

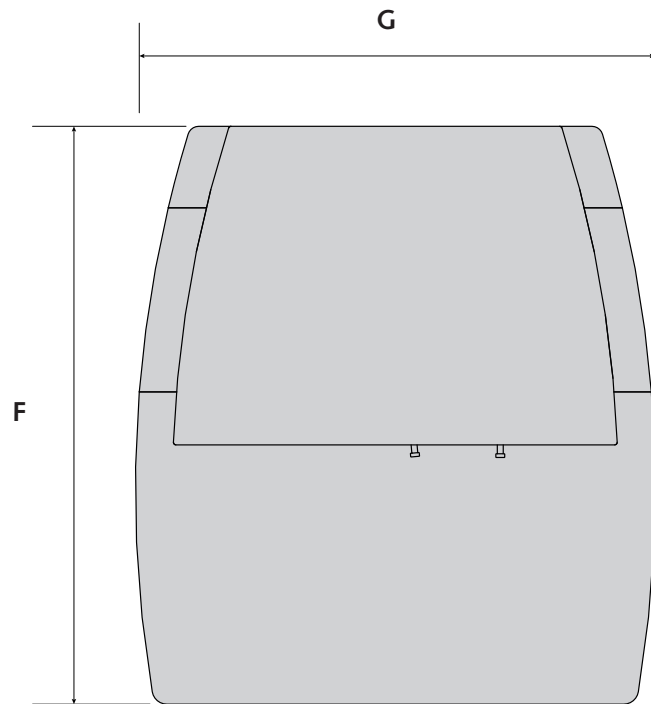
OPTIONS

4. Outside air connection kit from the rear Ø80mm
5. Outside air connection kit from below Ø80mm
6. Floor plate

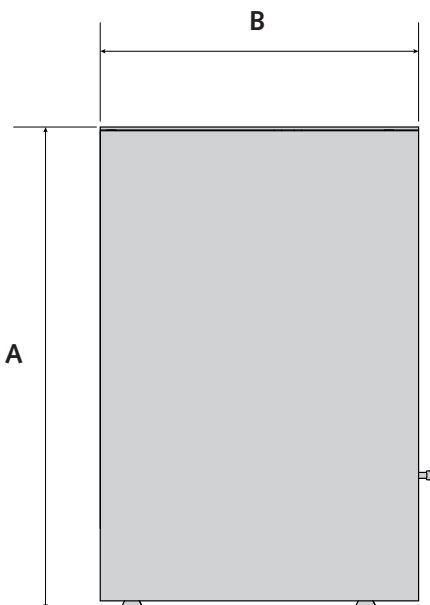
Stûv 6-H | The stove



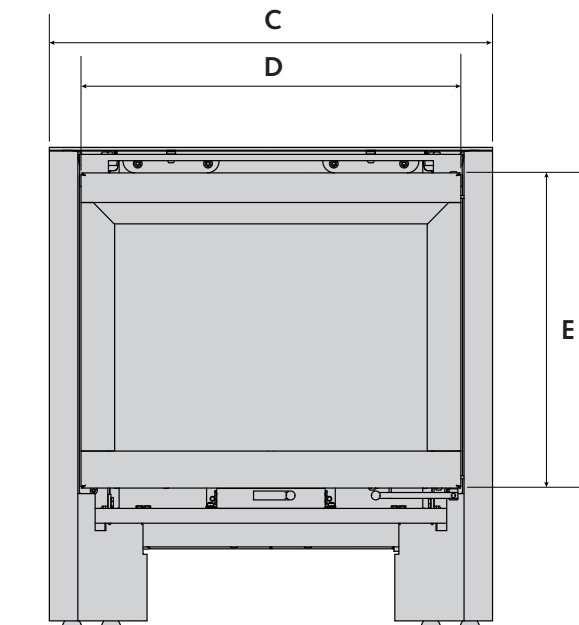
DIMENSIONS OF THE DEVICE AND FLOOR PLATE (OPTIONAL)



View from the top



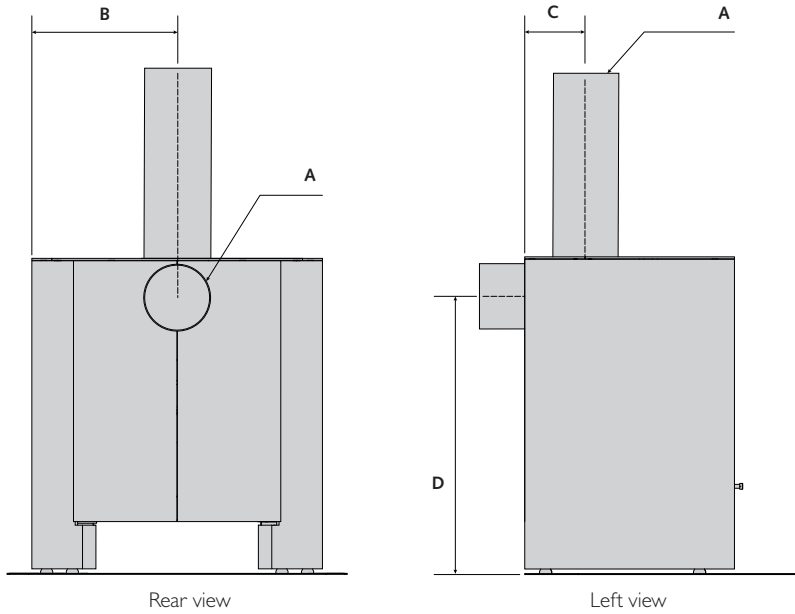
Left view



Front view

| DIMENSIONS (MM) | A | B | C | D | E | F | G |
|-----------------|-----|-----|-----|-----|-----|-----|-----|
| Stûv 6-H 60x65 | 650 | 430 | 600 | 513 | 426 | 780 | 700 |
| Stûv 6-H 70x73 | 725 | 430 | 700 | 613 | 476 | 780 | 800 |
| Stûv 6-H 80x80 | 800 | 430 | 800 | 713 | 526 | 780 | 900 |

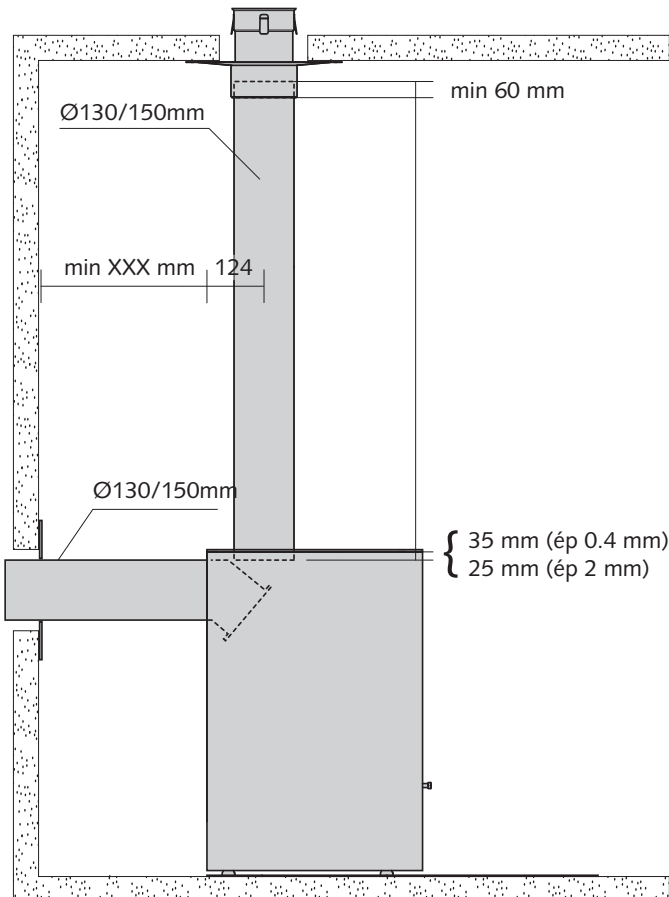
DIMENSIONS AND POSITIONS OF THE SMOKE OUTLETS



| DIMENSIONS (MM) | A | B |
|-----------------|-------|-----|
| Stûv 6-H 60x65 | Ø 130 | 300 |
| Stûv 6-H 70x73 | Ø 150 | 350 |
| Stûv 6-H 80x80 | Ø 150 | 400 |

| DIMENSIONS (MM) | C | D |
|-----------------|-----|------|
| Stûv 6-H 60x65 | 124 | 562* |
| Stûv 6-H 70x73 | 124 | 637* |
| Stûv 6-H 80x80 | 124 | 712* |

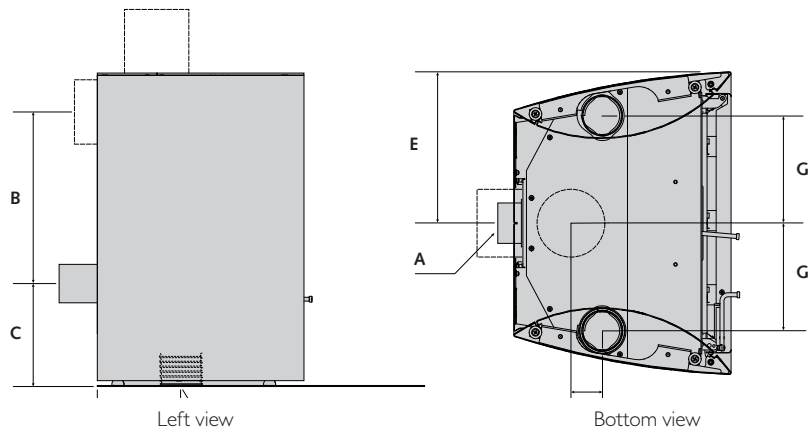
* -0 / +10 mm



Stûv 6-H | The stove

stûv

DIMENSIONS AND POSITIONS OF THE COMBUSTION AIR INLETS



| DIMENSIONS (MM) | A | B | C | D | E | F | G |
|-----------------|------|-----|------|-----|-----|----|-----|
| Stûv 6-H 60x65 | Ø 80 | 357 | 212* | 175 | 300 | 50 | 213 |
| Stûv 6-H 70x73 | Ø 80 | 400 | 237* | 175 | 350 | 50 | 263 |
| Stûv 6-H 80x80 | Ø 80 | 450 | 262* | 175 | 400 | 50 | 313 |

* -0 / +10 mm

