



®







# LET'S GO OUTSIDE

WE SEEK THE BLUE, OPEN SKIES.  
THE SILENCE OF THE FOREST.  
THE QUIET, RUGGED BEACH.

Out there under the blue sky, we unplug.  
We slow down.  
Turn our back on everyday routines.

We embrace the small joys.  
The simple life.  
A swallow in the sky.  
Trees bending in the wind.  
The lapping of the waves.

Back home, the crackling fire completes the day.

Find time to enjoy  
Find time to enjoy the here and now  
with a wood-burning stove or fireplace insert from RAIS.

Explore our comprehensive collection,  
find out how you can design your own wood-burning stove  
and be inspired by magnificent homes in beautiful natural settings.

Enjoy!





## CONTENTS

STOVES	08		
Pilar	16	New	
Nexo	20	New	
Viva L	28		
Rina	36		
Q-Be	38		
Q-Tee	40		
Q-Tee 2	44		
Q-Tee 2 C	46		
SOAPSTONE/CERAMIC			
Juno	48		
Poleo	50		
Rina	51		
Juno Ceramic	52		
INSERTS	54		
Visio	58	New	
500	68		
600	72	New	
700	78		
900	79		
2:1	80		
Q-Tee insert	82		
Q-Be insert	83		
INTERIOR	84	New	
ACCESSORIES	94		
OUTDOOR	100		
SPECIFICATIONS	108		





# ADD A PERSONAL TOUCH TO YOUR HOME DECOR

DO YOU PREFER A HOME THAT REFLECTS YOUR TASTE AND PERSONALITY?

With a RAIS wood-burning stove, you have the ultimate freedom to design a stove that matches your individual taste. Unleash your inner designer, choose between a vast variety of options and design your personal one-of-a-kind wood-burning stove.

There is also the option to choose from our comprehensive collection of fireplace inserts. No matter whether you are building a new home or simply renovating the old one, a fireplace insert might just be that small detail that brings character and personality to your home decor.



Photo: Maria Vous



Photo: Elisabeth Kruse



Photo: Elisabeth Kruse

## AMID FAROESE GEESE

Amid Faroese geese and waterfalls, an old family home has been renovated with a keen eye for the beautiful details of the past. The heart of the house is a Visio.





### A HOUSE IN THE TREETOPS

In a Norwegian forest, a family's ultimate dream of a holiday home has come true.

We visit their beautiful treetop house fully equipped with kitchen, bathroom and a Q-Tee wood-burning stove.



### COSY CABIN VIBE

At a Danish summer cabin with magnificent fjord views, RAIS creates a cosy fireplace vibe.

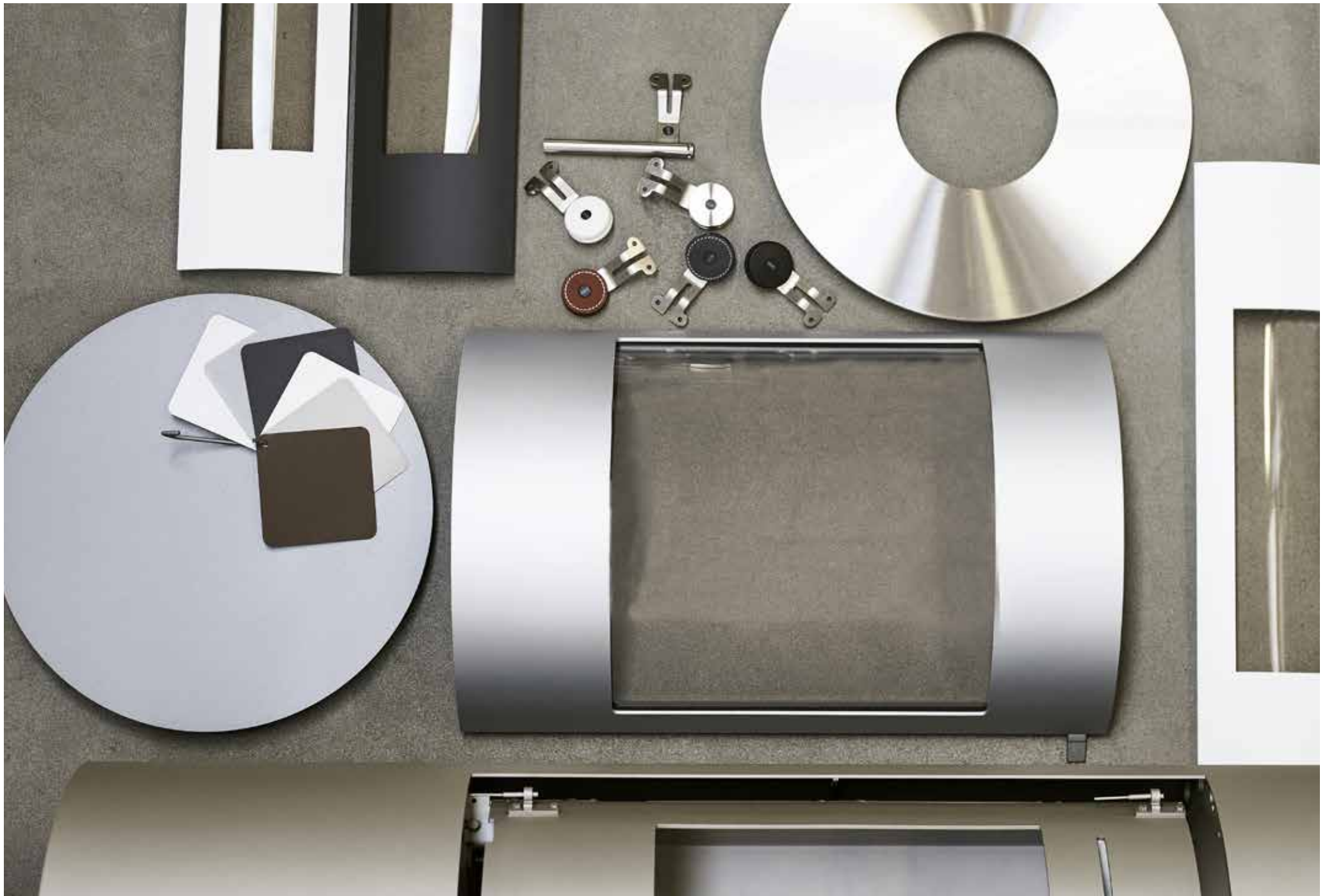


# STOVES











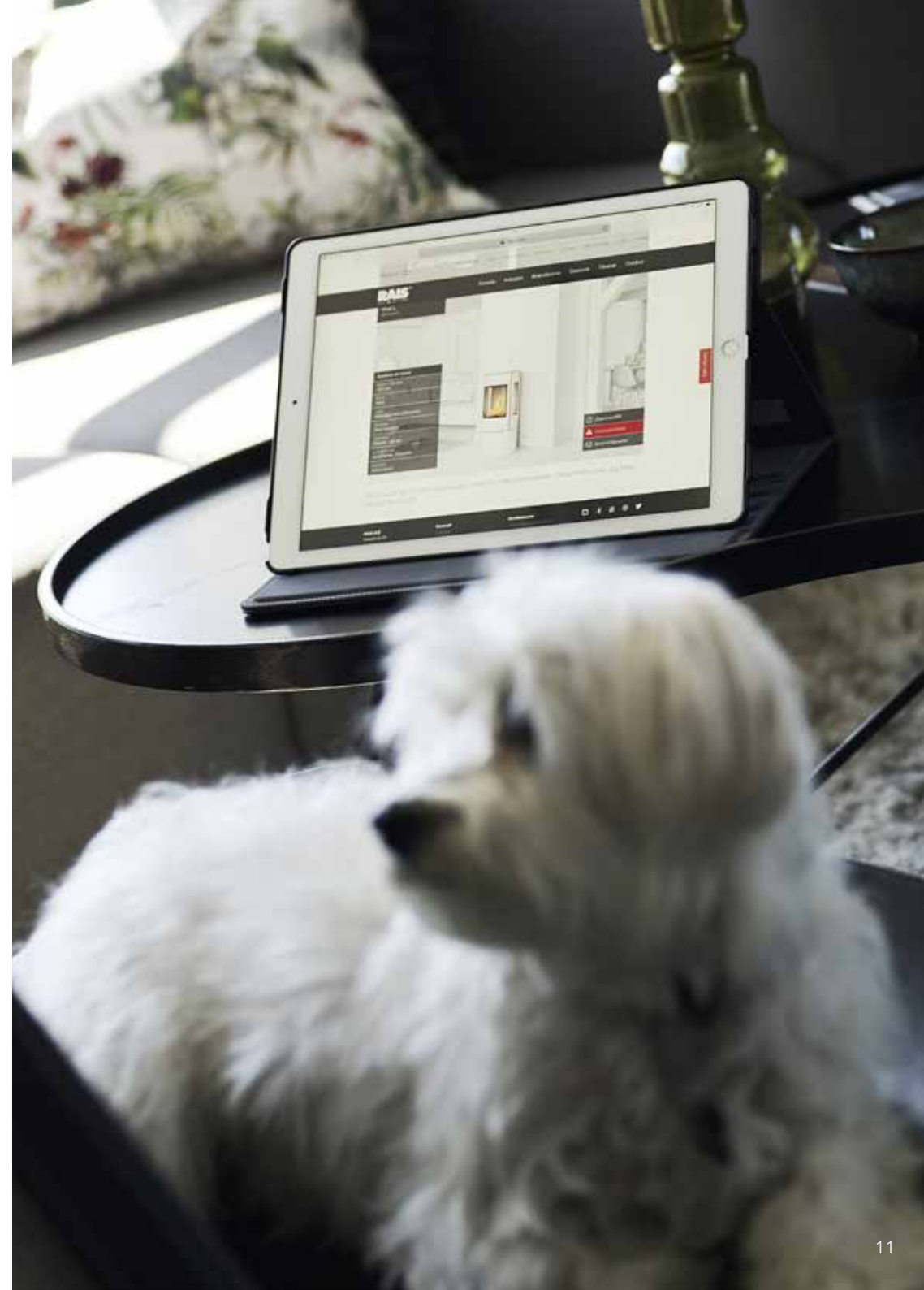
# DESIGN YOUR OWN WOOD-BURNING STOVE

USE OUR CUSTOMIZER AND DESIGN YOUR OWN WOOD-BURNING STOVE.  
EXPLORE THE MANY OPTIONS AND CREATE A PERSONALISED DESIGN.

Use the Customizer feature on our website [www.rais.com](http://www.rais.com) to easily design your own wood-burning stove and to explore our comprehensive range of design options, before you make up your mind.

We invite you to mix, match and experiment until you find your preferred style and look.

*Customized*





## NORDIC SHADES

At RAIS, wood burning stoves are not necessarily black. Instead you are free to choose from a beautiful selection of popular, Nordic shades that break with tradition and add a unique touch to our wood-burning stoves.

Visit [www.rais.com](http://www.rais.com) to try our Customizer feature and to find your favourite colour.



## TALL OR SHORT?

Choose your favourite wood-burning stove in a height that fits your home.

Wood-burning stoves from RAIS are available in various heights allowing you to choose a stove that complements the architecture of your home.

Options vary from model to model.







## SMALL DETAIL – BIG DIFFERENCE

A handle is a small detail that makes a big aesthetic difference.

Choose from a comprehensive selection of handles in different materials, colours and designs for your new RAIS wood-burning stove.

Options include antiqued oak, leather, white Corian and stainless steel.

## UNIQUE SWIVEL BASE

Choose your wood-burning stove with a swivel base and let the cosy fireplace vibe fill the room.

There is nothing like cuddling up in front of a wood-burning stove enjoying the warmth, the crackling fire and the beautiful colours of the flames.

Choose a swivel base for your wood-burning stove, turn the flame image in the direction you want and enjoy the cosy fireplace vibe from every corner of the room.

Swivel base comes as an additional choice for Nexo, Viva L, Pilar, Q-Be, Poleo, Juno and Rina.





## CLEVERAIR

CleverAir makes your life easier by automatically ensuring a cost-efficient and eco-friendly combustion.

CleverAir is an air damper that automatically adjusts the air supply to the combustion chamber thereby ensuring that it is optimal at all times.

The automatic air supply system not only ensures that the glass in your wood-burning stove is always clean it also helps to protect the environment – and your wallet.

All you have to do is light a fire and add more wood.  
CleverAir takes care of the rest.

## BLACK AND GLOSSY OR UNICOLOURED AND MATT?

Choose between doors with glass or steel frame.

If you choose a door with steel frame, you can get the door in the exact same colour as the rest of the wood burning stove. If you choose an all-glass door without steel frame, the door has an elegant, coated black frame.







## TOP PLATE

Choose between top plates in different materials to add a personal touch to your wood burning stove.

Create a rustic, natural look with a top plate in beautiful grey soapstone or choose a steel plate for a stylish, contemporary look.

Steel plates are available in the same six Nordic colours as the wood-burning stoves as well as in stainless steel.

Visit [www.rais.com](http://www.rais.com) and try out the Customizer feature to explore our comprehensive range of top plates.



## GET THE FULL FIREPLACE EXPERIENCE

Choose side glass for your RAIS wood-burning stove to get the full fireplace experience.

Explore the various options with our Customizer feature on [www.rais.com](http://www.rais.com).



## RAIS PILAR New

SCULPTURAL ELEGANCE. ADD CHARACTER TO YOUR HOME WITH PILAR – A DISTINCTIVE EYE-CATCHER.

With a height of almost two metres, Pilar fills the room. It immediately catches the eye with its sculptural design - simple and elegant yet striking and spectacular.

Enjoy exceptional views of the fire burning through the panoramic and beautifully rounded glass door. The solid and powerful handle underlines the superior quality of the stove.





# RAIS PILAR *Customized*

OUTPUT 4-8 kW | AREA 60-120 m<sup>2</sup> | CLEVERAIR | ELECTRONIC  
ROTATES 360° | 6 COLOURS | 5 HANDLES







Options include manually operated air damper, CleverAir system and ElectronicAir for remote control operation of air supply.



# RAIS NEXO

SIMPLICITY AND STRAIGHT LINES.  
SYMMETRY AND RIGHT ANGLES.

The cube-like and clean-cut design of Nexo is discreet yet distinctive. Nothing interrupts the seamless surface except the dancing flames behind the large, rectangular glass windows.

With its understated aesthetics, Nexo complements all types of interiors but is absolutely perfect for contemporary architectural design and minimalist decors.

Design your favourite version of Nexo. Choose between a wide range of optional details such as colour, height and handle.

Also available for use on gas.



## RAIS NEXO 100 *Customized*

OUTPUT 3-7 kW | AREA 45-105 m<sup>2</sup> | CLEVERAIR  
ROTATES 360° | 6 COLOURS | 6 HANDLES



## RAIS NEXO 120 *Customized*

OUTPUT 3-7 kW | AREA 45-105 m<sup>2</sup> | CLEVERAIR  
ROTATES 360° | 6 COLOURS | 6 HANDLES







## DECORATE WITH MULTI BOXES

Combine your wood-burning stove with multi boxes to create a personalised look.

Multi boxes allow you to transform your wood-burning stove into a timeless piece of furniture and offer you the freedom to create a personal decor style.

Place the multi boxes as you like and use them as a bench, to store firewood - or perhaps both.

Multi boxes are available for Nexo, Viva L, Q-Be and Q-Tee 2.











## RAIS NEXO 140 *Customized*

OUTPUT 3-7 kW | AREA 45-105 m<sup>2</sup> | CLEVERAIR  
ROTATES 360° | 6 COLOURS | 6 HANDLES

New



RAIS NEXO 160 *Customized*

OUTPUT 3-7 kW | AREA 45-105 m<sup>2</sup> | CLEVERAIR  
ROTATES 360° | 6 COLOURS | 6 HANDLES





New



## RAIS NEXO 185 *Customized*

OUTPUT 3-7 kW | AREA 45-105 m<sup>2</sup> | CLEVERAIR  
ROTATES 360° | 6 COLOURS | 6 HANDLES





## RAIS VIVA L

PILLAR-LIKE FORM WITH A SCULPTURAL LOOK  
AND A CLASSY AESTHETICS.

Viva L is a super simple wood-burning stove – round, elegant and sculptural. The beautifully curved door and the discreet round handle perfectly complement the design of the stove.

Choose between a range of design options to create a customised version of Viva L that matches your home and interior style.

Also available for use on gas.



reddot design award  
winner 2017



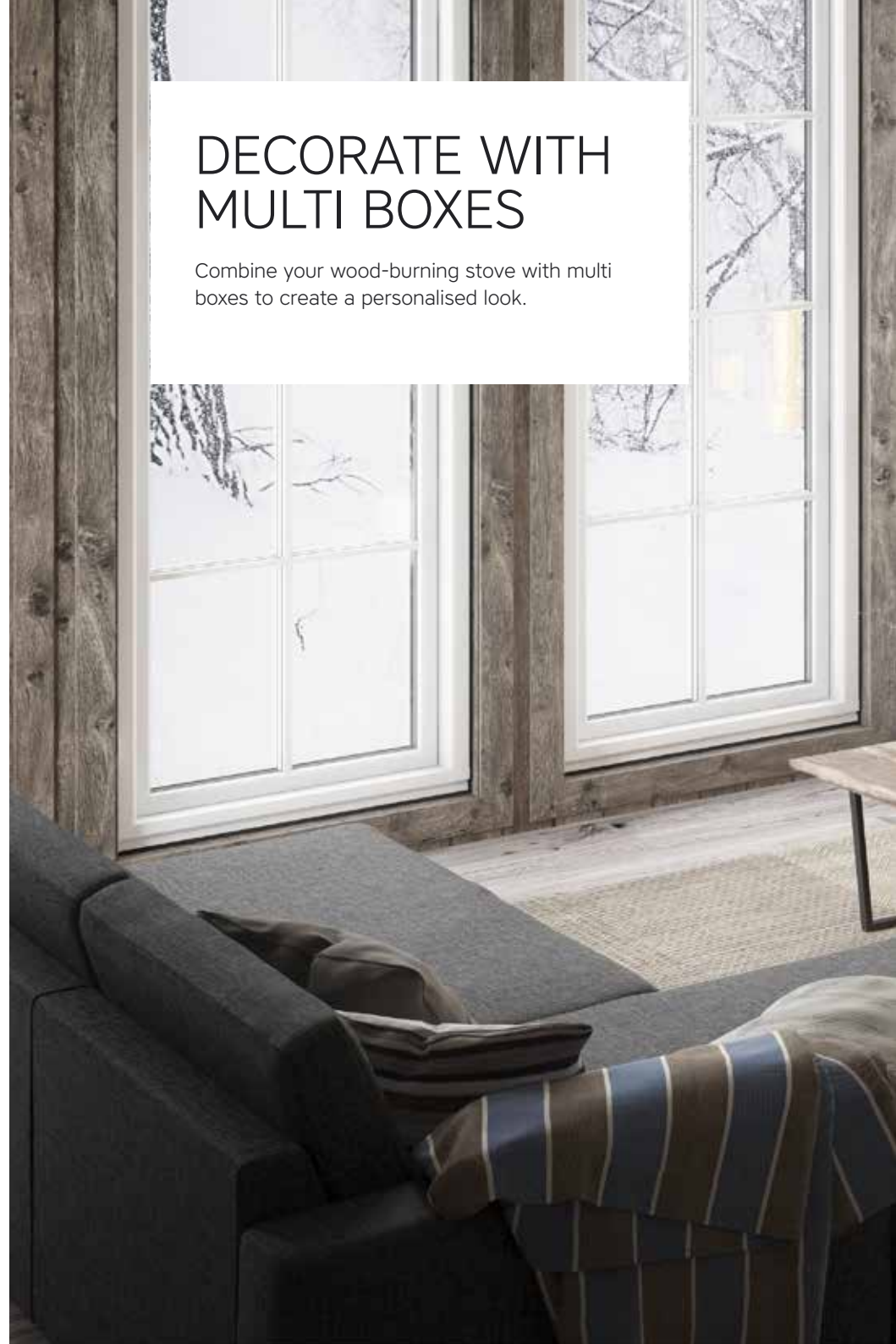
# RAIS VIVA L 100 *Customized*

OUTPUT 3-7 kW | AREA 45-105 m<sup>2</sup> | CLEVERAIR  
ROTATES 360° | 6 COLOURS | 6 HANDLES



## DECORATE WITH MULTI BOXES

Combine your wood-burning stove with multi boxes to create a personalised look.







## RAIS VIVA L 120 *Customized*

OUTPUT 3-7 kW | AREA 45-105 m<sup>2</sup> | CLEVERAIR  
ROTATES 360° | 6 COLOURS | 6 HANDLES

RAIS Viva L 120, black







## RAIS VIVA L 160 *Customized*

OUTPUT 3-7 kW | AREA 45-105 m<sup>2</sup> | CLEVERAIR  
ROTATES 360° | 6 COLOURS | 6 HANDLES









## COSY CABIN VIBE

LONG DAYS SPENT UNDER AN OPEN SKY OR INDOORS IN FRONT OF THE FIREPLACE.

LET'S VISIT A COSY SUMMER CABIN BY KOLDING FJORD.

With magnificent views of the beautiful rolling hills and the sparkling fjord, the holiday home close to Sdr. Bjert in Denmark is in the perfect spot. Family and friends gather in the house year-round enjoying the great outdoors and the peace and quiet in front of the fireplace.

The living area has a Viva L 100 that warms up the house on cold autumn days. Outside the fire is burning in a RA firepit, creating the perfect setting for campfire food and cosy bonfire nights.









# RAIS RINA *Customized*

OUTPUT 2-6 kW | AREA 30-90 m<sup>2</sup> | 6 COLOURS

With an elegantly curved front and angled sides Rina is discreet compact and the perfect fit for small-sized homes. Despite its size, the stove is a highly effective source of heat.



# RAIS Q-BE *Customized*

OUTPUT 4-8 kW | AREA 60-120 m<sup>2</sup> | CLEVERAIR  
ROTATES 360° | 6 COLOURS | 5 HANDLES







RAIS Q-BE XL



## LET THE FLAMES FILL THE ROOM

RAIS Q-BE CATCHES THE EYE WITH ITS STRONG SCULPTURAL EXPRESSION, UNIQUE SWIVEL BASE AND EXCEPTIONAL VIEWS OF THE FIRE.

Q-Be is distinguished by its innovative design that sets it apart from other wood-burning stoves. Cube-like and sculptural it creates a strong focal point in the room and brings character to all types of home interiors.

The large glass window covers two sides and offers exceptional views of the flames. The swivel base allows you to turn the top of the wood-burning stove in any direction, enabling you to enjoy the cosy fireplace ambience from every corner of the room.



## PERFECT FOR SMALL SPACE LIVING

THE PETITE AND ELEGANT Q-TEE BRINGS THE FULL FIREPLACE EXPERIENCE TO SMALL LIVING SPACES.

There is no need to miss out on the full fireplace experience even though you are living in a small-sized home. Q-Tee is a small and elegant stove that has it all: great design and efficient, eco-friendly combustion.

With its compact and upright design Q-Tee is the perfect choice for even small living spaces.





## RAIS Q-TEE

OUTPUT 2-6 kW | AREA 30-90 m<sup>2</sup>



## BETWEEN THE TREETOPS

JUST OUTSIDE OSLO, A NORWEGIAN FAMILY HAS LIVED OUT THEIR ULTIMATE DREAM OF A HOLIDAY HOME CLOSE TO NATURE.

In Totenvika by lake Mjøsa, just one and a half hour from Oslo, a Norwegian family's dream of a holiday home close to nature has come true. They have built a cabin in the treetops 12 metres off the ground with majestic pine trees and old birches as their closest neighbours.

The beautiful treetop house has everything the heart desires in terms of modern comfort. From hot, running water and electricity to a RAIS Q-Tee wood burning stove in the kitchen effectively warming up the cabin, when the wind shakes the treetops outside.







[www.totentretopphytte.no](http://www.totentretopphytte.no)  
@totentretopphytte





## Q-TEE 2

Q-TEE 2 ADDS CHARACTER AND A PERSONAL TOUCH TO YOUR HOME.

Q-Tee 2 offers you a wide range of decor options and gives you the freedom to add a personal touch to your home. Place it on a firewood store to accentuate the stove's cubical shape or add legs for a more classic look.

Choose between legs and bases in two heights.

Also available for use on gas.





## RAIS Q-TEE 2

OUTPUT 3-8 kW | AREA 45-120 m<sup>2</sup> |  
2 BASES | 2 SET LEGS



## RAIS Q-TEE 2 C

OUTPUT 3-8 kW | AREA 45-120 m<sup>2</sup> | 6 HANDLES  
AREA 45-120 m<sup>2</sup> | 2 SET LEGS







## FORM AND FUNCTION

GREAT DESIGN, BEAUTIFUL DETAILS AND EFFECTIVE HEATING.

Q-Tee 2 C is the ultimate fusion of form and function, combining beautiful design details with an efficient and eco-friendly combustion. The wood-burning stove has a square yet beautifully rounded form and a large glass window.

Choose Q-Tee 2 C with legs to create a classic wood-burning stove design or combine it with wood storage boxes for a more contemporary look.

Also available for use on gas.



## RAIS JUNO 120 SOAPSTONE

OUTPUT 2-6 kW | AREA 30-90 m<sup>2</sup> | ROTATES 360°

## NATURE'S OWN DESIGN

ENJOY THE NATURAL AESTHETICS AND FUNCTIONALITY OF JUNO.

Pillar round Juno is lined with beautiful, heat accumulating soapstone. Only the large glass window and the elegant handle break the rustic surface and its sophisticated natural pattern in shades of grey.

The soapstone adds a beautiful visual effect but also has a practical function. It absorbs heat, releases it slowly over time and ensures an efficient and comfortable heating of your home.







## RAIS JUNO 160 SOAPSTONE

OUTPUT 2-6 kW | AREA 30-90 m<sup>2</sup> | ROTATES 360°

# RAIS POLEO SOAPSTONE

OUTPUT 4-8 kW | AREA 60-120 m<sup>2</sup>

## EFFICIENT HEATING

Poleo combines a curved, organic design with beautiful, grey soapstone on the top and sides. The stones offer incredible heat properties and ensure efficient heating of your home.



# RUSTIC LOOK AND SUPERIOR COMFORT

ENJOY SUPERIOR HEAT DISTRIBUTION AND A RUSTIC DESIGN WITH RINA IN BLACK GLASS AND BEAUTIFUL, NATURAL STONES.

Rina is distinguished by its curved front in shiny, black glass. The top and sides are lined with grey soapstone and the beautiful natural colour play and patterns of the soapstone create a distinctive contrast to the sleek, black front.

## RAIS RINA SOAPSTONE

OUTPUT 2-6 kW | AREA 30-90 m<sup>2</sup>



# RAIS JUNO CERAMIC 160

OUTPUT 2-6 kW | AREA 30-90 m<sup>2</sup> | ROTATES 360°



Juno Ceramic is lined with white, hand-made ceramic stones. Creating the heat-accumulating stones is a time-consuming and complex process with many phases – from filling the mould to burning, glazing and re-burning every stone.





## RAIS JUNO CERAMIC 120

OUTPUT 2-6 kW | AREA 30-90 m<sup>2</sup> | ROTATES 360°

# FIREPLACE INSERTS







A FIREPLACE INSERT FROM RAIS IS THE ULTIMATE CHOICE, IF YOU WANT TO CREATE AN EXCLUSIVE FIREPLACE VIBE AND A STYLISH, UNDERSTATED DECOR.

RAIS fireplace inserts are easily fitted into existing homes or integrated into the architecture of new-build houses from the first drawing.

Our inserts complement all architectural styles and decors and open up a world of opportunities.

Use your RAIS fireplace insert in an existing fireplace, as a distinctive room divider, to refine a corner or to connect two rooms.







# RAIS VISIO

DECORATE WITH FIRE. VISIO IS A SERIES OF EXCLUSIVE FIREPLACE INSERTS OFFERING YOU THE FREEDOM TO DESIGN YOUR DREAM HOME.

Regardless of whether you are building a new home or want a fireplace insert for an existing fireplace, there is a Visio insert to complement the architecture and interior of your home.

The series encompasses seven different models offering you the choice between a Visio with glass on one, two or three sides and extra tall and wide models, Visio 2 L or 3 L. Choose your Visio with a frame in black or stainless steel – or even without a frame - and choose between handles in wood or steel.

Build your Visio into a corner, use it as a room divider, enjoy the crackling fire in more than one room, or build your own unique fireplace with prefabricated concrete elements.

Visio inserts are also available for use on gas.







# RAIS VISIO 1

OUTPUT 5-9 kW | AREA 75-120 m<sup>2</sup> | 3 HANDLES



# RAIS VISIO 2

OUTPUT 5-9 kW | AREA 75-120 m<sup>2</sup> | 3 HANDLES







## RAIS VISIO 3

OUTPUT 5-9 kW | AREA 75-120 m<sup>2</sup> | 3 HANDLES

# RAIS VISIO 2:1

OUTPUT 5-9 kW | AREA 75-120 m<sup>2</sup> | 3 HANDLES





# RAIS VISIO 3:1

OUTPUT 5-9 kW | AREA 75-120 m<sup>2</sup> | 3 HANDLES







Photo: Elisabeth Kruse

## A UNIQUE HOME IN THE FAROE ISLANDS

FIND INSPIRATION IN THIS BEAUTIFUL HOUSE IN THE FAROE ISLANDS, WHERE A VISIO IS THE HEART OF THE HOME AND THE ULTIMATE GATHERING POINT.

Nestled in the magnificent Faroese landscape, you will find the home of Johannes Jensen, restaurant manager at Michelin-starred restaurant KOKS, and his wife Anna Dahl Olsen. They have renovated and redesigned his grandparent's house and created a one-of-a-kind home that merges the old building's beautiful details with contemporary comfort and function.

Right in the centre of the house, a stylish Visio has been built into a rustic concrete wall, where it functions as a room divider separating the living areas. The fireplace insert's sleek glass design provides an elegant contrast to the rest of the interior's industrial concrete look and rustic wooden beams.

Photo: Maria Vous



Photo: Maria Vous









# RAIS VISIO 2 L      New

OUTPUT 8-12 kW | AREA 120-180 m<sup>2</sup> | 3 HANDLES







RAIS VISIO 3 L      New

OUTPUT 8-12 kW | AREA 120-180 m<sup>2</sup> | 3 HANDLES



## RAIS 500

A TRUE CLASSIC IN A SIMPLE, DISCREET AND TIME-LESS DESIGN THAT NEVER GOES OUT OF STYLE.

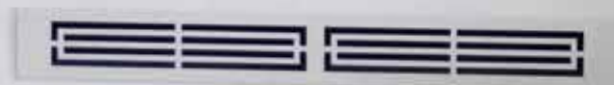
The RAIS 500-series includes three classic fireplace inserts. Choose between glass on one, two or three sides, build it into an existing fireplace or into a corner to enjoy the flames from multiple angles.

All three models offer highly efficient combustion, superior heat comfort and are available with an all glass door or glass door with steel frame.



## RAIS 500/1

OUTPUT 4-8 kW | AREA 60-120 m<sup>2</sup>



# RAIS 500/2

OUTPUT 4-8 kW | AREA 60-120 m<sup>2</sup>





# RAIS 500/3

OUTPUT 4-8 kW | AREA 60-120 m<sup>2</sup>





## RAIS 600

New

RAIS 600 STANDS OUT WITH ITS UNIQUE CUBICAL SHAPE AND OFFERS A WIDE RANGE OF DECOR OPTIONS.

With its cube-like design, RAIS 600 offers a distinct and characteristic look that truly sets it apart.

Enjoy the fire through the large glass windows that almost create the illusion of an open fireplace. Build it into a corner or into an existing fireplace.

Available with glass on one, two or three sides and with an all-glass door or glass door with steel frame. Fits any corner, left or right.







RAIS 600/1

RAIS 600/2







RAIS 600/3







## ONE HOME – TWO WOOD-BURNING STOVES

IN A NEWLY BUILT SCOTTISH HOME, THE OWNERS HAVE INSTALLED NOT ONE BUT TWO RAIS WOOD-BURNING STOVES.

Tony Fraser and his family carefully considered every little detail, when they built their new home. Aesthetics as well as function were taken into consideration when the family set out to choose new wood-burning stoves.

The choice fell on a black Viva L wood-burning stove with a brown leather handle and a soapstone top plate that match the style and colours of the house's decor. They also chose a Visio 2:1 fireplace insert with glass on two sides allowing them to enjoy the cosy fireplace ambience in two rooms.



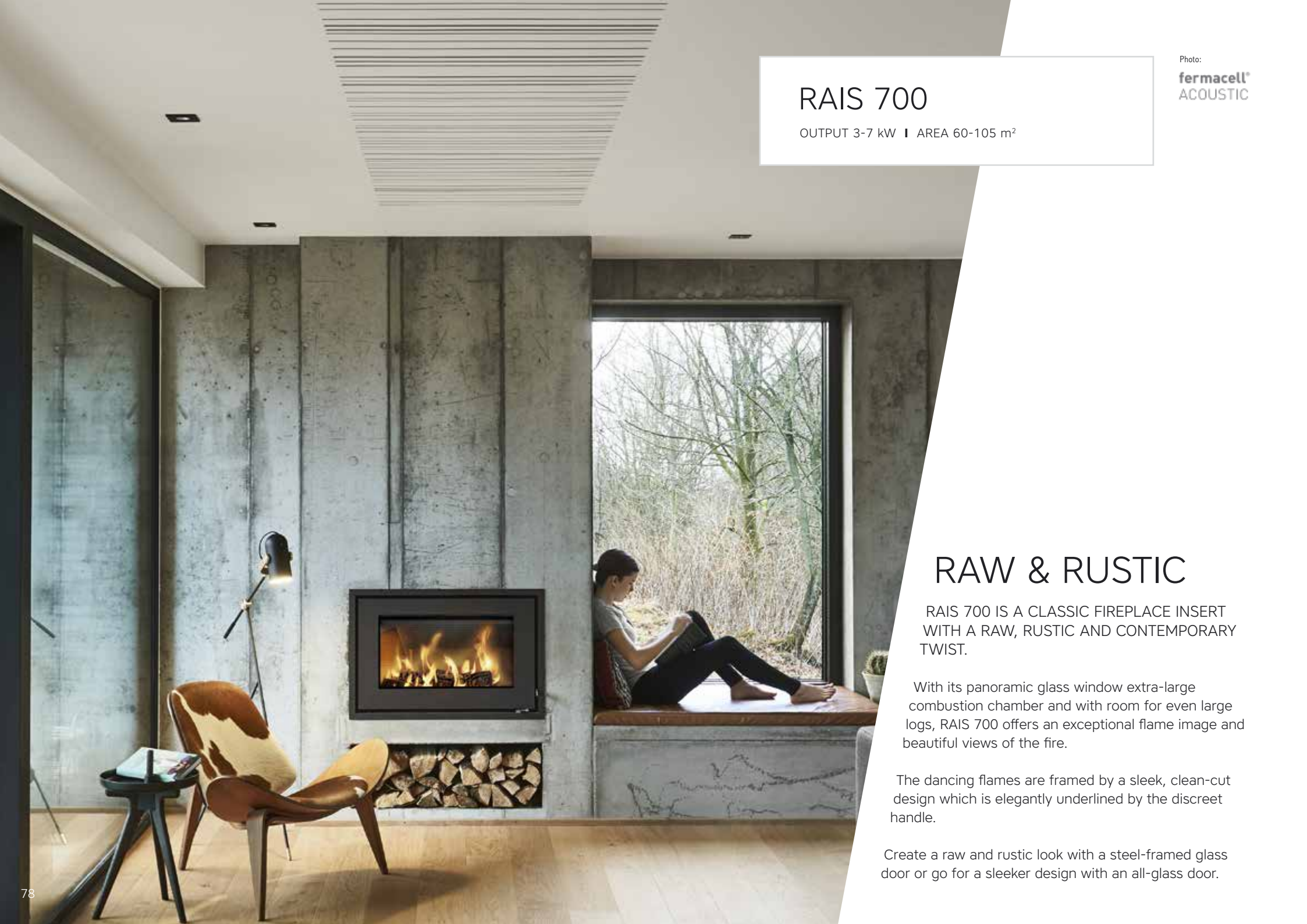


Photo:  
**fermacell**  
ACOUSTIC

## RAIS 700

OUTPUT 3-7 kW | AREA 60-105 m<sup>2</sup>

### RAW & RUSTIC

RAIS 700 IS A CLASSIC FIREPLACE INSERT WITH A RAW, RUSTIC AND CONTEMPORARY TWIST.

With its panoramic glass window extra-large combustion chamber and with room for even large logs, RAIS 700 offers an exceptional flame image and beautiful views of the fire.

The dancing flames are framed by a sleek, clean-cut design which is elegantly underlined by the discreet handle.

Create a raw and rustic look with a steel-framed glass door or go for a sleeker design with an all-glass door.



# PANORAMIC VIEWS OF THE FIRE

EXTRA WIDE DESIGN WITH PANORAMIC VIEWS OF THE FIRE. RAIS 900 OFFERS THE ULTIMATE FIREPLACE EXPERIENCE.

With its eye-catching extra-wide design, RAIS 900 offers an impressive view of the flames and an extraordinary panoramic effect. The grand and extravagant design is complemented by the discreet handle in stainless steel.

Available with steel or glass door.



RAIS 900

OUTPUT 5-9 kW | AREA 75-105 m<sup>2</sup>



## RAIS 2:1

TWO ROOMS – ONE FIREPLACE INSERT.  
ENJOY THE FIRE AND THE COSY AMBIENCE  
IN TWO ROOMS.

With wide glass windows on two sides, RAIS 2:1 allows you to connect two rooms with just one fireplace insert - and to enjoy the fire and the cosy fireplace ambience in both rooms.

The large glass windows offer impressive views of the fire, attract attention and serve as a visually appealing focal point in your home.

Available with steel or glass door.





## RAIS 2:1

OUTPUT 3-9 kW | AREA 45-135 m<sup>2</sup>

# RAIS Q-TEE FIREPLACE INSERT

OUTPUT 2-6 kW | AREA 30-90 m<sup>2</sup>

THE ULTIMATE FIREPLACE EXPERIENCE FOR SMALL SPACES.

Q-Tee is a small and elegant fireplace insert offering efficient and eco-friendly combustion.

With its compact, upright design, it is the perfect choice for small living spaces.





# RAIS Q-BE FIREPLACE INSERT

OUTPUT 4-8 kW | AREA 60-120 m<sup>2</sup>



## UNIQUE & FUNCTIONAL

Q-Be is an elegant corner insert distinguished by its unique and practical details and its stylish, minimalist design.

The door's glass is made in one piece and the exquisite handle is discreetly concealed below the door.

# INTERIOR









## RAIS TETRA

3-piece fireplace tool-set in a raw design that combines steel, iron and concrete. For wall-mounting or floor. Handle in stainless steel or leather.



## RAIS BUTEO

Poker, brush and shovel with holder in a vibrant, organic design. For wall-mounting or floor with a round concrete base. Handle in stainless steel or leather.





## RAIS WALL TOOLS

RAIS Wall tools are pure minimalism with shafts in stainless steel, black silicon handles and a holder in a black graphic design. For wall-mounting or floor standing on a concrete base.



## RAIS SOLO

Three-piece fireplace tool-set with poker, brush and shovel in a stylish and practical design. Tools and solid holder in stainless steel and with elegantly rounded corners. Also available as a one-piece set with poker and holder.



New



## RAIS CARRY

With its architect-drawn organic design, RAIS Carry reinvents the classic firewood basket and gives it a vibrant, modern expression. Choose between black or cream coloured. Available with handles in black or cognac coloured leather.



## RAIS LIGHTING

RAIS Lighting is an exclusive storage box for firelighters, in aluminium and with cognac coloured leather.





## RAIS WOODFRAME

This simple hanging frame for firewood frees floorspace. Note the luxurious details in the corners, which are joined using both dowels and tenons. Oiled oak in natural or smoky nuances. Turn it any way you like. Can also be placed on the floor.





Woody fuses beautiful details, luxurious materials, and practical simplicity - and makes it so much easier to carry in firewood.

## RAIS WOODY



## RAIS WOODBOX

Use Woodbox for storage or to hide away the firewood.

Cube-shaped Woodbox is a practical and elegant storage solution with a lid resting flush with the edges of the box. Available in oiled oak in natural or smoky nuances.



New



Use Woodwall Freestanding as a room divider or as a sculpture in the room. Available in two sizes and in black or white. Wall Tools can be attached.



## RAIS WOODWALL



RAIS Woodwall for storage of firewood is genius in its simplicity. The wall holder comes in two sizes, with and without a back panel and in black or white. Decorative and practical.



## RAIS CONSTANT

Constant is a durable bench made from fibre concrete that adds a raw and rustic touch to home interiors and outdoor living spaces. The bench can also be used as a base for Q-Tee and Q-Tee 2.



## RAIS WOODRACK

Neatly stacked firewood held in place by simple black frames creates a rustic, sculptural expression. Or turn the rack around and use it as a bench instead. Available in two sizes.







# ACCESSORIES









## FLUE PIPES

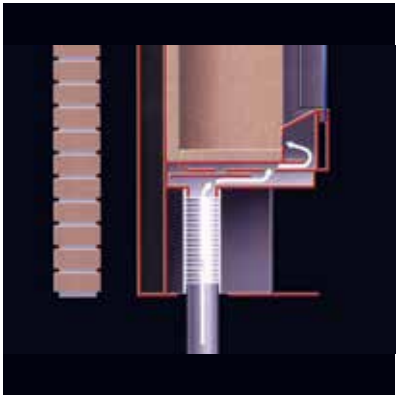
Flue pipes are available in the same six Nordic colours as RAIS wood-burning stoves as well as in stainless steel. A matching flue pipe completes the design and is an elegant finishing touch. The joints of the pipes are nearly invisible.



## GLASS PLATES

Choose an elegant floor plate in tempered glass designed to fit the shape of the stove. Note that the plates can simply be pushed right up to the stove and easily removed for cleaning.





Air supply through floor



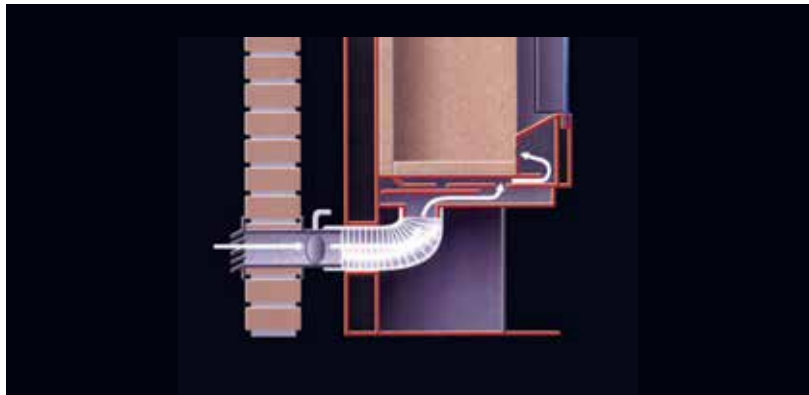
AirKit between floor and stove

## AIRSYSTEM AND AIRKIT

This solution is developed specifically for low-energy and insulated houses. The system sucks in fresh air from the outside and feeds it directly into the stove to ensure optimal combustion. The air intake can be concealed by fitting it into the floor or into the wall behind the stove.

To facilitate connection to the AirSystem in the stove, we have developed an AirKit system that is adapted to the desired floor or wall installation.

The kit consists of a flexible pipe with a clamp, shielding for the firewood compartment, a coupling with a damper and a casing.



Air supply through rear wall



AirKit between wall and stove



Shield and damper behind stove

## STAY WARM WITH BEAUTIFUL STONE

Soapstone is a natural wonder – a work of art in delicate shades and with beautiful patterns and markings. The stones create an attractive and rustic expression but they also serve a practical function. They absorb heat and slowly release it over time.

For example, if you burn 4 kg of firewood in a Pilar lined with 96 kg of soapstone, the stove will emit afterheat for 8 hours – and you get the most out of your firewood.

Heat accumulating stones are available for Pilar, Viva L 120, Q-Be, Q-20, Juno, Visio 1, Visio 2 and Visio 3.



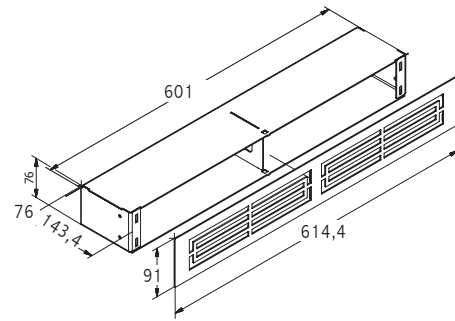




Photo: Kristin Stajler

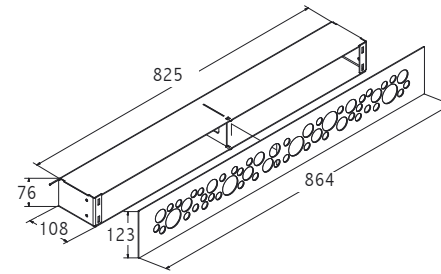
## R500 2+3 / VISIO 2+3

Convection area: 190 cm<sup>2</sup>



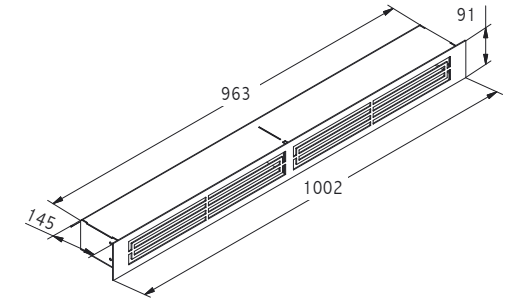
## R700

Convection area: 280 cm<sup>2</sup>



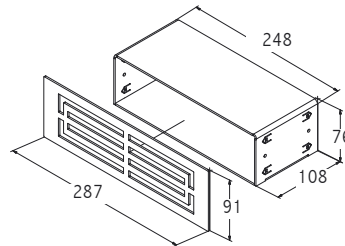
## R900

Convection area: 320 cm<sup>2</sup>



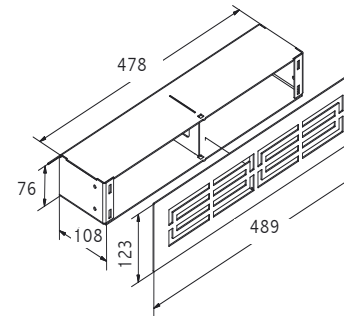
## Q-BE

Convection area: 90 cm<sup>2</sup>



## Q-TEE

Convection area: 147 cm<sup>2</sup>



## R2:1

Convection area: 235 cm<sup>2</sup>

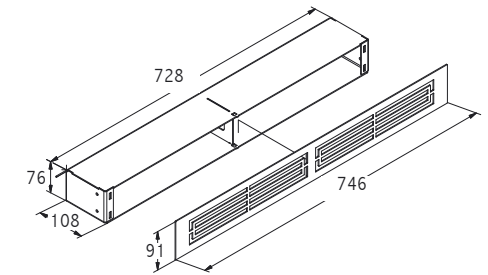
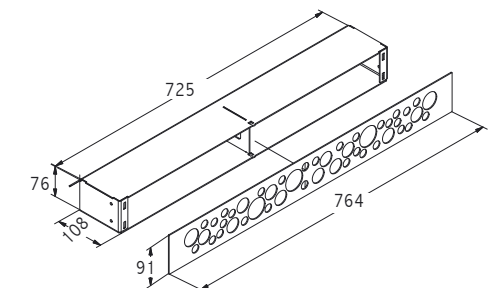


Photo: Maria Voss

## R500 / VISIO

Convection area: 230 cm<sup>2</sup>



# CONVECTION GRATES

Choose a convection grate that fits your insert to complete the design and to ensure the ultimate fireplace experience.





# OUTDOOR







## RAIS CIRCLE

Create a tranquil escape from everyday life with combined grill and fire bowl Circle in corten steel. Cuddle up in front of the fire, host an informal get-together or prepare a delicious homemade meal. The choice is yours.

**RAIS  
GRILL**



New

## RAIS CIRCLE COVER

Protect your Circle grill against the weather with a durable cover designed to guard your grill against rain and dirt. Made from weatherproof material, the cover will extend the life of your grill.







# RAIS RA

Simple and minimalistic fire bowl for evening fun on the patio, in the garden or at the beach.



# RAIS LIGHT CONE

Decorative cone-shaped garden torch with oil lamp insert. Spear available in two lengths.





# RAIS GRILL



## RAIS ANGLE

A sculptural gathering spot for outdoor fun and cooking under an open sky.



## RAIS SQUARE

Grill and bonfire stove in one, with side table of solid oak and a practical space for storing firewood.







## RAIS GIZEH

Combined grill and bonfire stove in an eye-catching, pyramid-inspired design.



RAIS' outdoor collection is handmade with heart and passion.

Good craftsmanship takes time but the result is worth the wait. The collection's beautiful rusty patina is weather-made under an open sky and consequently, no two products are alike.

Find inspiration on how to create wonderful outdoor spaces and gather friends and family for campfire fun or a delicious alfresco meal.

RAIS  
GRILL



# SPECIFICATIONS



The following pages comprise recommendations, specifications and technical data for each of our stoves including dimensions, output, particulate emissions and distance to flammable materials.

This information is for your guidance only. Before installing your wood-burning stove, we recommend that you read the user manual and consider the specific recommendations applicable to the specific stove.

Please note that you are under obligation to ensure compliance with all local and national laws and regulations.





Our continuous technical development may affect the specifications and lead to changes in colours and accessories. Errors in the text, data and photos may occur.

# RAIS PILAR



TECHNICAL DATA:

DIMENSIONS (W-D-H)

Woodburning stove's ext. dim.	Ø462-1925	mm
Combustion chamber's int. dim.	352-287-286	mm
Flue exit (diameter)	Ø150	mm
Distance from center of flue to back edge of the top plate	231	mm
Distance from floor to AirSystem connection	155	mm
Distance from floor to centre flue exit top plate	1200	mm
Distance from floor to flue exit at back	1165	mm
AirSystem connection	Ø100	mm

KEY FIGURES

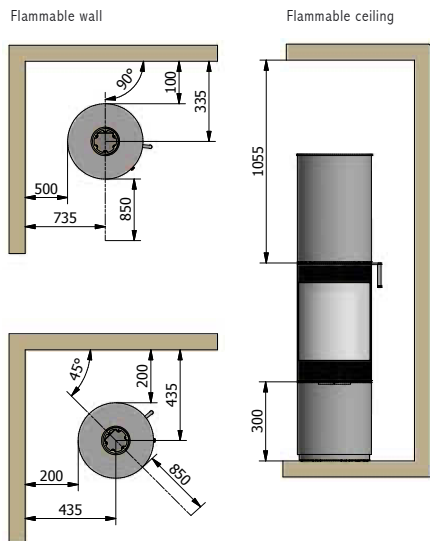
Output (Nominal)	4,5	kW
Output (Min-max)	2-9	kW
Heat (at 20 degrees)	90	m <sup>2</sup>
Efficiency	81	%
Particulates	1.8	g/kg

DISTANCE TO FLAMMABLE MATERIAL

To wall at side	500	mm
To wall at back	100	mm
Distance to flammable with swivel	850	mm
To non-flammable wall and at sides and back we recommend	100	mm

WEIGHT

- heat accumulation stone	140	kg
	120	kg



Department for Environment  
Food and Rural Affairs  
(pending)

# RAIS NEXO 100 WITHOUT SIDE GLASS



TECHNICAL DATA:

DIMENSIONS (W-D-H)

Woodburning stove's ext. dim.	446-398-1025	mm
Combustion chamber's int. dim.	344-253-510	mm
Flue exit (diameter)	Ø125 / Ø150	mm
Distance from center of flue to back edge of the top plate	198	mm
Distance from floor to AirSystem connection	115	mm
Distance from floor to centre flue exit top plate	983	mm
Distance from floor to flue exit at back	900	mm
AirSystem connection	Ø100	mm

KEY FIGURES

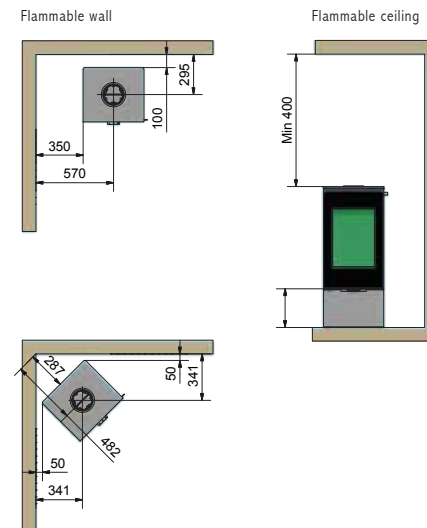
Output (Nominal)	5,7	kW
Output (Min-max)	3-7	kW
Heat (at 20 degrees)	45-105	m <sup>2</sup>
Efficiency	80	%
Particulates	2,24	g/kg

DISTANCE TO FLAMMABLE MATERIAL

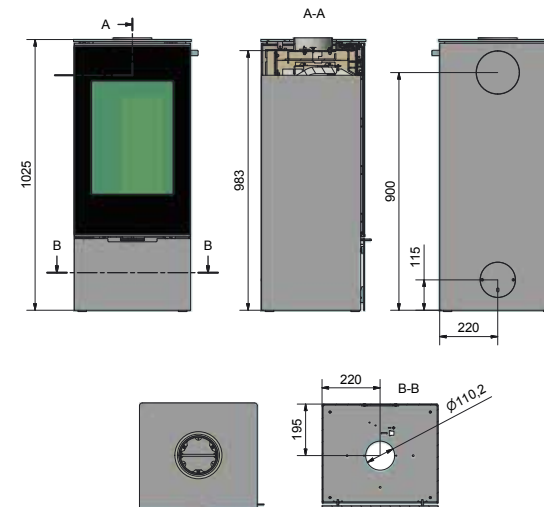
To wall at side	350	mm
To wall at back	100	mm
To non-flammable wall and at sides and back we recommend	50	mm

WEIGHT

	125	kg
--	-----	----



Department for Environment  
Food and Rural Affairs





# RAIS NEXO 100 WITH SIDE GLASS



TECHNICAL DATA:

DIMENSIONS (W-D-H)

Woodburning stove's ext. dim.	446-398-1025	mm
Combustion chamber's int. dim.	344-253-510	mm
Flue exit (diameter)	Ø125 / Ø150	mm
Distance from center of flue to back edge of the top plate	198	mm
Distance from floor to AirSystem connection	115	mm
Distance from floor to centre flue exit top plate	983	mm
Distance from floor to flue exit at back	900	mm
AirSystem connection	Ø100	mm

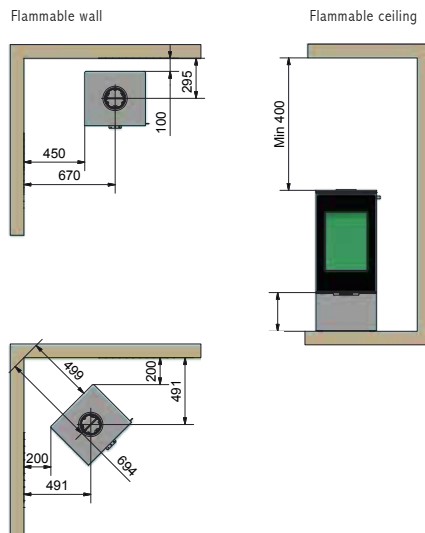
KEY FIGURES

Output (Nominal)	5,7	kW
Output (Min-max)	3-7	kW
Heat (at 20 degrees)	45-105	m <sup>2</sup>
Efficiency	80	%
Particulates	2,24	g/kg

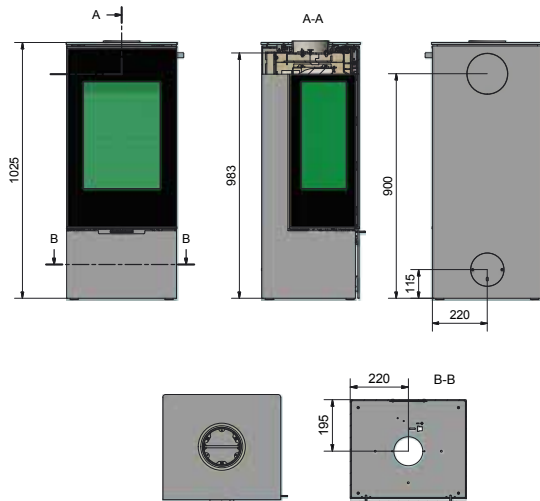
DISTANCE TO FLAMMABLE MATERIAL

To wall at side	450	mm
To wall at back	100	mm
To non-flammable wall and at sides and back we recommend	50	mm

WEIGHT	125	kg
--------	-----	----



A+



# RAIS NEXO 120 WITHOUT SIDE GLASS



TECHNICAL DATA:

DIMENSIONS (W-D-H)

Woodburning stove's ext. dim.	446-398-1235	mm
Combustion chamber's int. dim.	344-253-510	mm
Flue exit (diameter)	Ø125 / Ø150	mm
Distance from center of flue to back edge of the top plate	198	mm
Distance from floor to AirSystem connection	115	mm
Distance from floor to centre flue exit top plate	1193	mm
Distance from floor to flue exit at back	1110	mm
AirSystem connection	Ø100	mm

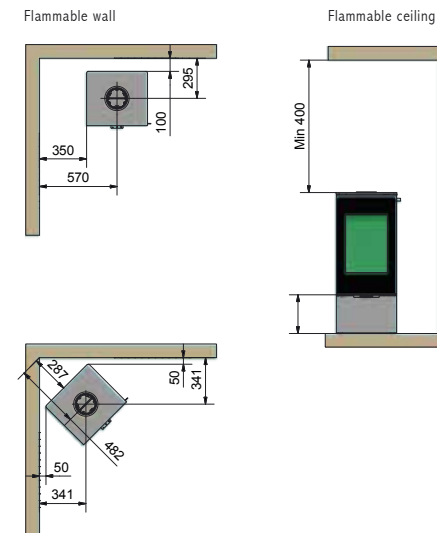
KEY FIGURES

Output (Nominal)	5,7	kW
Output (Min-max)	3-7	kW
Heat (at 20 degrees)	45-105	m <sup>2</sup>
Efficiency	80	%
Particulates	2,24	g/kg

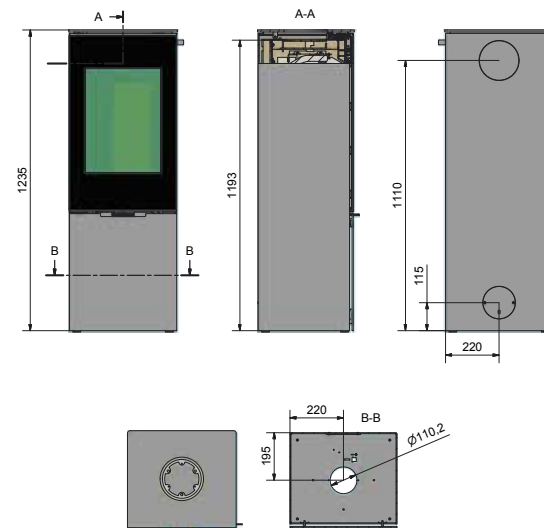
DISTANCE TO FLAMMABLE MATERIAL

To wall at side	350	mm
To wall at back	100	mm
To non-flammable wall and at sides and back we recommend	50	mm

WEIGHT	140	kg
--------	-----	----



A+



# RAIS NEXO 120 WITH SIDE GLASS



TECHNICAL DATA:

DIMENSIONS (W-D-H)

Woodburning stove's ext. dim.	446-398-1235	mm
Combustion chamber's int. dim.	344-253-510	mm
Flue exit (diameter)	Ø125 / Ø150	mm
Distance from center of flue to back edge of the top plate	198	mm
Distance from floor to AirSystem connection	115	mm
Distance from floor to centre flue exit top plate	1193	mm
Distance from floor to flue exit at back	1110	mm
AirSystem connection	Ø100	mm

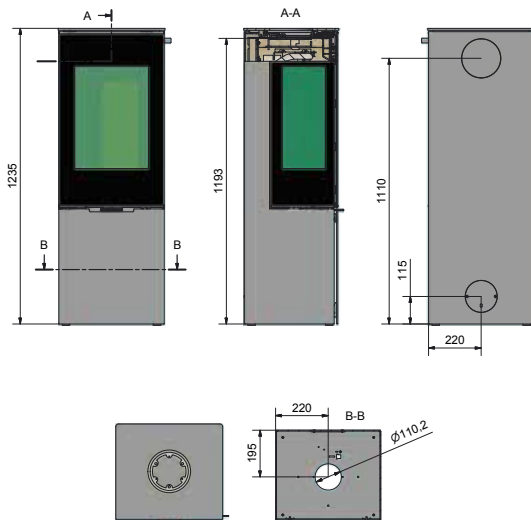
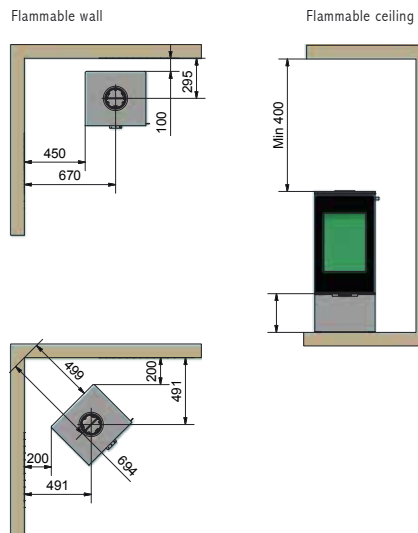
KEY FIGURES

Output (Nominal)	5,7	kW
Output (Min-max)	3-7	kW
Heat (at 20 degrees)	45-105	m <sup>2</sup>
Efficiency	80	%
Particulates	2,24	g/kg

DISTANCE TO FLAMMABLE MATERIAL

To wall at side	450	mm
To wall at back	100	mm
To non-flammable wall and at sides and back we recommend	50	mm

WEIGHT	140	kg
--------	-----	----



# RAIS NEXO 140 WITHOUT SIDE GLASS



TECHNICAL DATA:

DIMENSIONS (W-D-H)

Woodburning stove's ext. dim.	446-398-1425	mm
Combustion chamber's int. dim.	344-253-510	mm
Flue exit (diameter)	Ø125 / Ø150	mm
Distance from center of flue to back edge of the top plate	198	mm
Distance from floor to AirSystem connection	115	mm
Distance from floor to centre flue exit top plate	1193	mm
Distance from floor to flue exit at back	1110	mm
AirSystem connection	Ø100	mm

KEY FIGURES

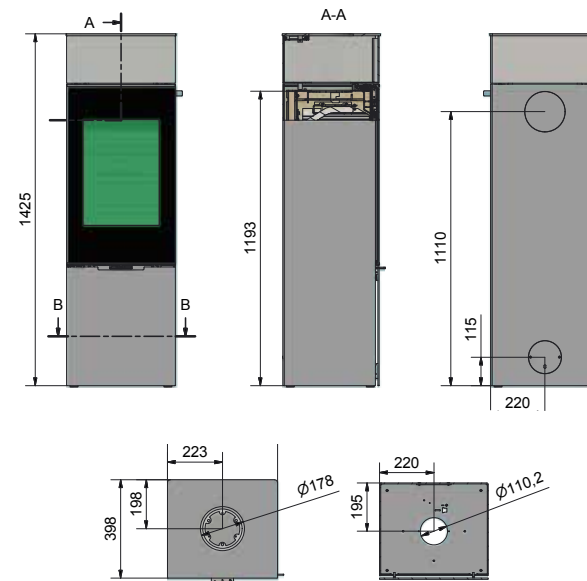
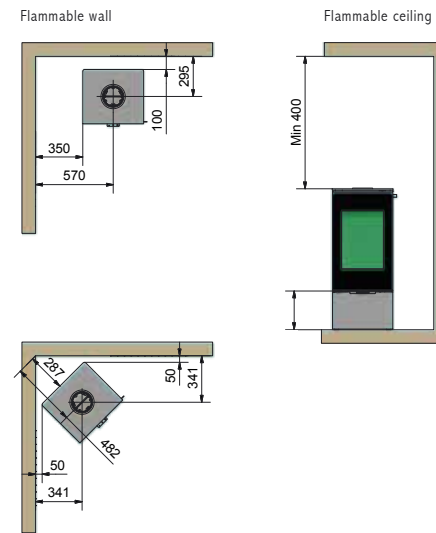
Output (Nominal)	5,7	kW
Output (Min-max)	3-7	kW
Heat (at 20 degrees)	45-105	m <sup>2</sup>
Efficiency	80	%
Particulates	2,24	g/kg

DISTANCE TO FLAMMABLE MATERIAL

To wall at side	350	mm
To wall at back	100	mm
To non-flammable wall and at sides and back we recommend	50	mm

WEIGHT	166	kg
--------	-----	----

Heat accumulation stone	36	kg
-------------------------	----	----





# RAIS NEXO 140 WITH SIDE GLASS



TECHNICAL DATA:

DIMENSIONS (W-D-H)

Woodburning stove's ext. dim.	446-398-1425	mm
Combustion chamber's int. dim.	344-253-510	mm
Flue exit (diameter)	Ø125 / Ø150	mm
Distance from center of flue to back edge of the top plate	198	mm
Distance from floor to AirSystem connection	115	mm
Distance from floor to centre flue exit top plate	1193	mm
Distance from floor to flue exit at back	1110	mm
AirSystem connection	Ø100	mm

KEY FIGURES

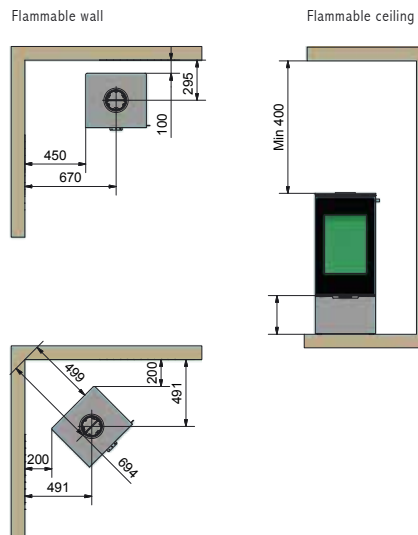
Output (Nominal)	5,7	kW
Output (Min-max)	3-7	kW
Heat (at 20 degrees)	45-105	m <sup>2</sup>
Efficiency	80	%
Particulates	2,24	g/kg

DISTANCE TO FLAMMABLE MATERIAL

To wall at side	450	mm
To wall at back	100	mm
To non-flammable wall and at sides and back we recommend	50	mm

WEIGHT

	166	kg
Heat accumulation stone	36	kg



# RAIS NEXO 160 WITHOUT SIDE GLASS



TECHNICAL DATA:

DIMENSIONS (W-D-H)

Woodburning stove's ext. dim.	446-398-1600	mm
Combustion chamber's int. dim.	344-253-510	mm
Flue exit (diameter)	Ø125 / Ø150	mm
Distance from center of flue to back edge of the top plate	198	mm
Distance from floor to AirSystem connection	115	mm
Distance from floor to centre flue exit top plate	1193	mm
Distance from floor to flue exit at back	1110	mm
AirSystem connection	Ø100	mm

KEY FIGURES

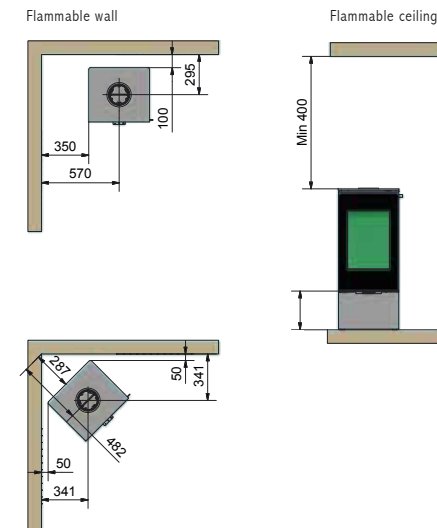
Output (Nominal)	5,7	kW
Output (Min-max)	3-7	kW
Heat (at 20 degrees)	45-105	m <sup>2</sup>
Efficiency	80	%
Particulates	2,24	g/kg

DISTANCE TO FLAMMABLE MATERIAL

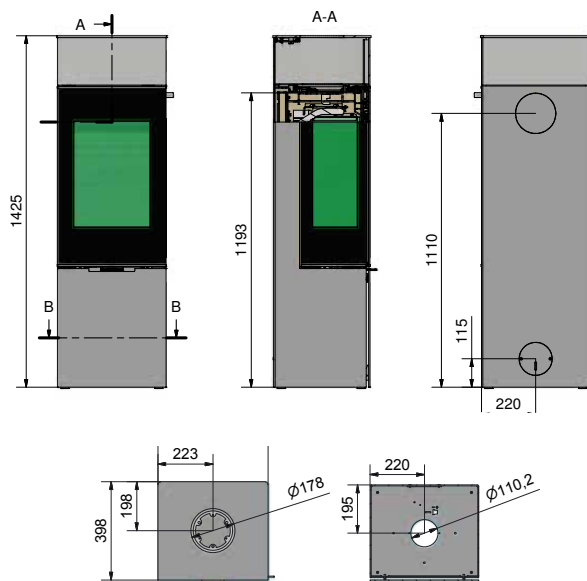
To wall at side	350	mm
To wall at back	100	mm
To non-flammable wall and at sides and back we recommend	50	mm

WEIGHT

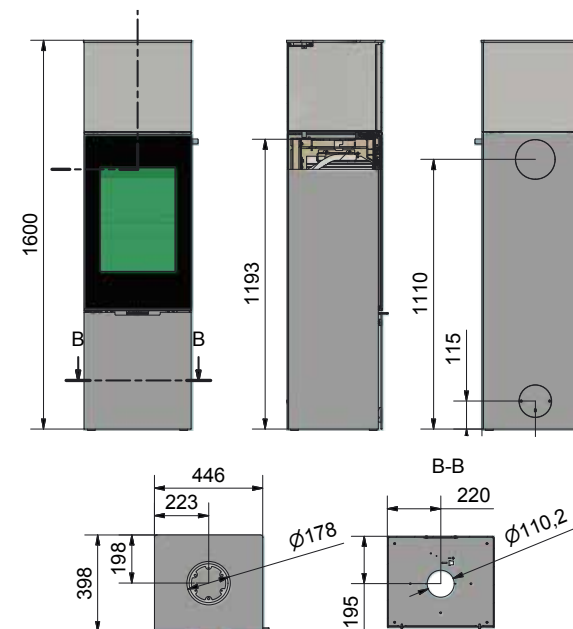
	165	kg
Heat accumulation stone	72	kg



A+



A+



# RAIS NEXO 160 WITH SIDE GLASS



TECHNICAL DATA:

DIMENSIONS (W-D-H)

Woodburning stove's ext. dim.	446-398-1600	mm
Combustion chamber's int. dim.	344-253-510	mm
Flue exit (diameter)	Ø125 / Ø150	mm
Distance from center of flue to back edge of the top plate	198	mm
Distance from floor to AirSystem connection	115	mm
Distance from floor to centre flue exit top plate	1193	mm
Distance from floor to flue exit at back	1110	mm
AirSystem connection	Ø100	mm

KEY FIGURES

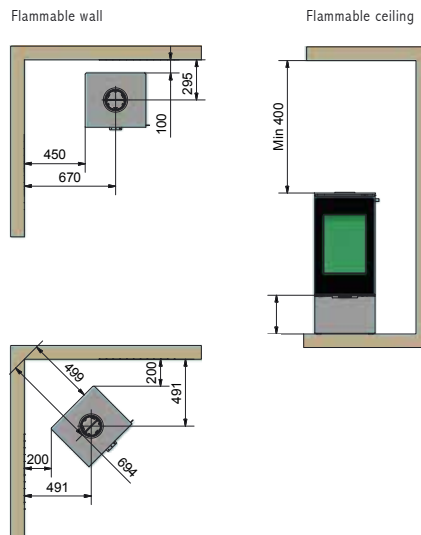
Output (Nominal)	5,7	kW
Output (Min-max)	3-7	kW
Heat (at 20 degrees)	45-105	m <sup>2</sup>
Efficiency	80	%
Particulates	2,24	g/kg

DISTANCE TO FLAMMABLE MATERIAL

To wall at side	450	mm
To wall at back	100	mm
To non-flammable wall and at sides and back we recommend	50	mm

WEIGHT

	176	kg
Heat accumulation stone	72	kg



# RAIS NEXO 185 WITHOUT SIDE GLASS



TECHNICAL DATA:

DIMENSIONS (W-D-H)

Woodburning stove's ext. dim.	446-398-1860	mm
Combustion chamber's int. dim.	344-253-510	mm
Flue exit (diameter)	Ø125 / Ø150	mm
Distance from center of flue to back edge of the top plate	198	mm
Distance from floor to AirSystem connection	115	mm
Distance from floor to centre flue exit top plate	1193	mm
Distance from floor to flue exit at back	1110	mm
AirSystem connection	Ø100	mm

KEY FIGURES

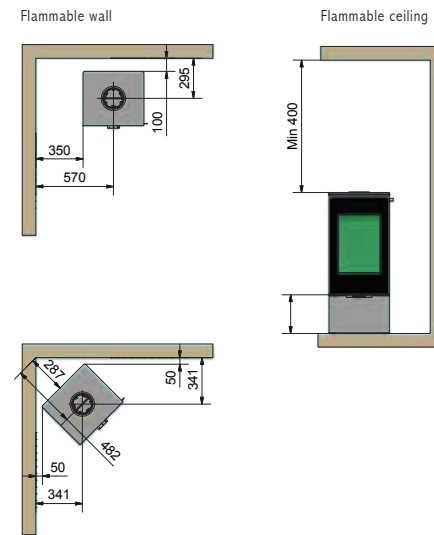
Output (Nominal)	5,7	kW
Output (Min-max)	3-7	kW
Heat (at 20 degrees)	45-105	m <sup>2</sup>
Efficiency	80	%
Particulates	2,24	g/kg

DISTANCE TO FLAMMABLE MATERIAL

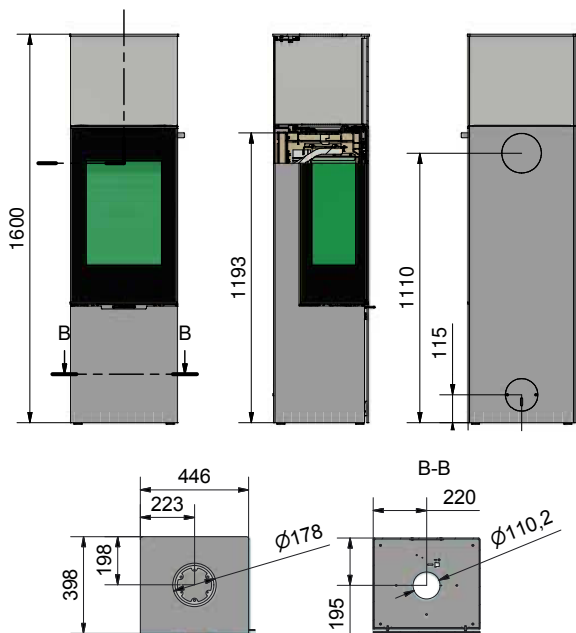
To wall at side	350	mm
To wall at back	100	mm
To non-flammable wall and at sides and back we recommend	50	mm

WEIGHT

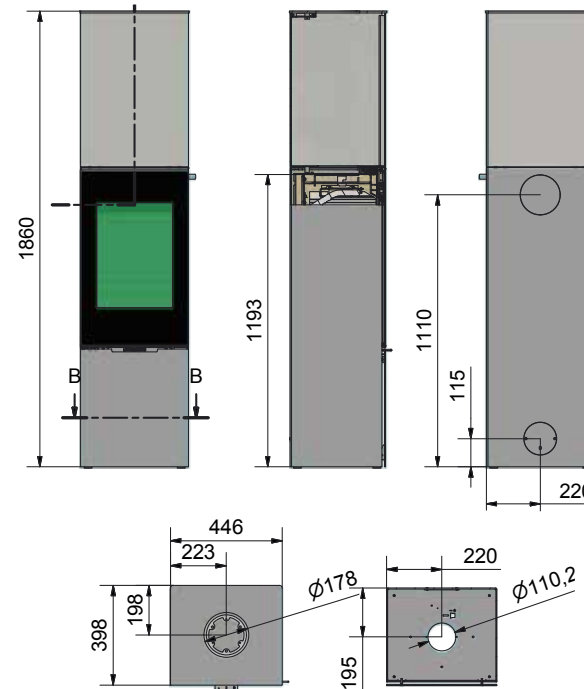
	180	kg
Heat accumulation stone	120	kg



A+



A+





# RAIS NEXO 185 WITH SIDE GLASS



TECHNICAL DATA:

DIMENSIONS (W-D-H)

Woodburning stove's ext. dim.	446-398-1860	mm
Combustion chamber's int. dim.	344-253-510	mm
Flue exit (diameter)	Ø125 / Ø150	mm
Distance from center of flue to back edge of the top plate	198	mm
Distance from floor to AirSystem connection	115	mm
Distance from floor to centre flue exit top plate	1193	mm
Distance from floor to flue exit at back	1110	mm
AirSystem connection	Ø100	mm

KEY FIGURES

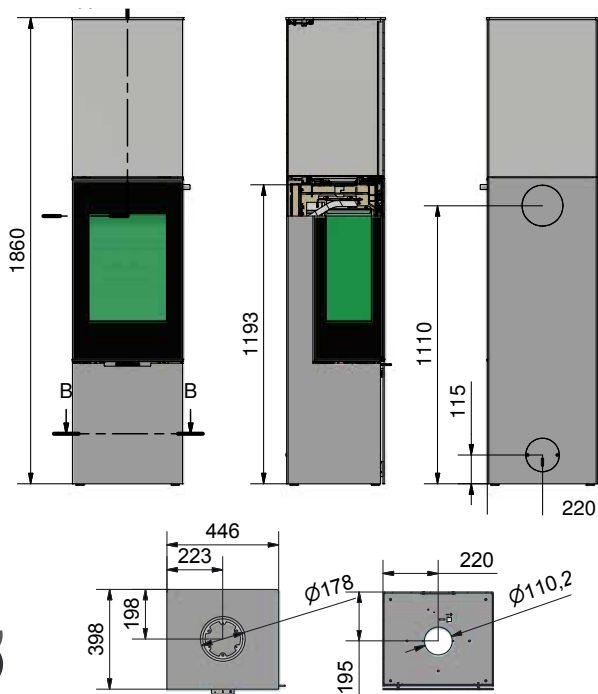
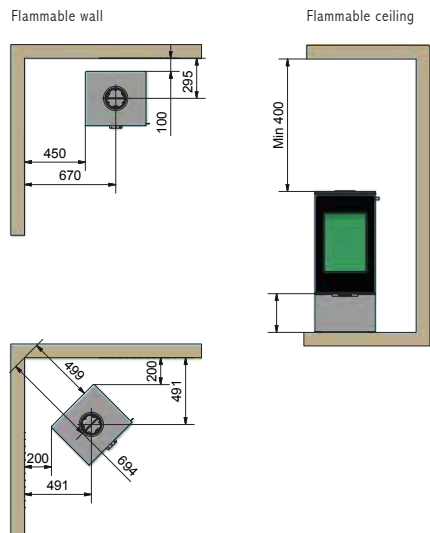
Output (Nominal)	5,7	kW
Output (Min-max)	3-7	kW
Heat (at 20 degrees)	45-105	m <sup>2</sup>
Efficiency	80	%
Particulates	2,24	g/kg

DISTANCE TO FLAMMABLE MATERIAL

To wall at side	450	mm
To wall at back	100	mm
To non-flammable wall and at sides and back we recommend	50	mm

WEIGHT

	180	kg
Heat accumulation stone	120	kg



# RAIS VIVA L 100 WITHOUT SIDE GLASS



TECHNICAL DATA:

DIMENSIONS (W-D-H)

Woodburning stove's ext. dim.	Ø470-1000	mm
Combustion chamber's int. dim.	352-292-446	mm
Flue exit (diameter)	Ø125 / Ø150	mm
Distance from center of flue to back edge of the top plate	235	mm
Distance from floor to AirSystem connection	121	mm
Distance from floor to centre flue exit top plate	959	mm
Distance from floor to flue exit at back	887	mm
AirSystem connection	Ø100	mm

KEY FIGURES

Output (Nominal)	4,8	kW
Output (Min-max)	3-7	kW
Heat (at 20 degrees)	45-105	m <sup>2</sup>
Efficiency	80	%
Particulates	1,89* / 2,11	g/kg

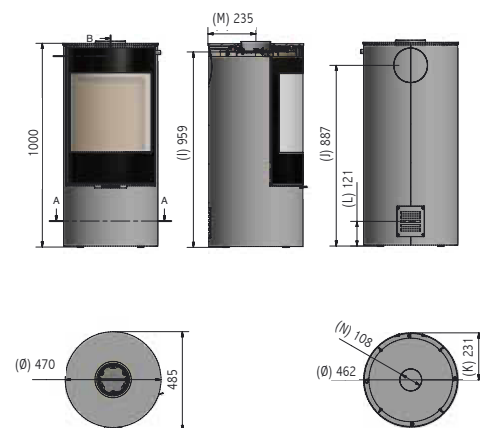
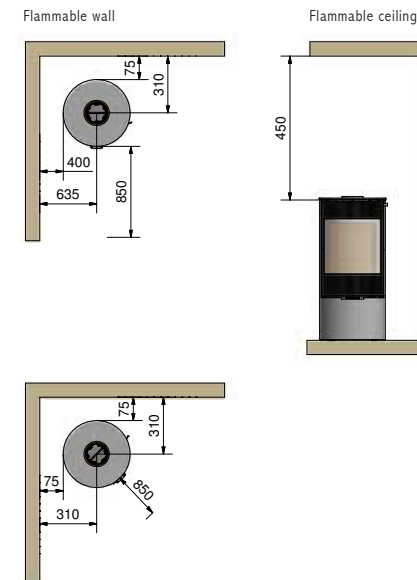
DISTANCE TO FLAMMABLE MATERIAL

To wall at side	400	mm
To wall at back	75	mm
To non-flammable wall and at sides and back we recommend	50	mm

WEIGHT

	90	kg
--	----	----

\* CleverAir



# RAIS VIVA L 100 WITH SIDE GLASS



TECHNICAL DATA:

DIMENSIONS (W-D-H)

Woodburning stove's ext. dim.	Ø470-1000	mm
Combustion chamber's int. dim.	352-292-446	mm
Flue exit (diameter)	Ø125 / Ø150	mm
Distance from center of flue to back edge of the top plate	235	mm
Distance from floor to AirSystem connection	121	mm
Distance from floor to centre flue exit top plate	959	mm
Distance from floor to flue exit at back	887	mm
AirSystem connection	Ø100	mm

KEY FIGURES

Output (Nominal)	4,8	kW
Output (Min-max)	3-7	kW
Heat (at 20 degrees)	45-105	m <sup>2</sup>
Efficiency	80	%
Particulates	1,89* / 2,11	g/kg

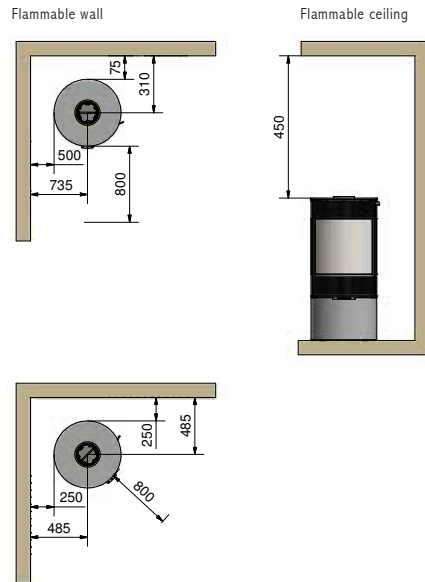
DISTANCE TO FLAMMABLE MATERIAL

To wall at side	500	mm
To wall at back	75	mm
To non-flammable wall and at sides and back we recommend	50	mm

WEIGHT	90	kg
--------	----	----

\* CleverAir

A+



# RAIS VIVA L 120 WITHOUT SIDE GLASS



TECHNICAL DATA:

DIMENSIONS (W-D-H)

Woodburning stove's ext. dim.	Ø470-1218	mm
Combustion chamber's int. dim.	352-292-446	mm
Flue exit (diameter)	Ø125 / Ø150	mm
Distance from center of flue to back edge of the top plate	235	mm
Distance from floor to AirSystem connection	121	mm
Distance from floor to centre flue exit top plate	1039	mm
Distance from floor to flue exit at back	967	mm
AirSystem connection	Ø100	mm

KEY FIGURES

Output (Nominal)	4,8	kW
Output (Min-max)	3-7	kW
Heat (at 20 degrees)	45-105	m <sup>2</sup>
Efficiency	80	%
Particulates	1,89* / 2,11	g/kg

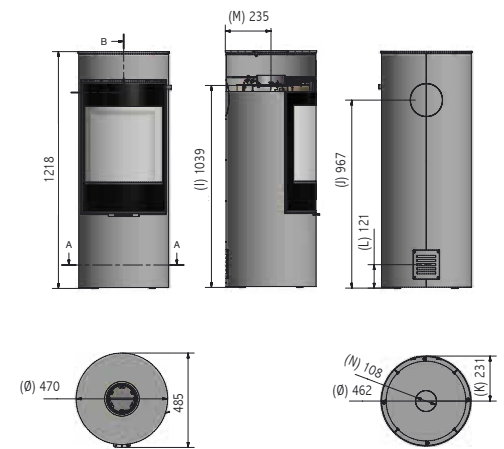
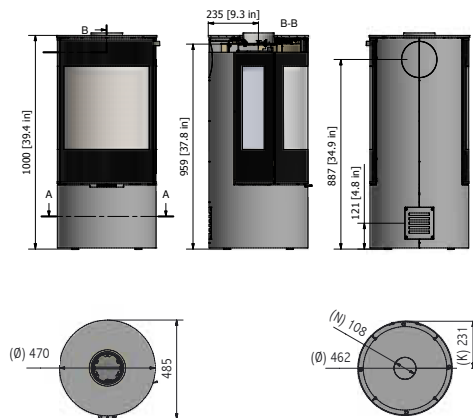
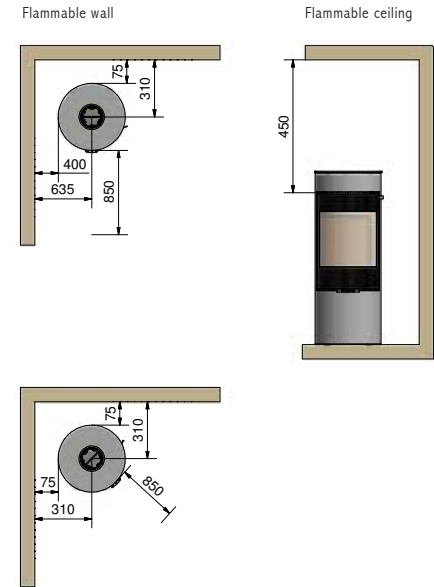
DISTANCE TO FLAMMABLE MATERIAL

To wall at side	400	mm
To wall at back	75	mm
To non-flammable wall and at sides and back we recommend	50	mm

WEIGHT	100	kg
- heat accumulation stone	25	kg

\* CleverAir

A+





# RAIS VIVA L 120 WITH SIDE GLASS



TECHNICAL DATA:

DIMENSIONS (W-D-H)

Woodburning stove's ext. dim.	Ø470-1218	mm
Combustion chamber's int. dim.	352-292-446	mm
Flue exit (diameter)	Ø125 / Ø150	mm
Distance from center of flue to back edge of the top plate	235	mm
Distance from floor to AirSystem connection	121	mm
Distance from floor to centre flue exit top plate	1039	mm
Distance from floor to flue exit at back	967	mm
AirSystem connection	Ø100	mm

KEY FIGURES

Output (Nominal)	4,8	kW
Output (Min-max)	3-7	kW
Heat (at 20 degrees)	45-105	m <sup>2</sup>
Efficiency	80	%
Particulates	1,89* / 2,11	g/kg

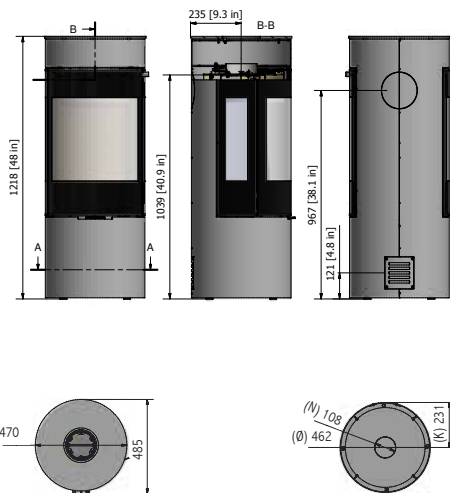
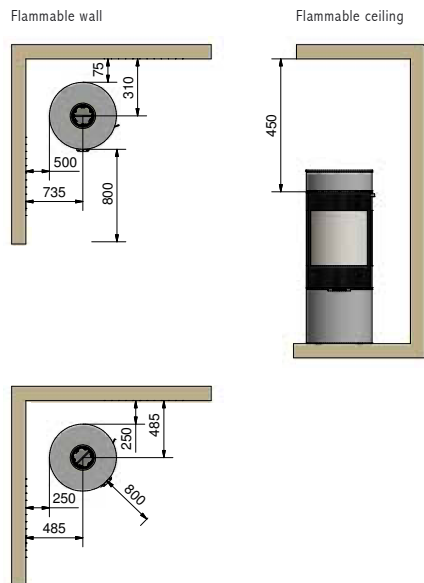
DISTANCE TO FLAMMABLE MATERIAL

To wall at side	500	mm
To wall at back	75	mm
To non-flammable wall and at sides and back we recommend	50	mm

WEIGHT

	100	kg
- heat accumulation stone	25	kg

\* CleverAir



reddot design award  
winner 2017

# RAIS VIVA L 160 WITHOUT SIDE GLASS



TECHNICAL DATA:

DIMENSIONS (W-D-H)

Woodburning stove's ext. dim.	Ø470-1618	mm
Combustion chamber's int. dim.	352-292-446	mm
Flue exit (diameter)	Ø125 / Ø150	mm
Distance from center of flue to back edge of the top plate	235	mm
Distance from floor to AirSystem connection	115	mm
Distance from floor to centre flue exit top plate	1099	mm
Distance from floor to flue exit at back	1021	mm
AirSystem connection	Ø100	mm

KEY FIGURES

Output (Nominal)	4,8	kW
Output (Min-max)	3-7	kW
Heat (at 20 degrees)	45-105	m <sup>2</sup>
Efficiency	80	%
Particulates	1,89* / 2,11	g/kg

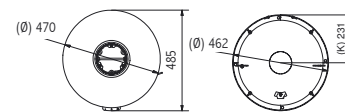
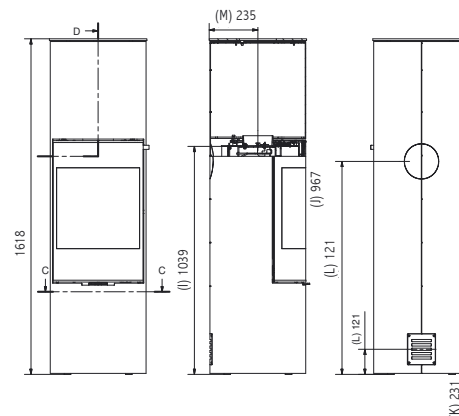
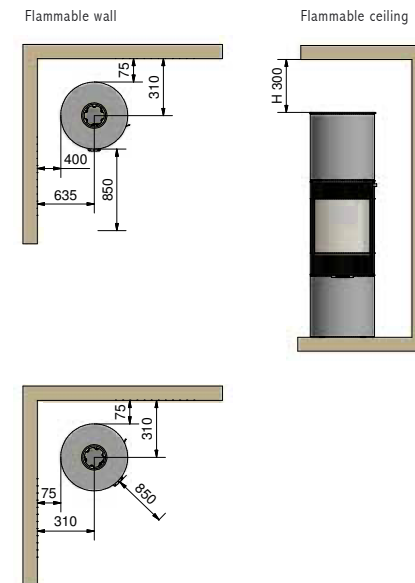
DISTANCE TO FLAMMABLE MATERIAL

To wall at side	400	mm
To wall at back	75	mm
To non-flammable wall and at sides and back we recommend	50	mm

WEIGHT

	120	kg
- heat accumulation stone	96	kg

\* CleverAir



reddot design award  
winner 2017

# RAIS VIVA L 160 WITH SIDE GLASS



TECHNICAL DATA:

DIMENSIONS (W-D-H)

Woodburning stove's ext. dim.	Ø470-1618	mm
Combustion chamber's int. dim.	352-292-446	mm
Flue exit (diameter)	Ø125 / Ø150	mm
Distance from center of flue to back edge of the top plate	235	mm
Distance from floor to AirSystem connection	115	mm
Distance from floor to centre flue exit top plate	1099	mm
Distance from floor to flue exit at back	1021	mm
AirSystem connection	Ø100	mm

KEY FIGURES

Output (Nominal)	4,8	kW
Output (Min-max)	3-7	kW
Heat (at 20 degrees)	45-105	m <sup>2</sup>
Efficiency	80	%
Particulates	1,89* / 2,11	g/kg

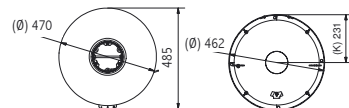
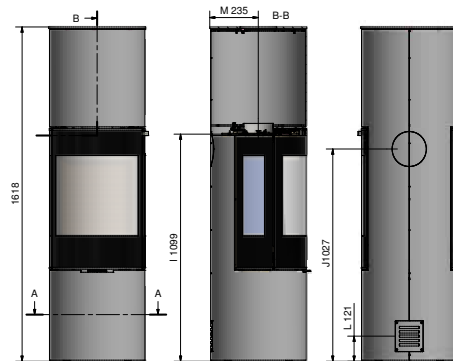
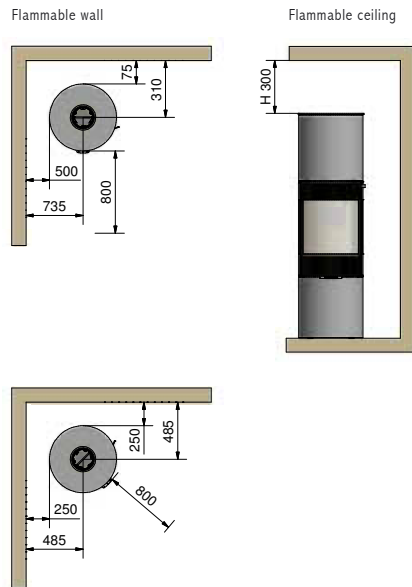
DISTANCE TO FLAMMABLE MATERIAL

To wall at side	400	mm
To wall at back	75	mm
To non-flammable wall and at sides and back we recommend	50	mm

WEIGHT

- heat accumulation stone	120	kg
	96	kg

\* CleverAir



# RAIS RINA

TECHNICAL DATA:

DIMENSIONS (W-D-H)

Woodburning stove's ext. dim.	461-411-901	mm
Combustion chamber's int. dim.	295-225-393	mm
Flue exit (diameter)	Ø125 / Ø150	mm
Distance from center of flue to back edge of the top plate	179	mm
Distance from floor to AirSystem connection	119	mm
Distance from floor to centre flue exit top plate	861	mm
Distance from floor to flue exit at back	786	mm
AirSystem connection	Ø100	mm

KEY FIGURES

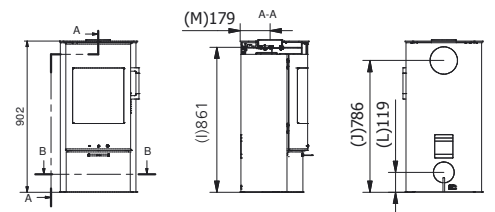
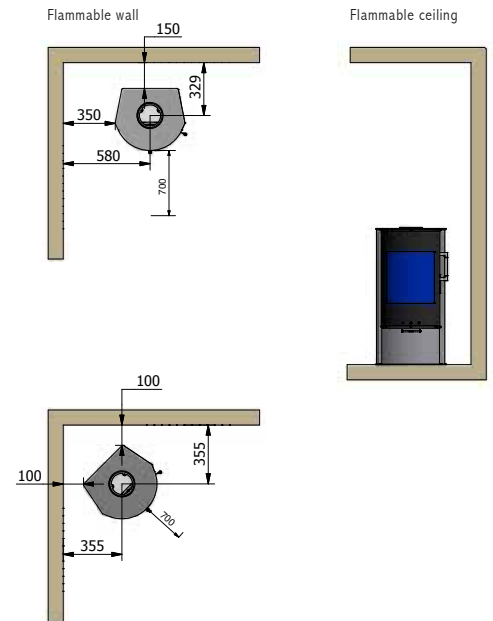
Output (Nominal)	4	kW
Output (Min-max)	2-6	kW
Heat (at 20 degrees)	30-90	m <sup>2</sup>
Efficiency	79	%
Particulates	1,39	g/kg

DISTANCE TO FLAMMABLE MATERIAL

To wall at side	350	mm
To wall at back	150	mm
To non-flammable wall and at sides and back we recommend	50	mm

WEIGHT

	105	kg
--	-----	----





# RAIS Q-BE/Q-BE XL



TECHNICAL DATA:

DIMENSIONS (W-D-H)

Woodburning stove's ext. dim.	373-373-1370/1783	mm
Combustion chamber's int. dim.	239-239-505	mm
Flue exit (diameter)	Ø150	mm
Distance from center of flue to back edge of the top plate	187	mm
Distance from floor to AirSystem connection	120	mm
Distance from floor to centre flue exit top plate	1329	mm
AirSystem connection	Ø100	mm

KEY FIGURES

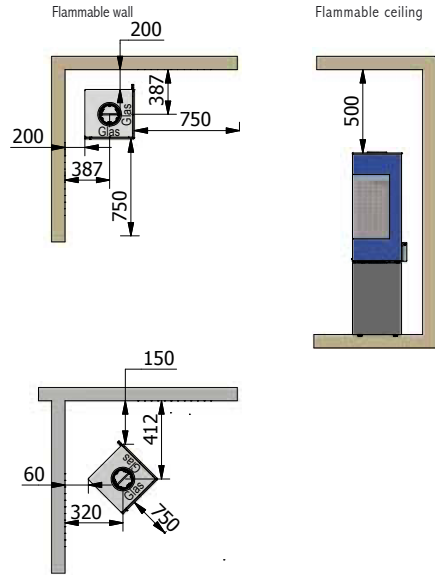
Output (Nominal)	5,0	kW
Output (Min-max)	4-8	kW
Heat (at 20 degrees)	60-120	m <sup>2</sup>
Efficiency	80	%
Particulates	1,4	g/kg

DISTANCE TO FLAMMABLE MATERIAL

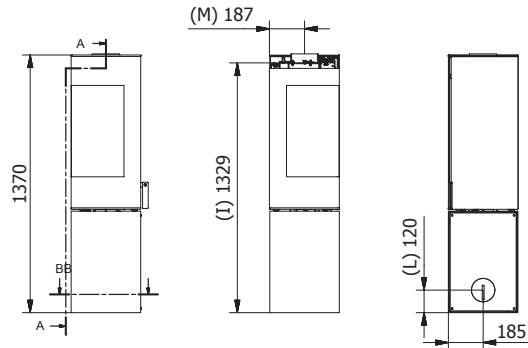
To wall at side	200	mm
To wall at back	200	mm
To non-flammable wall and at sides and back we recommend	50	mm

WEIGHT

	135/165	kg
- heat accumulation stone	20	kg
- XL heat accumulation stone	72	kg



A+



# RAIS Q-TEE

TECHNICAL DATA:

DIMENSIONS (W-D-H)

Woodburning stove's ext. dim.	435-388-565/645/850	mm
Combustion chamber's int. dim.	317-270-270	mm
Flue exit (diameter)	Ø125 / Ø150	mm
Distance from center of flue to back edge of the top plate	131	mm
Distance from floor to AirSystem connection	105/185/390	mm
Distance from floor to centre flue exit top plate	557-637/842	mm
Distance from floor to flue exit at back	201/207	mm
AirSystem connection	Ø100	mm

KEY FIGURES

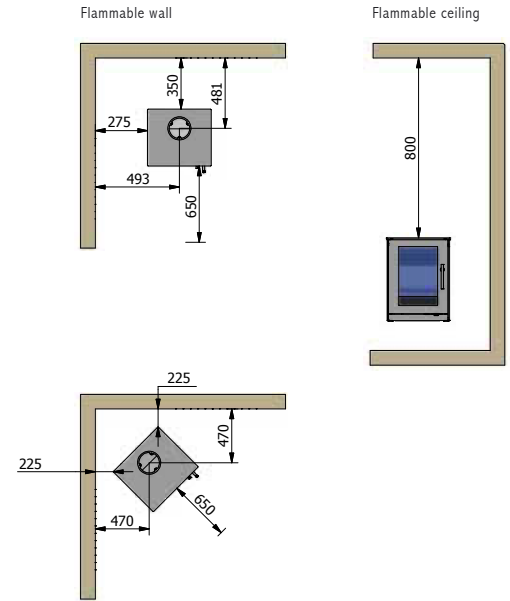
Output (Nominal)	4,1	kW
Output (Min-max)	2-6	kW
Heat (at 20 degrees)	30-90	m <sup>2</sup>
Efficiency	80	%
Particulates	0,8	g/kg

DISTANCE TO FLAMMABLE MATERIAL

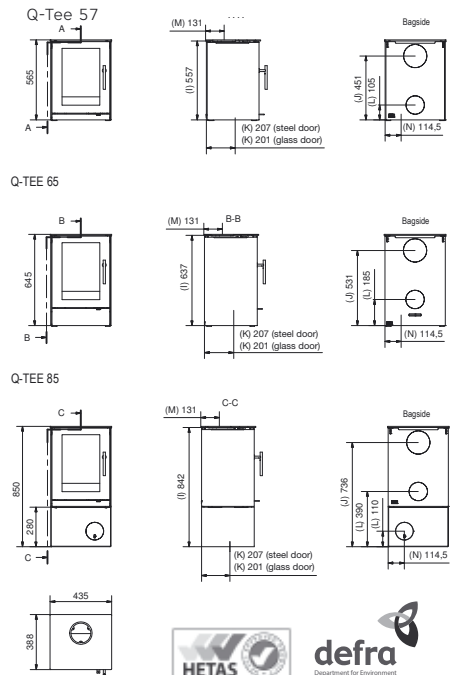
To wall at side	275	mm
To wall at back	350	mm
To non-flammable wall and at sides and back we recommend	50	mm

WEIGHT

	80/83/95	kg
--	----------	----



A+



# RAIS Q-TEE 2

TECHNICAL DATA:

DIMENSIONS (W-D-H)

Woodburning stove's ext. dim.	582-410-598 mm
Combustion chamber's int. dim.	446-277-265 mm
Flue exit (diameter)	Ø125 / Ø150 mm
Distance from center of flue to back edge of the top plate	131 mm
Distance from floor to AirSystem connection	105 mm
Distance from floor to centre flue exit top plate	590 mm
Distance from floor to flue exit at back	470 mm
AirSystem connection	Ø100 mm

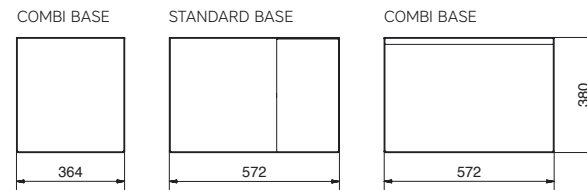
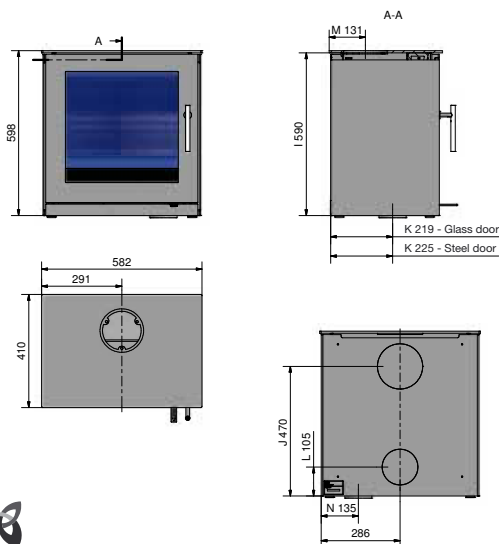
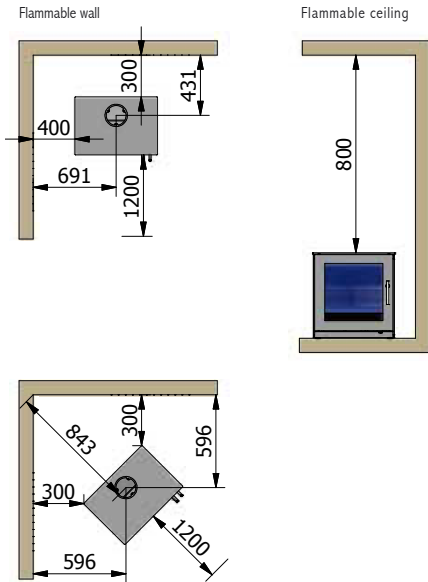
KEY FIGURES

Output (Nominal)	6,5 kW
Output (Min-max)	3-8 kW
Heat (at 20 degrees)	45-120 m <sup>2</sup>
Efficiency	81 %
Particulates	1,9 g/kg

DISTANCE TO FLAMMABLE MATERIAL

To wall at side	400 mm
To wall at back	300 mm
To non-flammable wall and at sides and back we recommend	50 mm

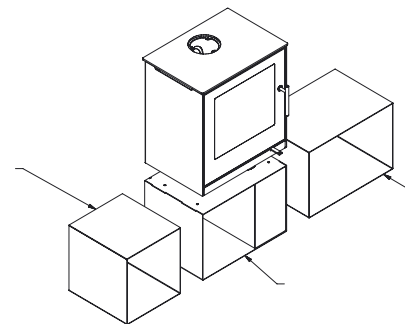
WEIGHT	150 kg
--------	--------



THE COMBI BASE

These extra modules provide flexibility and various options in terms of the design. Place your Q-Tee 2 as you see fit! Then use further modules to implement your ideas for the room.

The Q-Tee model can also be placed on a combi base element (see photo). Combi base elements can also be used individually or multiple as an alternative firewood rack.





# RAIS Q-TEE 2 WITH BASE

TECHNICAL DATA:

DIMENSIONS (W-D-H)

Woodburning stove's ext. dim.	582-410-883/983	mm
Combustion chamber's int. dim.	446-277-265	mm
Flue exit (diameter)	Ø125 / Ø150	mm
Distance from center of flue to back edge of the top plate	131	mm
Distance from floor to AirSystem connection	110/390/490	mm
Distance from floor to centre flue exit top plate	875/975	mm
Distance from floor to flue exit at back	755/855	mm
AirSystem connection	Ø100	mm

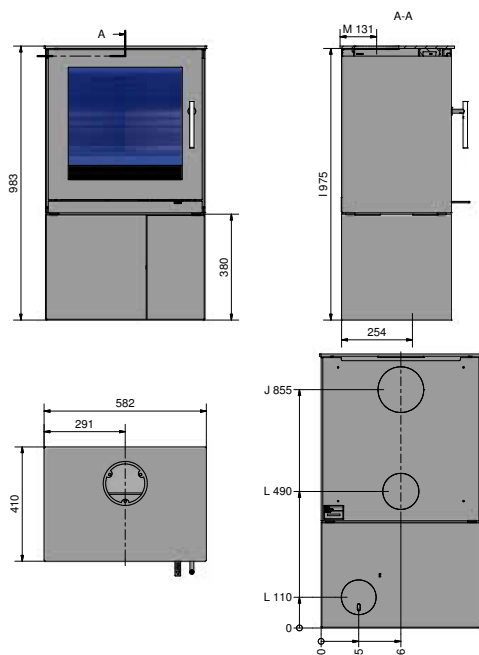
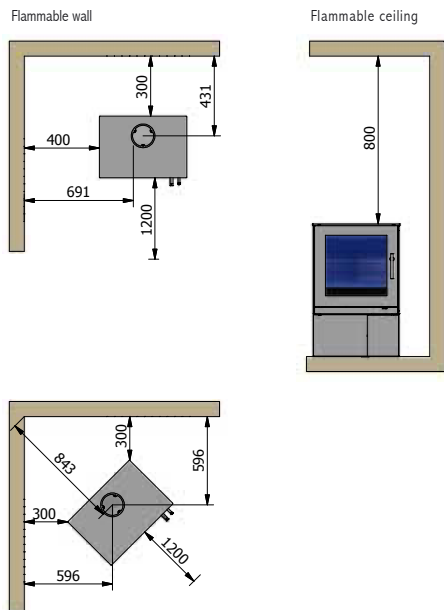
KEY FIGURES

Output (Nominal)	6,5	kW
Output (Min-max)	3-8	kW
Heat (at 20 degrees)	45-120	m <sup>2</sup>
Efficiency	81	%
Particulates	1,9	g/kg

DISTANCE TO FLAMMABLE MATERIAL

To wall at side	400	mm
To wall at back	300	mm
To non-flammable wall and at sides and back we recommend	50	mm

WEIGHT	173/175	kg
--------	---------	----



# RAIS Q-TEE 2 WITH LEGS

TECHNICAL DATA:

DIMENSIONS (W-D-H)

Woodburning stove's ext. dim.	582-410-723/763	mm
Combustion chamber's int. dim.	446-277-265	mm
Flue exit (diameter)	Ø125 / Ø150	mm
Distance from center of flue to back edge of the top plate	131	mm
Distance from floor to AirSystem connection	230/270	mm
Distance from floor to centre flue exit top plate	715/755	mm
Distance from floor to flue exit at back	595/635	mm
AirSystem connection	Ø100	mm

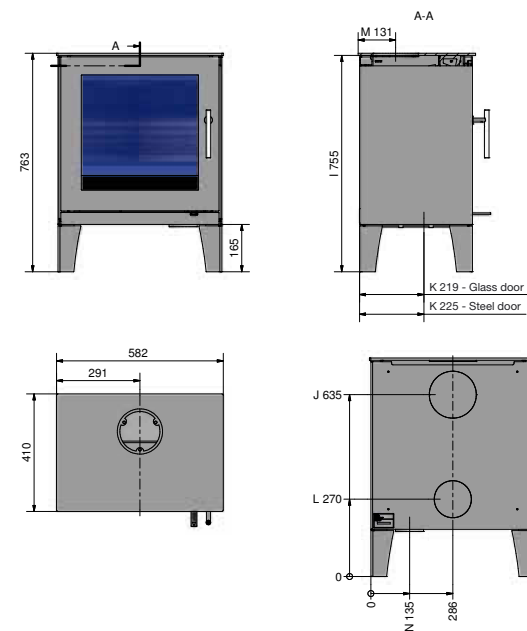
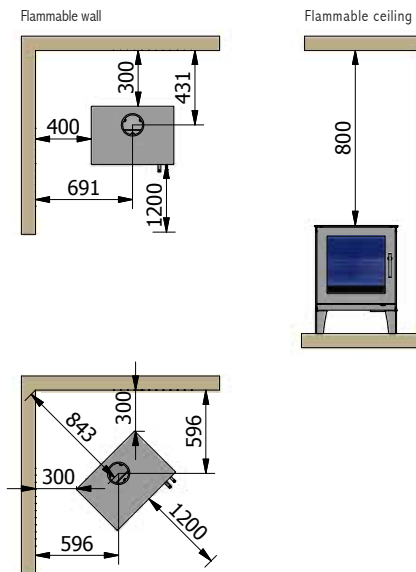
KEY FIGURES

Output (Nominal)	6,5	kW
Output (Min-max)	3-8	kW
Heat (at 20 degrees)	45-120	m <sup>2</sup>
Efficiency	81	%
Particulates	1,9	g/kg

DISTANCE TO FLAMMABLE MATERIAL

To wall at side	400	mm
To wall at back	300	mm
To non-flammable wall and at sides and back we recommend	50	mm

WEIGHT	157/158	kg
--------	---------	----



# RAIS Q-TEE 2 C

TECHNICAL DATA:

DIMENSIONS (W-D-H)

Woodburning stove's ext. dim.	660-479-598	mm
Combustion chamber's int. dim.	446-277-256	mm
Flue exit (diameter)	Ø125 / Ø150	mm
Distance from center of flue to back edge of the top plate	159	mm
Distance from floor to AirSystem connection	105	mm
Distance from floor to centre flue exit top plate	590	mm
Distance from floor to flue exit at back	470	mm
AirSystem connection	Ø100	mm

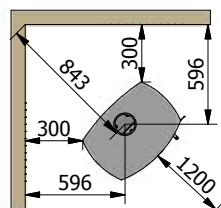
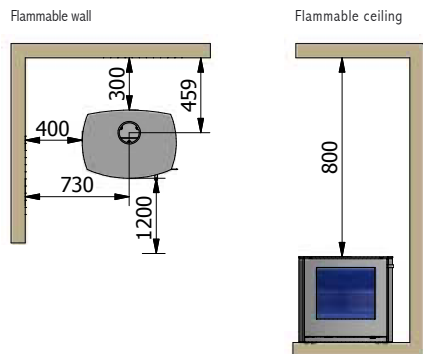
KEY FIGURES

Output (Nominal)	6,5	kW
Output (Min-max)	3-8	kW
Heat (at 20 degrees)	45-120	m <sup>2</sup>
Efficiency	81	%
Particulates	1,9	g/kg

DISTANCE TO FLAMMABLE MATERIAL

To wall at side	400	mm
To wall at back	300	mm
To non-flammable wall and at sides and back we recommend	50	mm

WEIGHT	150	kg
--------	-----	----



# RAIS Q-TEE 2 C WITH BASE

TECHNICAL DATA:

DIMENSIONS (W-D-H)

Woodburning stove's ext. dim.	660-479-881/981	mm
Combustion chamber's int. dim.	440-277-256	mm
Flue exit (diameter)	Ø125 / Ø150	mm
Distance from center of flue to back edge of the top plate	159	mm
Distance from floor to AirSystem connection	108	mm
Distance from floor to centre flue exit top plate	873/973	mm
Distance from floor to flue exit at back	753/853	mm
AirSystem connection	Ø100	mm

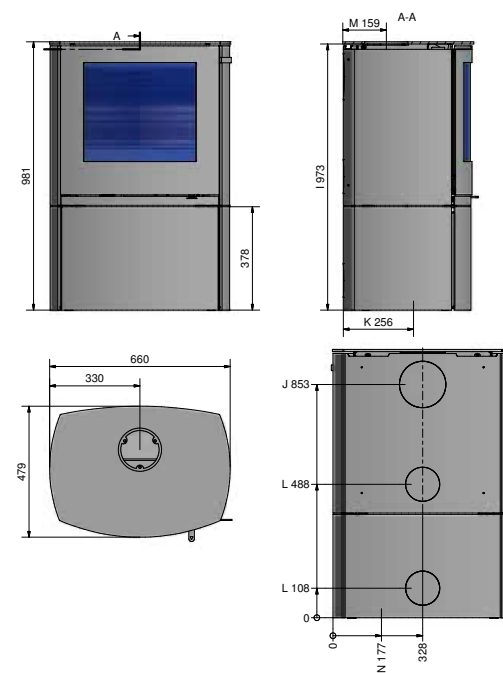
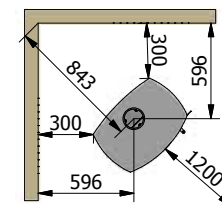
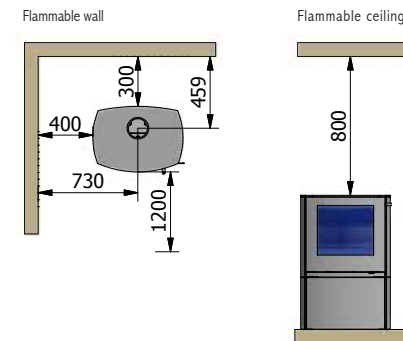
KEY FIGURES

Output (Nominal)	6,5	kW
Output (Min-max)	3-8	kW
Heat (at 20 degrees)	45-120	m <sup>2</sup>
Efficiency	81	%
Particulates	1,9	g/kg

DISTANCE TO FLAMMABLE MATERIAL

To wall at side	400	mm
To wall at back	300	mm
To non-flammable wall and at sides and back we recommend	50	mm

WEIGHT	180/185	kg
--------	---------	----





# RAIS Q-TEE 2 C WITH LEGS

TECHNICAL DATA:

DIMENSIONS (W-D-H)

Woodburning stove's ext. dim.	660-479-723/768	mm
Combustion chamber's int. dim.	446-277-256	mm
Flue exit (diameter)	Ø125 / Ø150	mm
Distance from center of flue to back edge of the top plate	159	mm
Distance from floor to AirSystem connection	230/275	mm
Distance from floor to centre flue exit top plate	715/760	mm
Distance from floor to flue exit at back	640/595	mm
AirSystem connection	Ø100	mm

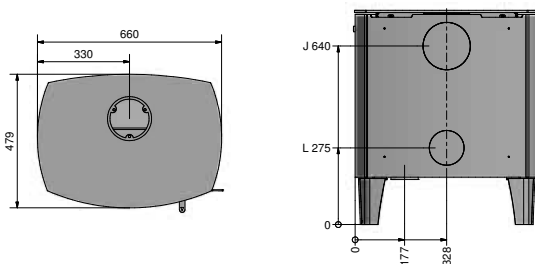
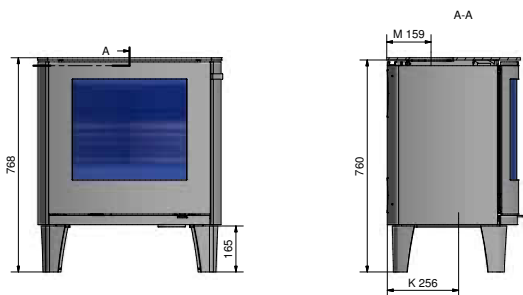
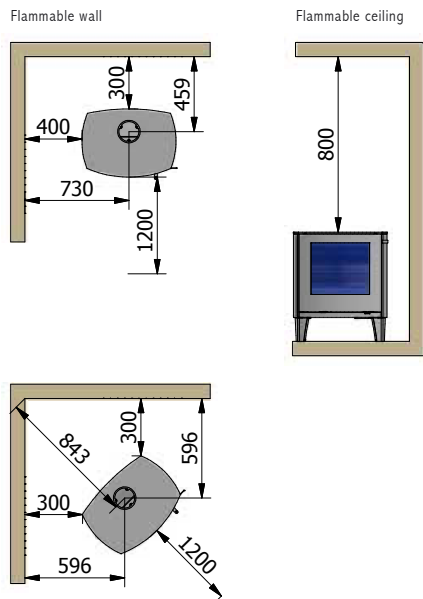
KEY FIGURES

Output (Nominal)	6,5	kW
Output (Min-max)	3-8	kW
Heat (at 20 degrees)	45-120	m <sup>2</sup>
Efficiency	81	%
Particulates	1,9	g/kg

DISTANCE TO FLAMMABLE MATERIAL

To wall at side	400	mm
To wall at back	300	mm
To non-flammable wall and at sides and back we recommend	50	mm

WEIGHT	157/158	kg
--------	---------	----



# RAIS JUNO 160/120 WITHOUT SIDE GLASS

TECHNICAL DATA:

DIMENSIONS (W-D-H)

Woodburning stove's ext. dim.	Ø470-1654/1200	mm
Combustion chamber's int. dim.	295-225-393	mm
Flue exit (diameter)	Ø125 / Ø150	mm
Distance from center of flue to back edge of the top plate	235	mm
Distance from floor to AirSystem connection	121	mm
Distance from floor to centre flue exit top plate	1095	mm
Distance from floor to flue exit at back	1015	mm
AirSystem connection	Ø100	mm

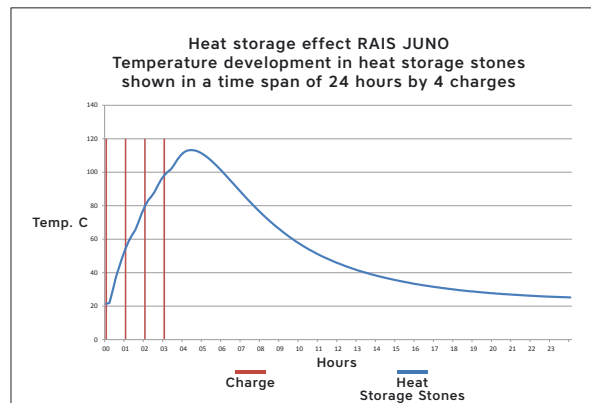
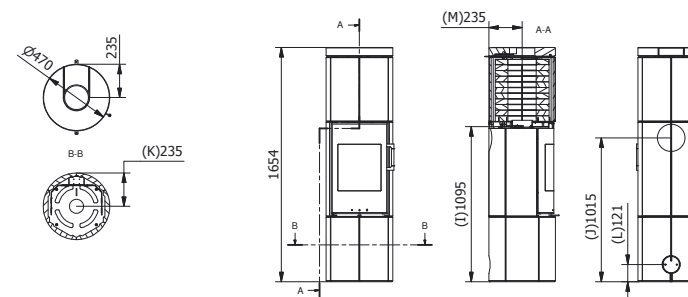
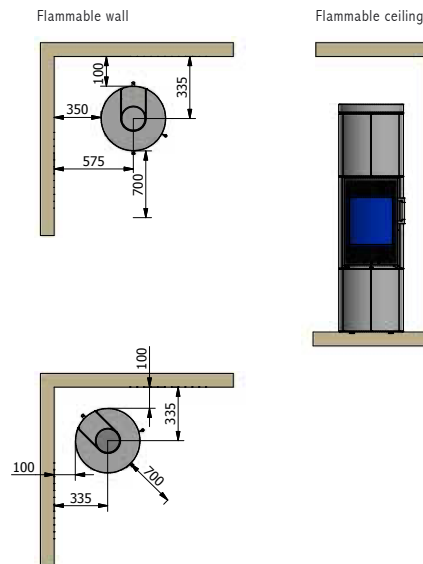
KEY FIGURES

Output (Nominal)	4	kW
Output (Min-max)	2-6	kW
Heat (at 20 degrees)	30-90	m <sup>2</sup>
Efficiency	79	%
Particulates	1,39	g/kg

DISTANCE TO FLAMMABLE MATERIAL

To wall at side	350	mm
To wall at back	100	mm
To non-flammable wall and at sides and back we recommend	50	mm

WEIGHT	286/238	kg
- heat accumulation stone	189/137	kg
Extra heat accumulation stone	84	kg



# RAIS JUNO 160/120 WITH SIDE GLASS

TECHNICAL DATA:

DIMENSIONS (W-D-H)

Woodburning stove's ext. dim.	Ø470-1654/1200	mm
Combustion chamber's int. dim.	295-225-393	mm
Flue exit (diameter)	Ø125 / Ø150	mm
Distance from center of flue to back edge of the top plate	235	mm
Distance from floor to AirSystem connection	121	mm
Distance from floor to centre flue exit top plate	1095	mm
Distance from floor to flue exit at back	1015	mm
AirSystem connection	Ø100	mm

KEY FIGURES

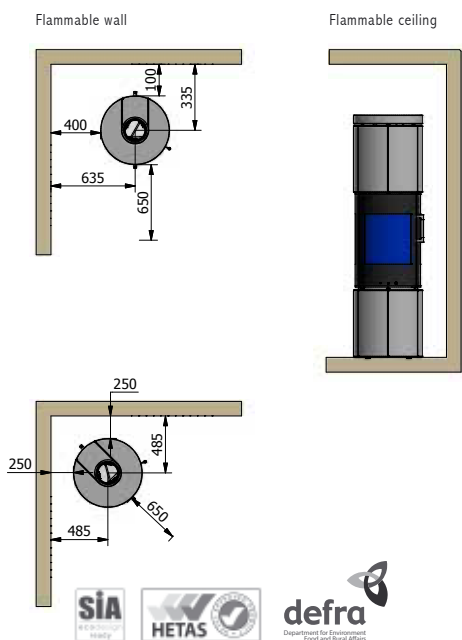
Output (Nominal)	4	kW
Output (Min-max)	2-6	kW
Heat (at 20 degrees)	30-90	m <sup>2</sup>
Efficiency	79	%
Particulates	1,39	g/kg

DISTANCE TO FLAMMABLE MATERIAL

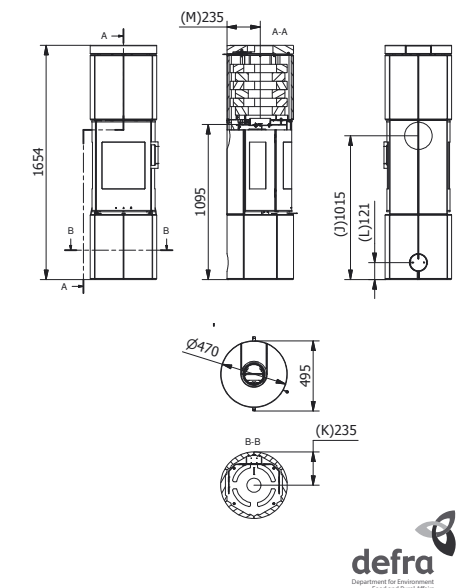
To wall at side	400	mm
To wall at back	100	mm
To non-flammable wall and at sides and back we recommend	50	mm

WEIGHT

	265/238	kg
- heat accumulation stone	169/117	kg
Extra heat accumulation stone	84	kg



A



# RAIS POLEO SOAPSTONE

TECHNICAL DATA:

DIMENSIONS (W-D-H)

Woodburning stove's ext. dim.	548-429-1090	mm
Combustion chamber's int. dim.	360-240-370	mm
Flue exit (diameter)	Ø150	mm
Distance from center of flue to back edge of the top plate	215	mm
Distance from floor to AirSystem connection	120	mm
Distance from floor to centre flue exit top plate	1010	mm
Distance from floor to flue exit at back	922	mm
AirSystem connection	Ø100	mm

KEY FIGURES

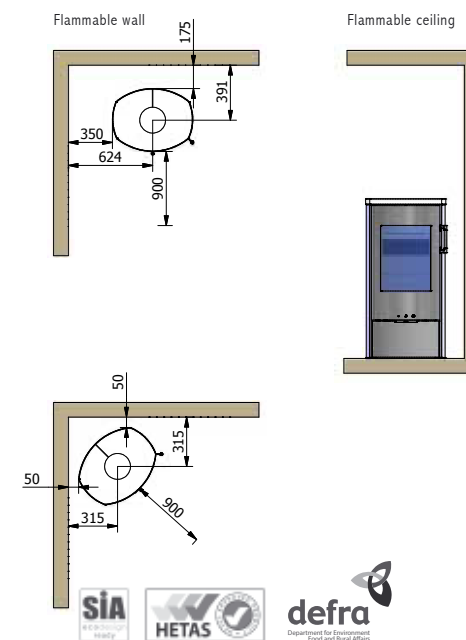
Output (Nominal)	5,8	kW
Output (Min-max)	4-8	kW
Heat (at 20 degrees)	60-120	m <sup>2</sup>
Efficiency	79	%
Particulates	2,6	g/kg

DISTANCE TO FLAMMABLE MATERIAL

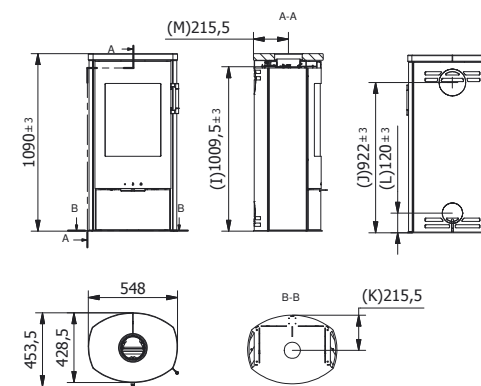
To wall at side	350	mm
To wall at back	175	mm
To non-flammable wall and at sides and back we recommend	50	mm

WEIGHT

	200	kg
- heat accumulation stone	77	kg



A





# RAIS RINA SOAPSTONE

TECHNICAL DATA:

DIMENSIONS (W-D-H)

Woodburning stove's ext. dim.	469-429-969 mm
Combustion chamber's int. dim.	295-225-393 mm
Flue exit (diameter)	Ø125 / Ø150 mm
Distance from center of flue to back edge of the top plate	178 mm
Distance from floor to AirSystem connection	119 mm
Distance from floor to centre flue exit top plate	894 mm
Distance from floor to flue exit at back	818 mm
AirSystem connection	Ø100 mm

KEY FIGURES

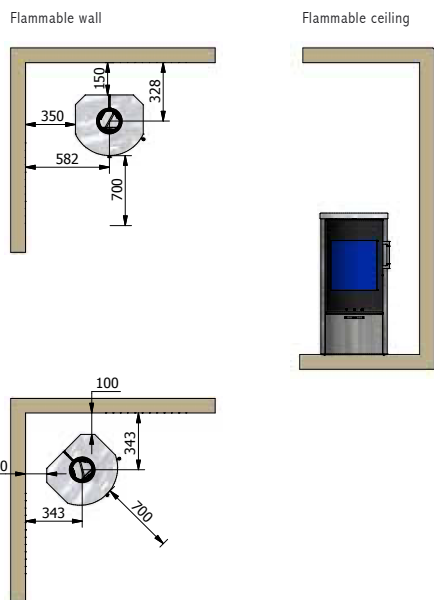
Output (Nominal)	4 kW
Output (Min-max)	2-6 kW
Heat (at 20 degrees)	30-90 m <sup>2</sup>
Efficiency	79 %
Particulates	1,39 g/kg

DISTANCE TO FLAMMABLE MATERIAL

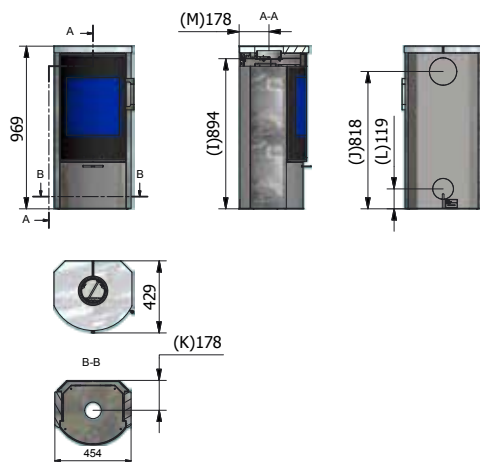
To wall at side	350 mm
To wall at back	150 mm
To non-flammable wall and at sides and back we recommend	50 mm

WEIGHT

	149 kg
- heat accumulation stone	63 kg



A



# RAIS JUNO 120/160 CERAMIC W/O SIDE GLASS

TECHNICAL DATA:

DIMENSIONS (W-D-H)

Woodburning stove's ext. dim.	Ø470-1654/1200 mm
Combustion chamber's int. dim.	295-225-393 mm
Flue exit (diameter)	Ø125 / Ø150 mm
Distance from center of flue to back edge of the top plate	235 mm
Distance from floor to AirSystem connection	121 mm
Distance from floor to centre flue exit top plate	1095 mm
Distance from floor to flue exit at back	1015 mm
AirSystem connection	Ø100 mm

KEY FIGURES

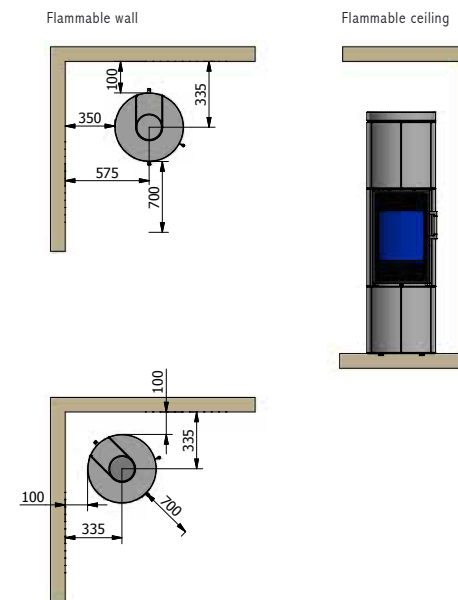
Output (Nominal)	4 kW
Output (Min-max)	2-6 kW
Heat (at 20 degrees)	30-90 m <sup>2</sup>
Efficiency	79 %
Particulates	1,39 g/kg

DISTANCE TO FLAMMABLE MATERIAL

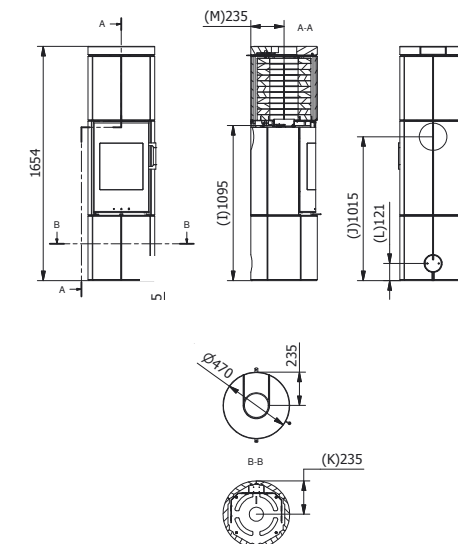
To wall at side	350 mm
To wall at back	100 mm
To non-flammable wall and at sides and back we recommend	50 mm

WEIGHT

	222/188 kg
- heat accumulation stone	189/137 kg
- Extra heat accumulation stone	84 kg



A



# RAIS JUNO 120/160 CERAMIC WITH SIDE GLASS

TECHNICAL DATA:

DIMENSIONS (W-D-H)

Woodburning stove's ext. dim.	Ø470-1654/1200	mm
Combustion chamber's int. dim.	320-225-393	mm
Flue exit (diameter)	Ø125 / Ø150	mm
Distance from center of flue to back edge of the top plate	235	mm
Distance from floor to AirSystem connection	121	mm
Distance from floor to centre flue exit top plate	1095	mm
Distance from floor to flue exit at back	1015	mm
AirSystem connection	Ø100	mm

KEY FIGURES

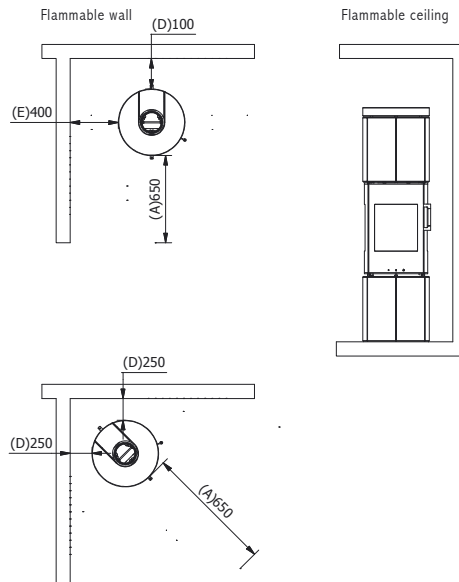
Output (Nominal)	4	kW
Output (Min-max)	2-6	kW
Heat (at 20 degrees)	30-90	m <sup>2</sup>
Efficiency	79	%
Particulates	1,39	g/kg

DISTANCE TO FLAMMABLE MATERIAL

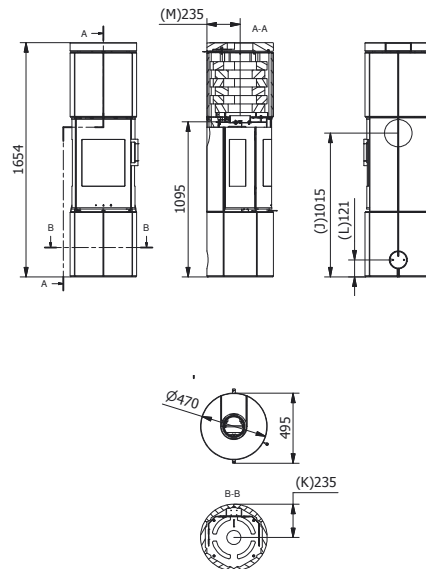
To wall at side	400	mm
To wall at back	100	mm
To non-flammable wall and at sides and back we recommend	50	mm

WEIGHT

	222/188	kg
- heat accumulation stone	126/92	kg
- Extra heat accumulation stone	74	kg



A



# RAIS VISIO 1

TECHNICAL DATA:

DIMENSIONS (W-D-H)

Fireplace inset's ext. dimensions	905-610-1643	mm
Combustion chamber's int. dim.	697-330-475	mm
Finished face opening	770-432	mm
Outer Frame Dimensions	781-444	mm
Flue exit (diameter)	200	mm
AirSystem connection	Ø150	mm

KEY FIGURES

Output (Nominal)	7	kW
Output (Min-max)	5-9	kW
Heat (at 20 degrees)	75-120	m <sup>2</sup>
Efficiency	80	%
Particulates	<6,5	g/kg

DISTANCE TO FLAMMABLE MATERIAL

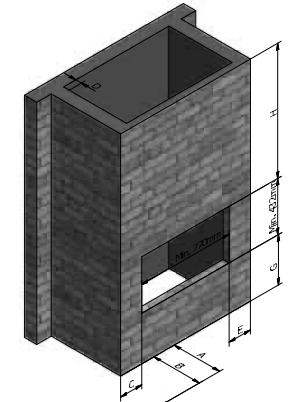
E - To wall at side	400	mm
D - To wall at back	75	mm
H - To the ceiling	1285	mm
C - To the side	-	mm
G - To the floor	385	mm
B - In front of the floor	-	mm
A - To furniture	1400	mm

WEIGHT

	280	kg
--	-----	----

Finished face opening - Brick (see user manual)

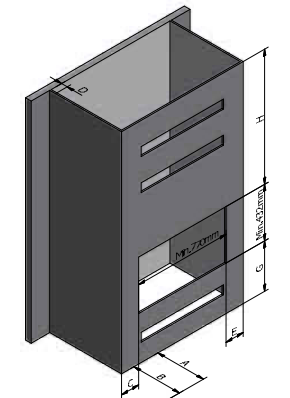
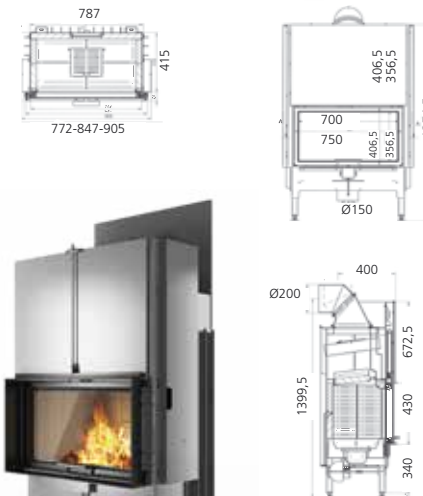
Recommended convection area top min. 600 cm<sup>2</sup> bottom min. 400 cm<sup>2</sup>



A+

Finished face opening - fire retardant material (see user manual)

Recommended convection area top min. 600 cm<sup>2</sup> bottom min. 400 cm<sup>2</sup>





# RAIS VISIO 2

TECHNICAL DATA:

DIMENSIONS (W-D-H)

Fireplace inset's ext. dimensions	833-593-1617 mm
Combustion chamber's int. dim.	533-333-466 mm
Finished face opening	685-490-432 mm
Outer Frame Dimensions	751-557-444 mm
Flue exit (diameter)	200 mm
AirSystem connection	Ø150 mm

KEY FIGURES

Output (Nominal)	7 kW
Output (Min-max)	5-9 kW
Heat (at 20 degrees)	75-120 m <sup>2</sup>
Efficiency	80 %
Particulates	<6,5 g/kg

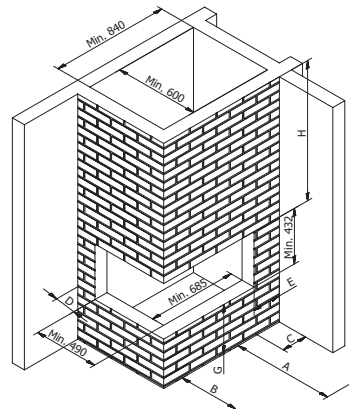
DISTANCE TO FLAMMABLE MATERIAL

E - To wall at side	300 mm
D - To wall at back	75 mm
H - To the ceiling	1285 mm
C - To the side	- mm
G - To the floor	385 mm
B - In front of the floor	- mm
A - To furniture	1200 mm

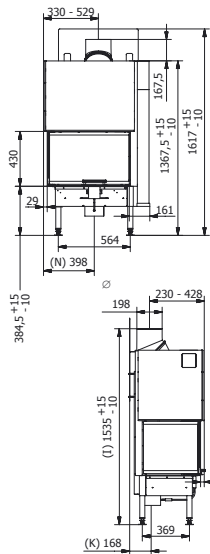
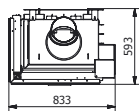
WEIGHT	259 kg
--------	--------

Finished face opening - Brick  
(see user manual)

Recommended convection area  
top min. 600 cm<sup>2</sup>  
bottom min. 400 cm<sup>2</sup>

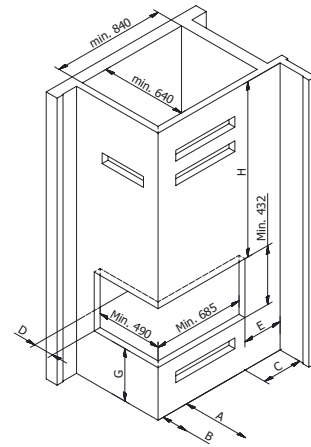


A+



Finished face opening –  
fire retardant material  
(see user manual)

Recommended convection area  
top min. 600 cm<sup>2</sup>  
bottom min. 400 cm<sup>2</sup>



# RAIS VISIO 3

TECHNICAL DATA:

DIMENSIONS (W-D-H)

Fireplace inset's ext. dimensions	759-564-1537 mm
Combustion chamber's int. dim.	533-333-466 mm
Finished face opening	685-490-432 mm
Outer Frame Dimensions	891-512-444 mm
Flue exit (diameter)	200 mm
AirSystem connection	Ø150 mm

KEY FIGURES

Output (Nominal)	7 kW
Output (Min-max)	5-9 kW
Heat (at 20 degrees)	75-120 m <sup>2</sup>
Efficiency	80 %
Particulates	<6,5 g/kg

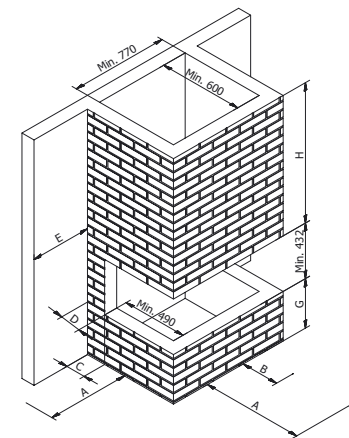
DISTANCE TO FLAMMABLE MATERIAL

E - To wall at side	220 mm
D - To wall at back	50 mm
H - To the ceiling	1285 mm
C - To the side	- mm
G - To the floor	385 mm
B - In front of the floor	- mm
A - To furniture	1200 mm

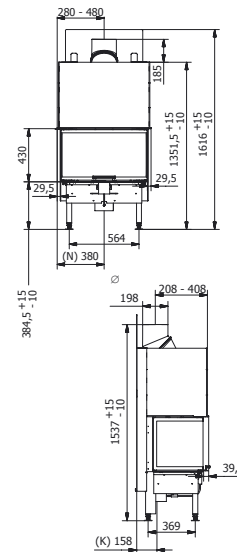
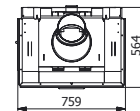
WEIGHT	260 kg
--------	--------

Finished face opening - Brick  
(see user manual)

Recommended convection area  
top min. 600 cm<sup>2</sup>  
bottom min. 400 cm<sup>2</sup>

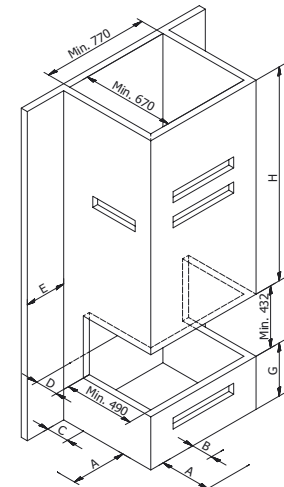


A+



Finished face opening –  
fire retardant material  
(see user manual)

Recommended convection area  
top min. 600 cm<sup>2</sup>  
bottom min. 400 cm<sup>2</sup>



# RAIS VISIO 2:1

TECHNICAL DATA:

DIMENSIONS (W-D-H)

Fireplace inset's ext. dimensions	962-652-1506	mm
Combustion chamber's int. dim.	694-222-210	mm
Finished face opening	788-444	mm
Outer Frame Dimensions	781-444/788-443	mm
Flue exit (diameter)	Ø200	mm
AirSystem connection	Ø150	mm

KEY FIGURES

Output (Nominal)	8,6	kW
Output (Min-max)	5-9	kW
Heat (at 20 degrees)	75-120	m <sup>2</sup>
Efficiency	80	%
Particulates	3,6	g/kg

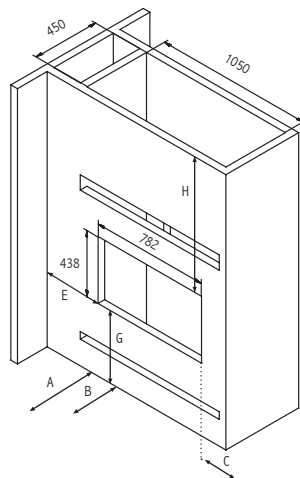
DISTANCE TO FLAMMABLE MATERIAL

E - To wall at side	350	mm
H - To the ceiling	1182	mm
C - To the side	-	mm
G - To the floor	475	mm
B - In front of the floor	-	mm
A - To furniture	1200	mm

WEIGHT	235	kg
--------	-----	----

Finished face opening - Brick  
(see user manual)

Recommended convection area  
top min. 1050 cm<sup>2</sup>  
bottom min. 525 cm<sup>2</sup>



# RAIS VISIO 3:1

TECHNICAL DATA:

DIMENSIONS (W-D-H)

Fireplace inset's ext. dimensions	514-876-1368	mm
Combustion chamber's int. dim.	210-499-230	mm
Finished face opening	528-705-490	mm
Outer Frame Dimensions	528-750-490	mm
Flue exit (diameter)	200	mm
AirSystem connection	Ø150	mm

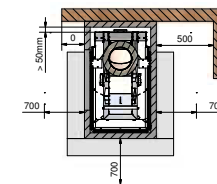
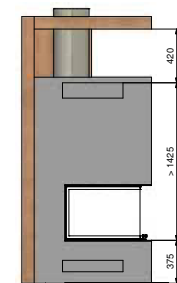
KEY FIGURES

Output (Nominal)	8,3	kW
Output (Min-max)	5-9	kW
Heat (at 20 degrees)	75-120	m <sup>2</sup>
Efficiency	80	%
Particulates	5,7	g/kg

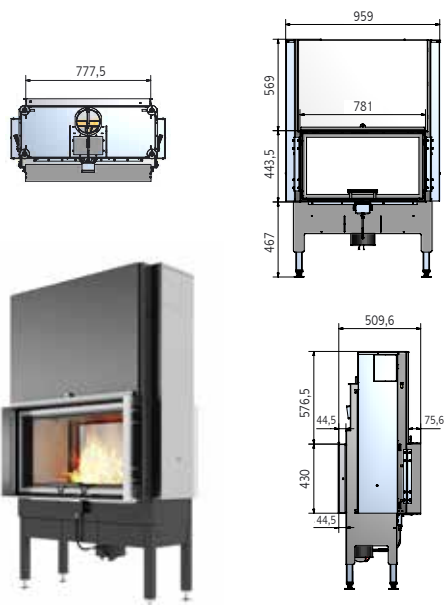
DISTANCE TO FLAMMABLE MATERIAL

E - To wall at side	0	mm
H - To the ceiling	420	mm
C - To the side	-	mm
G - To the floor	375	mm
B - In front of the floor	-	mm
A - To furniture	700	mm

WEIGHT	260	kg
--------	-----	----

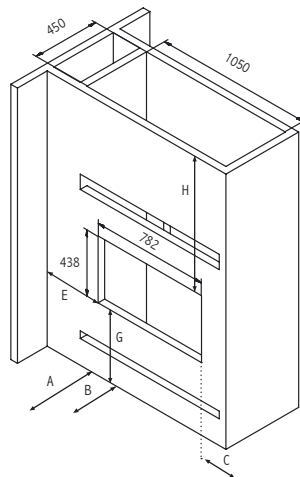


A+

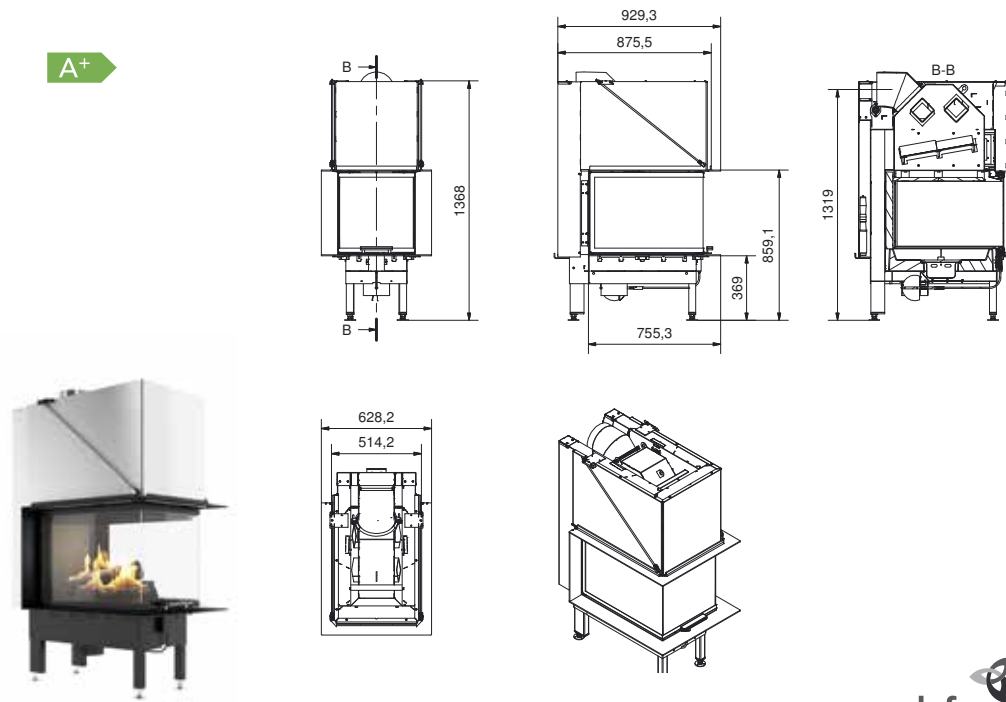


Finished face opening –  
fire retardant material  
(see user manual)

Recommended convection area  
top min. 1050 cm<sup>2</sup>  
bottom min. 525 cm<sup>2</sup>



A+



# RAIS VISIO 2 L

## TECHNICAL DATA:

### DIMENSIONS (W-D-H)

Fireplace inset's ext. dimensions	
Combustion chamber's int. dim.	
Finished face opening	
Outer Frame Dimensions	
Flue exit (diameter)	
AirSystem connection	

### KEY FIGURES

Output (Nominal)	10,3	kW
Output (Min-max)	8-12	kW
Heat (at 20 degrees)	120-180	m <sup>2</sup>
Efficiency	81	%
Particulates	1	g/kg

### DISTANCE TO FLAMMABLE MATERIAL

E - To wall at side	
D - To wall at back	
H - To the ceiling	
C - To the side	
G - To the floor	
B - In front of the floor	
A - To furniture	

### WEIGHT

SEE OUR WEBSITE RAIS.COM

A+



# RAIS VISIO 3 L

## TECHNICAL DATA:

### DIMENSIONS (W-D-H)

Fireplace inset's ext. dimensions	1089-634-1765	mm
Combustion chamber's int. dim.	660-256-545	mm
Finished face opening	1088-504-504	mm
Outer Frame Dimensions	1088,6-504-563	mm
Flue exit (diameter)	200	mm
AirSystem connection	Ø150	mm

### KEY FIGURES

Output (Nominal)	10,3	kW
Output (Min-max)	8-12	kW
Heat (at 20 degrees)	120-180	m <sup>2</sup>
Efficiency	81	%
Particulates	1	g/kg

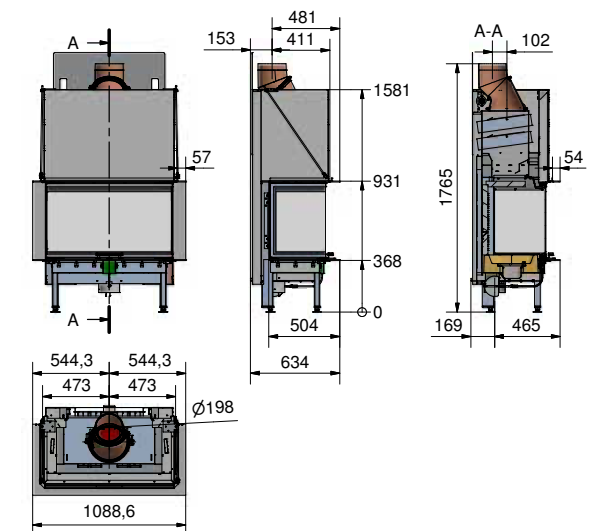
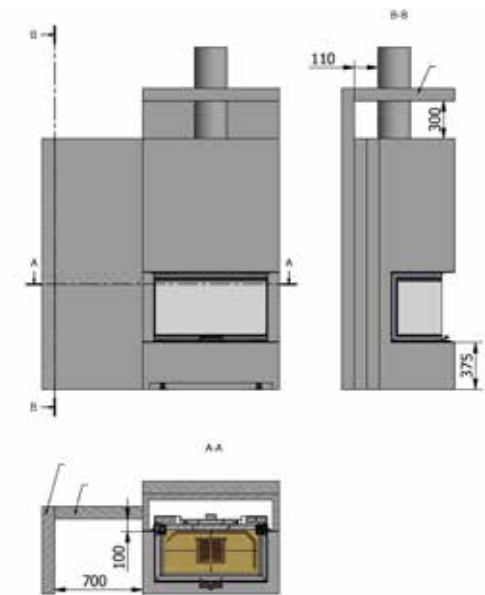
### DISTANCE TO FLAMMABLE MATERIAL

E - To wall at side	100	mm
D - To wall at back	100	mm
H - To the ceiling	1362	mm
C - To the side	-	mm
G - To the floor	375	mm
B - In front of the floor	-	mm
A - To furniture	1100	mm

### WEIGHT

293 kg

A+





# RAIS 500<sup>1</sup>

TECHNICAL DATA:

DIMENSIONS (W-D-H)

Fireplace inset's ext. dimensions	718-452-470 mm
Combustion chamber's int. dim.	556-306-295 mm
Finished face opening	732-474 mm
Outer Frame Dimensions	764-506 mm
Flue exit (diameter)	Ø150 mm
AirSystem connection	Ø100 mm

KEY FIGURES

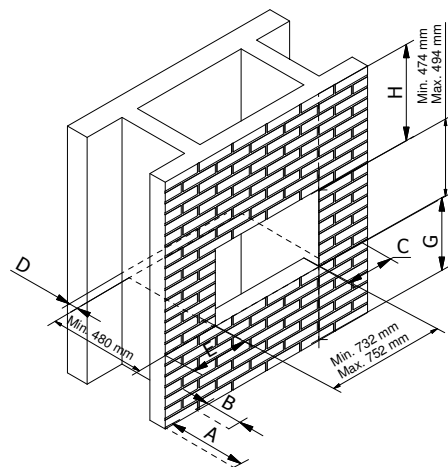
Output (Nominal)	7 kW
Output (Min-max)	4-8 kW
Heat (at 20 degrees)	60-120 m <sup>2</sup>
Efficiency	80 %
Particulates	<1,8 g/kg

DISTANCE TO FLAMMABLE MATERIAL

E - To wall at side	200 mm
D - To wall at back	100 mm
H - To the ceiling	850 mm
C - To the side	- mm
G - To the floor	400 mm
B - In front of the floor	- mm
A - To furniture	900 mm

WEIGHT	110 kg
--------	--------

Finished face opening - Brick  
Recommended convection area  
top min. 800 cm<sup>2</sup>  
bottom min. 500 cm<sup>2</sup>



# RAIS 500<sup>2</sup>

TECHNICAL DATA:

DIMENSIONS (W-D-H)

Fireplace inset's ext. dimensions	713-452-470 mm
Combustion chamber's int. dim.	556-306-295 mm
Finished face opening	718-480-474 mm
Outer Frame Dimensions	739-506-506 mm
Flue exit (diameter)	Ø150 mm
AirSystem connection	Ø100 mm

KEY FIGURES

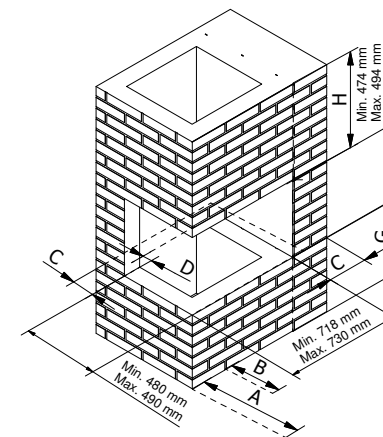
Output (Nominal)	7 kW
Output (Min-max)	4-8 kW
Heat (at 20 degrees)	60-120 m <sup>2</sup>
Efficiency	80 %
Particulates	<1,8 g/kg

DISTANCE TO FLAMMABLE MATERIAL

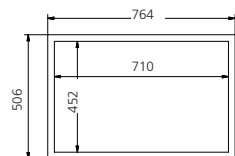
E - To wall at side	200 mm
D - To wall at back	100 mm
H - To the ceiling	850 mm
C - To the side	- mm
G - To the floor	400 mm
B - In front of the floor	- mm
A - To furniture	900 mm

WEIGHT	110 kg
--------	--------

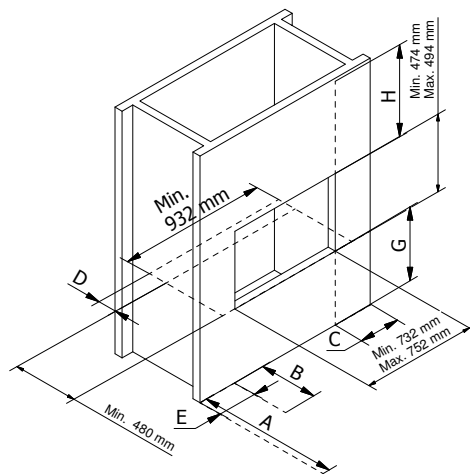
Finished face opening - Brick  
Recommended convection area  
top min. 800 cm<sup>2</sup>  
bottom min. 500 cm<sup>2</sup>



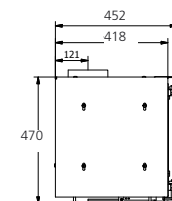
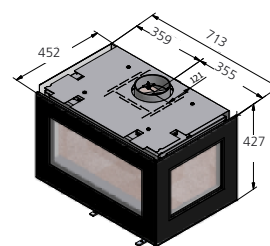
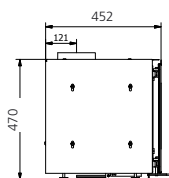
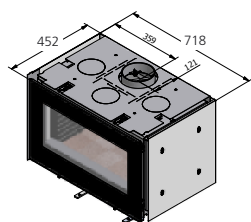
A+



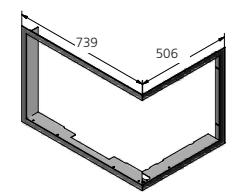
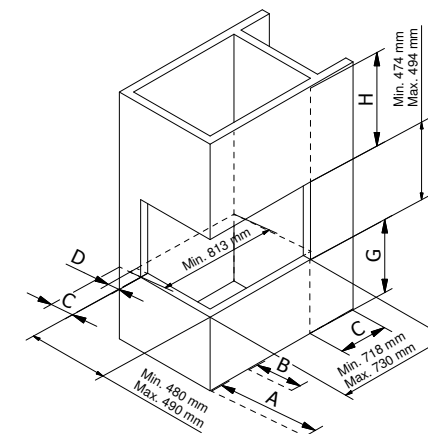
Finished face opening - fire retardant material  
Recommended convection area  
top min. 800 cm<sup>2</sup>  
bottom min. 500 cm<sup>2</sup>



A+



Finished face opening - fire retardant material  
Recommended convection area  
top min. 800 cm<sup>2</sup>  
bottom min. 500 cm<sup>2</sup>



# RAIS 500<sup>3</sup>

TECHNICAL DATA:

DIMENSIONS (W-D-H)

Fireplace inset's ext. dimensions	708-452-470	mm
Combustion chamber's int. dim.	556-306-295	mm
Finished face opening	703-480-474	mm
Outer Frame Dimensions	714-506-506	mm
Flue exit (diameter)	Ø150	mm
AirSystem connection	Ø100	mm

KEY FIGURES

Output (Nominal)	7	kW
Output (Min-max)	4-8	kW
Heat (at 20 degrees)	60-120	m <sup>2</sup>
Efficiency	80	%
Particulates	<1,8	g/kg

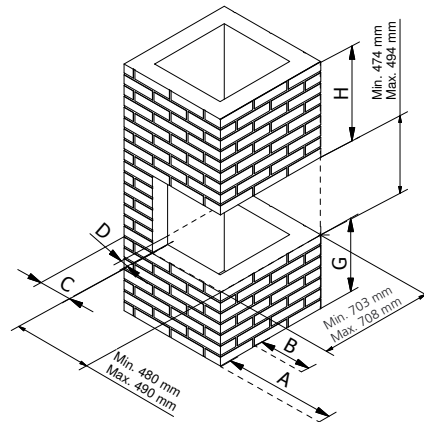
DISTANCE TO FLAMMABLE MATERIAL

E - To wall at side	200	mm
D - To wall at back	100	mm
H - To the ceiling	850	mm
C - To the side	-	mm
G - To the floor	400	mm
B - In front of the floor	-	mm
A - To furniture	900	mm

WEIGHT	110	kg
--------	-----	----

Finished face opening - Brick

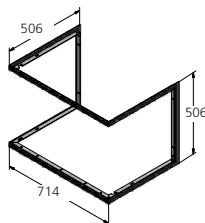
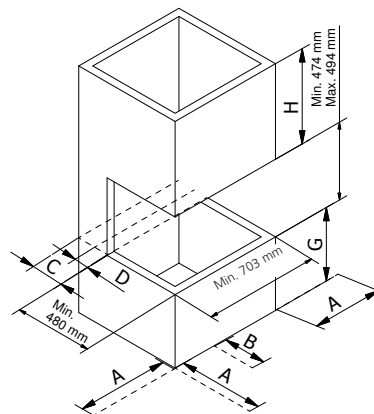
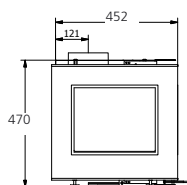
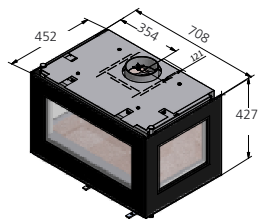
Recommended convection area  
top min. 800 cm<sup>2</sup>  
bottom min. 500 cm<sup>2</sup>



A+

Finished face opening –  
fire retardant material

Recommended convection area  
top min. 800 cm<sup>2</sup>  
bottom min. 500 cm<sup>2</sup>



RAIS 600<sup>1</sup>  
RAIS 600<sup>2</sup>  
RAIS 600<sup>3</sup>

SEE SPECIFICATIONS ON  
RAIS.COM

A+

**defra**  
Department for Environment  
Food and Rural Affairs  
(pending)





# RAIS 700

## TECHNICAL DATA:

### DIMENSIONS (W-D-H)

Fireplace inset's ext. dimensions	829-478-541 mm
Combustion chamber's int. dim.	562-290-300 mm
Finished face opening	840-545 mm
Outer Frame Dimensions	864-574 mm
Flue exit (diameter)	Ø150 mm
AirSystem connection	Ø100 mm

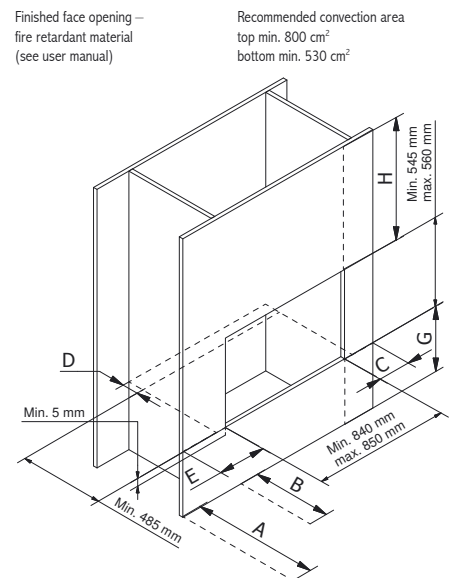
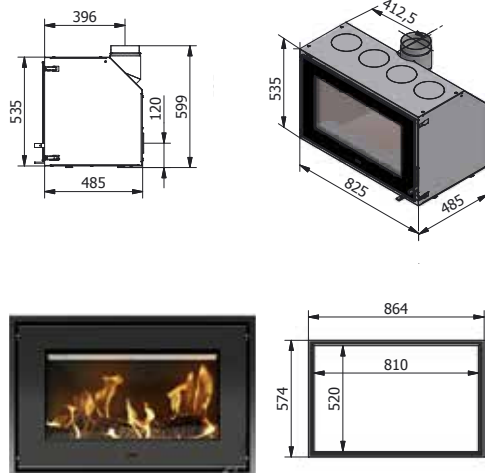
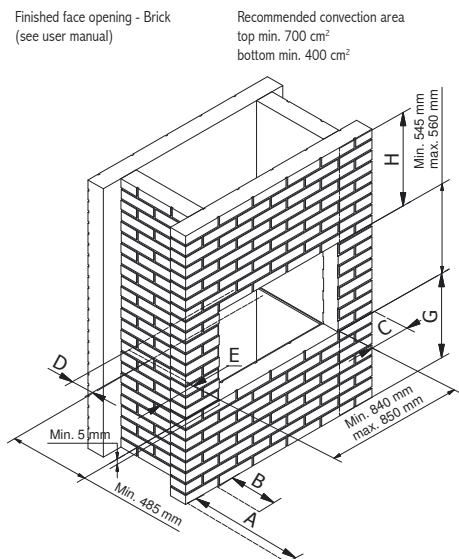
### KEY FIGURES

Output (Nominal)	5.2 kW
Output (Min-max)	3-7 kW
Heat (at 20 degrees)	60-105 m <sup>2</sup>
Efficiency	80 %
Particulates	<2,59 g/kg

### DISTANCE TO FLAMMABLE MATERIAL

E - To wall at side	300 mm
D - To wall at back	110 mm
H - To the ceiling	850 mm
C - To the side	- mm
G - To the floor	400 mm
B - In front of the floor	- mm
A - To furniture	700 mm

WEIGHT	125 kg
--------	--------



# RAIS 900

## TECHNICAL DATA:

### DIMENSIONS (W-D-H)

Fireplace inset's ext. dimensions	962-380-470 mm
Combustion chamber's int. dim.	700-200-230 mm
Finished face opening	972-479 mm
Outer Frame Dimensions	1002-506 mm
Flue exit (diameter)	Ø150 mm
AirSystem connection	Ø100 mm

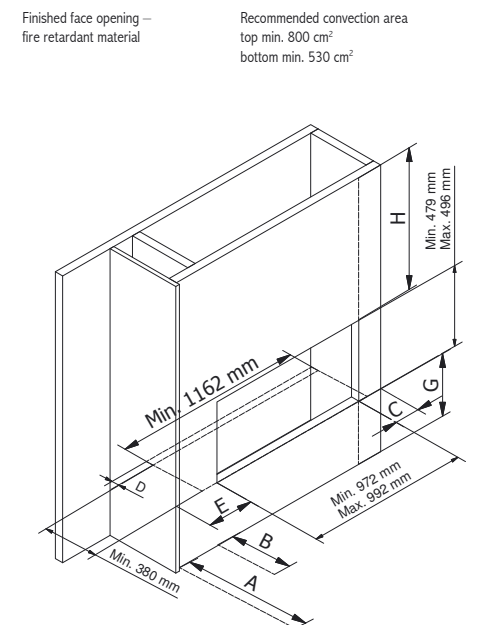
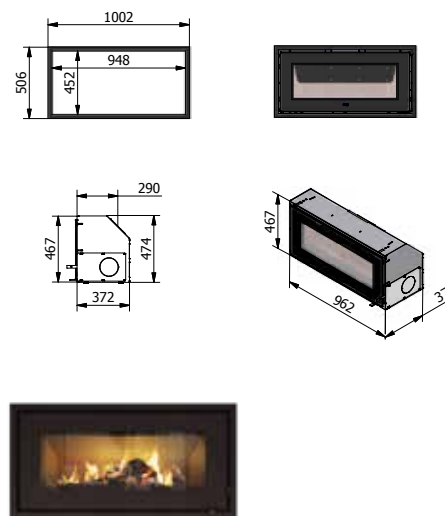
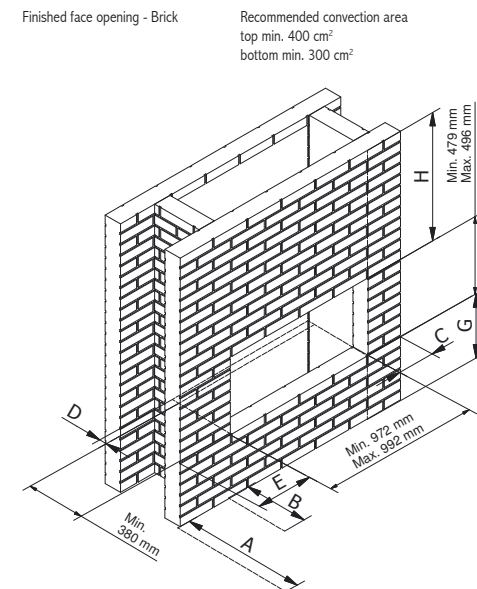
### KEY FIGURES

Output (Nominal)	6.9 kW
Output (Min-max)	5-9 kW
Heat (at 20 degrees)	75-105 m <sup>2</sup>
Efficiency	79 %
Particulates	<2.0 g/kg

### DISTANCE TO FLAMMABLE MATERIAL

E - To wall at side	300 mm
D - To wall at back	100 mm
H - To the ceiling	1100 mm
C - To the side	- mm
G - To the floor	375 mm
B - In front of the floor	- mm
A - To furniture	900 mm

WEIGHT	120 kg
--------	--------



# RAIS 2:1

TECHNICAL DATA:

DIMENSIONS (W-D-H)

Fireplace inset's ext. dimensions	807-462-914 mm
Combustion chamber's int. dim.	500-244-374 mm
Finished face opening	736-477 mm
Outer Frame Dimensions	736-477 mm
Flue exit (diameter)	Ø150 mm
AirSystem connection	Ø100 mm

KEY FIGURES

Output (Nominal)	6 kW
Output (Min-max)	3-9 kW
Heat (at 20 degrees)	45-135 m <sup>2</sup>
Efficiency	79 %
Particulates	3,7 g/kg

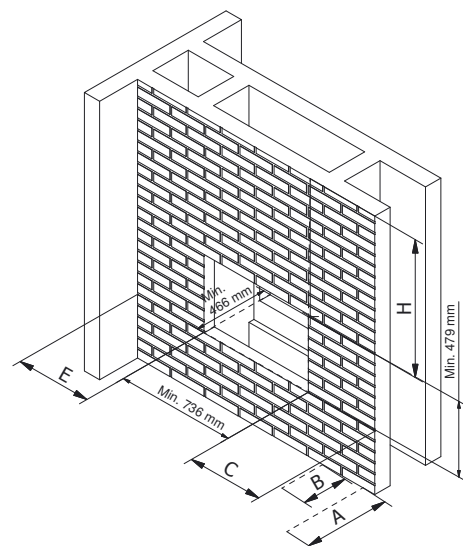
DISTANCE TO FLAMMABLE MATERIAL

E - To wall at side	200 mm
H - To the ceiling	590 mm
C - To the side	- mm
G - To the floor	450 mm
B - In front of the floor	- mm
A - To furniture	600 mm

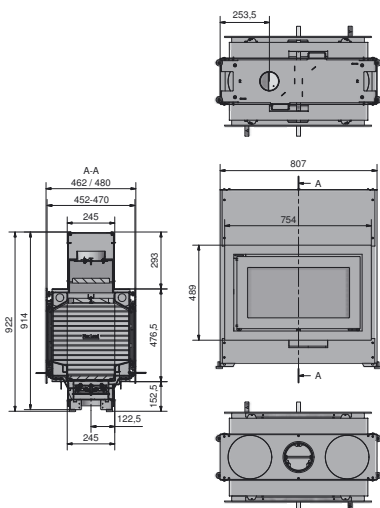
WEIGHT	140 kg
--------	--------

Finished face opening - Brick

Recommended convection area  
top min. 800 cm<sup>2</sup>  
bottom min. 490 cm<sup>2</sup>

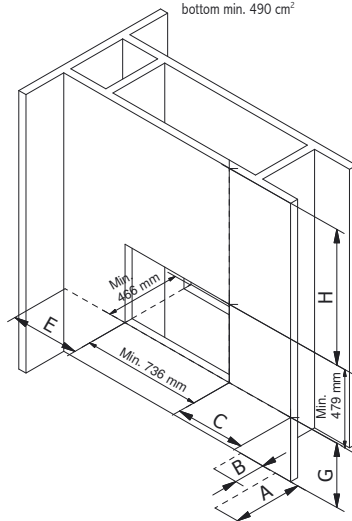


A



Finished face opening –  
fire retardant material

Recommended convection area  
top min. 800 cm<sup>2</sup>  
bottom min. 490 cm<sup>2</sup>



# RAIS Q-BE INSET

TECHNICAL DATA:

DIMENSIONS (W-D-H)

Fireplace inset's ext. dimensions	399-399-903 mm
Combustion chamber's int. dim.	239-239-505 mm
Finished face opening	405/405-925 mm
Outer Frame Dimensions	422/424-970 mm
Flue exit (diameter)	Ø150 mm
AirSystem connection	Ø100 mm

KEY FIGURES

Output (Nominal)	5,9 kW
Output (Min-max)	4-8 kW
Heat (at 20 degrees)	60-120 m <sup>2</sup>
Efficiency	80 %
Particulates	1,4 g/kg

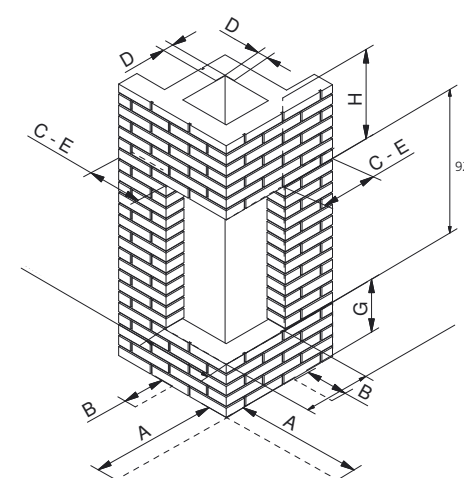
DISTANCE TO FLAMMABLE MATERIAL

E - To wall at side	Se brugermanual
D - To wall at back	Se brugermanual
H - To the ceiling	455 mm
C - To the side	Se brugermanual
G - To the floor	0 mm
B - In front of the floor	- mm
A - To furniture	750 mm

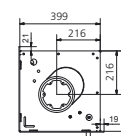
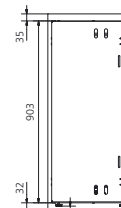
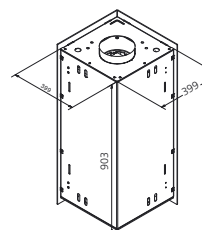
WEIGHT	110 kg
--------	--------

Finished face opening - Brick

Recommended convection area  
top min. 200 cm<sup>2</sup>  
bottom min. 200 cm<sup>2</sup>

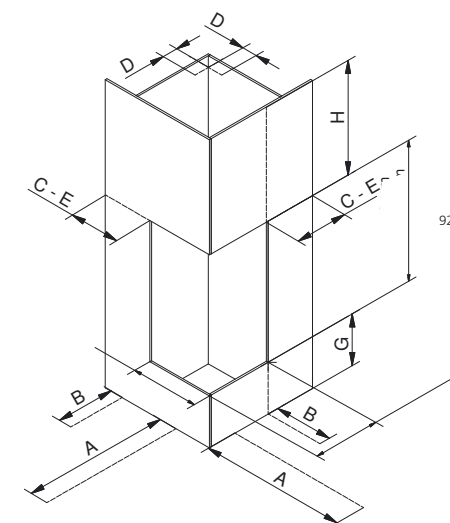


A+



Finished face opening –  
fire retardant material

Recommended convection area  
top min. 200 cm<sup>2</sup>  
bottom min. 200 cm<sup>2</sup>



# RAIS Q-TEE INSET

TECHNICAL DATA:

DIMENSIONS (W-D-H)

Fireplace inset's ext. dimensions	463-375-603 mm
Combustion chamber's int. dim.	317-270-270 mm
Finished face opening	473-425-613 mm
Outer Frame Dimensions	489-629 mm
Flue exit (diameter)	Ø150 mm
AirSystem connection	Ø100 mm

KEY FIGURES

Output (Nominal)	4,1 kW
Output (Min-max)	2-6 kW
Heat (at 20 degrees)	30-90 m <sup>2</sup>
Efficiency	80 %
Particulates	0,8 g/kg

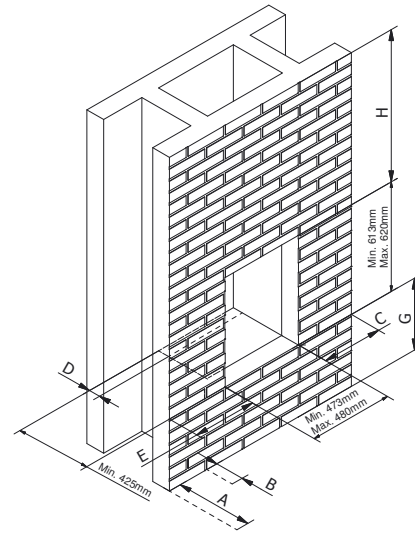
DISTANCE TO FLAMMABLE MATERIAL

E - To wall at side	200 mm
D - To wall at back	100 mm
H - To the ceiling	800 mm
C - To the side	- mm
G - To the floor	400 mm
B - In front of the floor	- mm
A - To furniture	650 mm

WEIGHT	87 kg
--------	-------

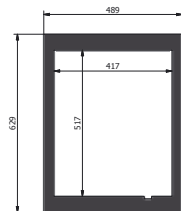
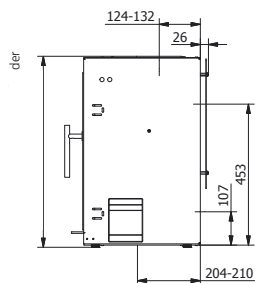
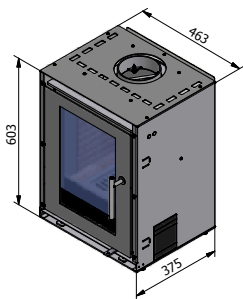
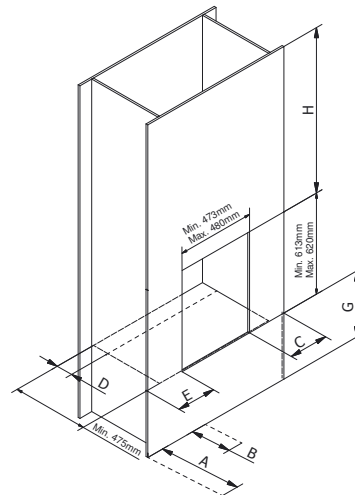
Finished face opening - Brick

Recommended convection area  
top min. 600 cm<sup>2</sup>  
bottom min. 350 cm<sup>2</sup>



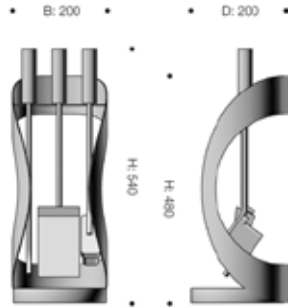
Finished face opening –  
fire retardant material

Recommended convection area  
top min. 600 cm<sup>2</sup>  
bottom min. 350 cm<sup>2</sup>

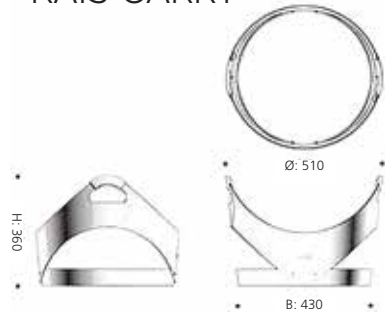




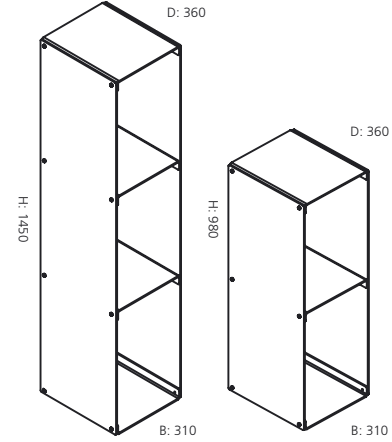
RAIS BUTEO



RAIS CARRY



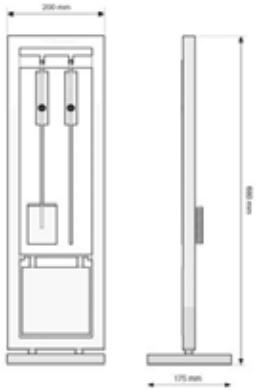
RAIS WOODRACK



RAIS WOODFRAME



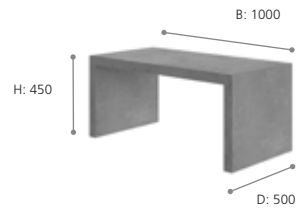
RAIS WALL TOOLS



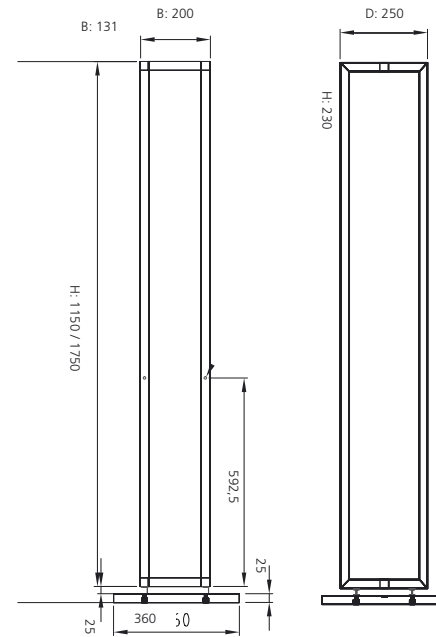
RAIS LIGHTING



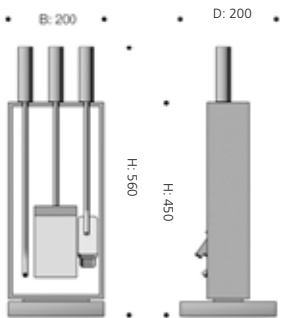
RAIS CONSTANT



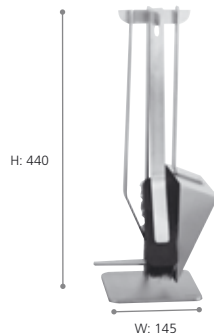
RAIS WOODWALL



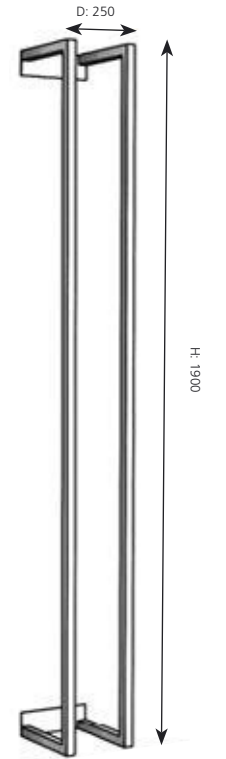
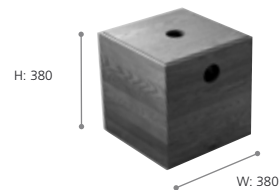
RAIS TETRA



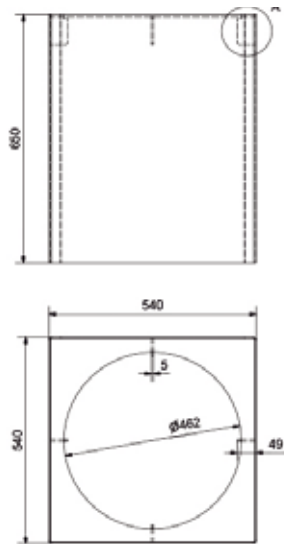
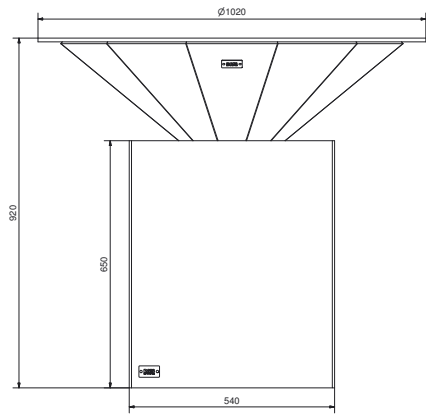
RAIS SOLO



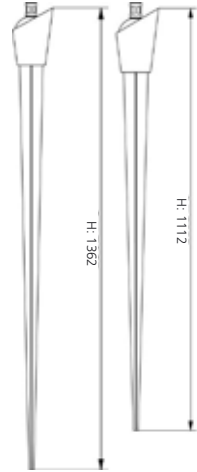
RAIS WOODBOX



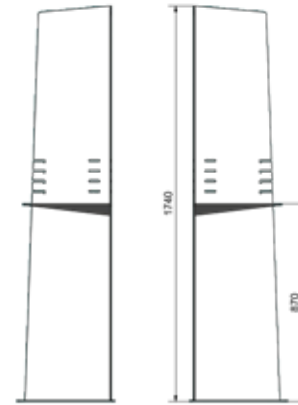
RAIS CIRCLE



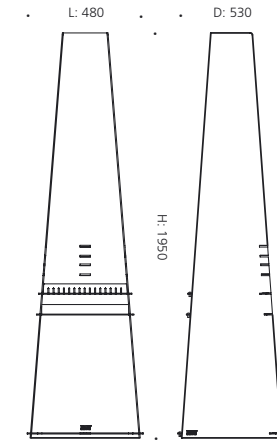
RAIS CONE



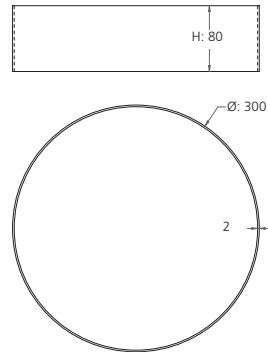
RAIS ANGLE



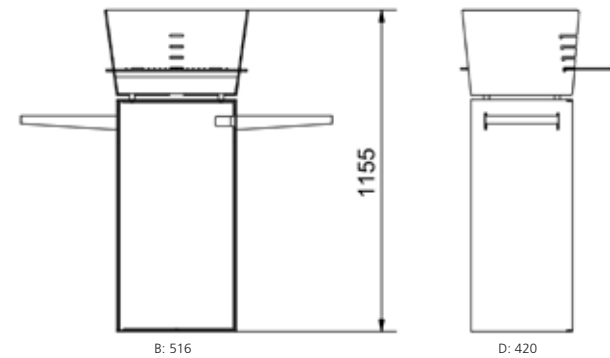
RAIS GIZEH



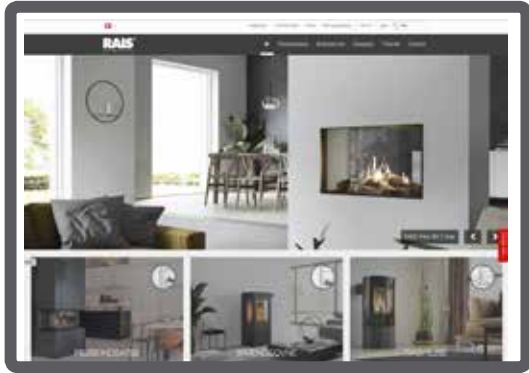
RAIS RA



RAIS SQUARE



Due to the continuous technical development we reserve the right to make changes without prior warning to specifications, colours and equipment. We are not responsible for misprints or mistakes in text, pictures and specifications.



[www.rais.com](http://www.rais.com)



**RAIS**<sup>®</sup>  
*Customized*



# RAIS<sup>®</sup> *Univers*

art of fire by Ann Charlott



**facebook**

*Instagram*

*Pinterest*





**RAIS**<sup>®</sup>  
ART  OF FIRE  
[www.rais.com](http://www.rais.com)