



ENGINEERING
ON FIRE

CHILLIPENGUIN

STOVES



CROESO CYNNES PENGUIN



“CROESO CYNNES” “A WARM WELCOME”



Warm up With

All About Us	2
Our Products	3
Stove Models	4
Eco Design	6-7
The Chilli Billie	8-9
The Short Penguin Eco	10-11
The Hungry Penguin Eco	12-13
The Fat Penguin Eco	14-15
The High & Mighty Penguin Eco	16-17
The High & Mighty Tall Order Eco	18-19
The Chubby 5 Eco	20-21
The Woody Series	22-27
The Penguin 8	28-29
The Eighty Ate “88”	30-31
The Chubby 8	32-33
Penguin Products	34
FAQs	35

All About Us

We are a small family run business located near the **stunning** coastline of the Llŷn Peninsula in North **Wales**. Established in 2001. We now have a network of over 100 carefully selected stockists nationwide. We do not sell online. We believe that a stove is a **special** product and should only be fitted by specialists.

We are committed to UK manufacturing not only because the UK is **good** at it but also every order contributes to the salary of someone **local** to us or someone who we know. We **love** stoves ourselves, we design them, build them and have them in our own homes and in our workshop. We are **inspired** by the climate we live in. Over the winters we can get battered by the winds and we are surrounded by damp salty air. We run **our stoves** almost continuously in our workshop and the same stoves have been performing **brilliantly** for over a decade now. For us that is the best recommendation we can give you.

NI SY’N CYNLLUNIO EIN HOLL GYNNYRCH.
MAE’R CYNLLUNIO, PROTOTEIPIO A’R
CYNHYRCHU YN DIGWYDD YMA YN NGHYMRU.

WE DESIGN ALL OUR OWN PRODUCTS.
ALL THE DESIGN, PROTO-TYPING AND
MANUFACTURING HAPPENS HERE IN WALES.



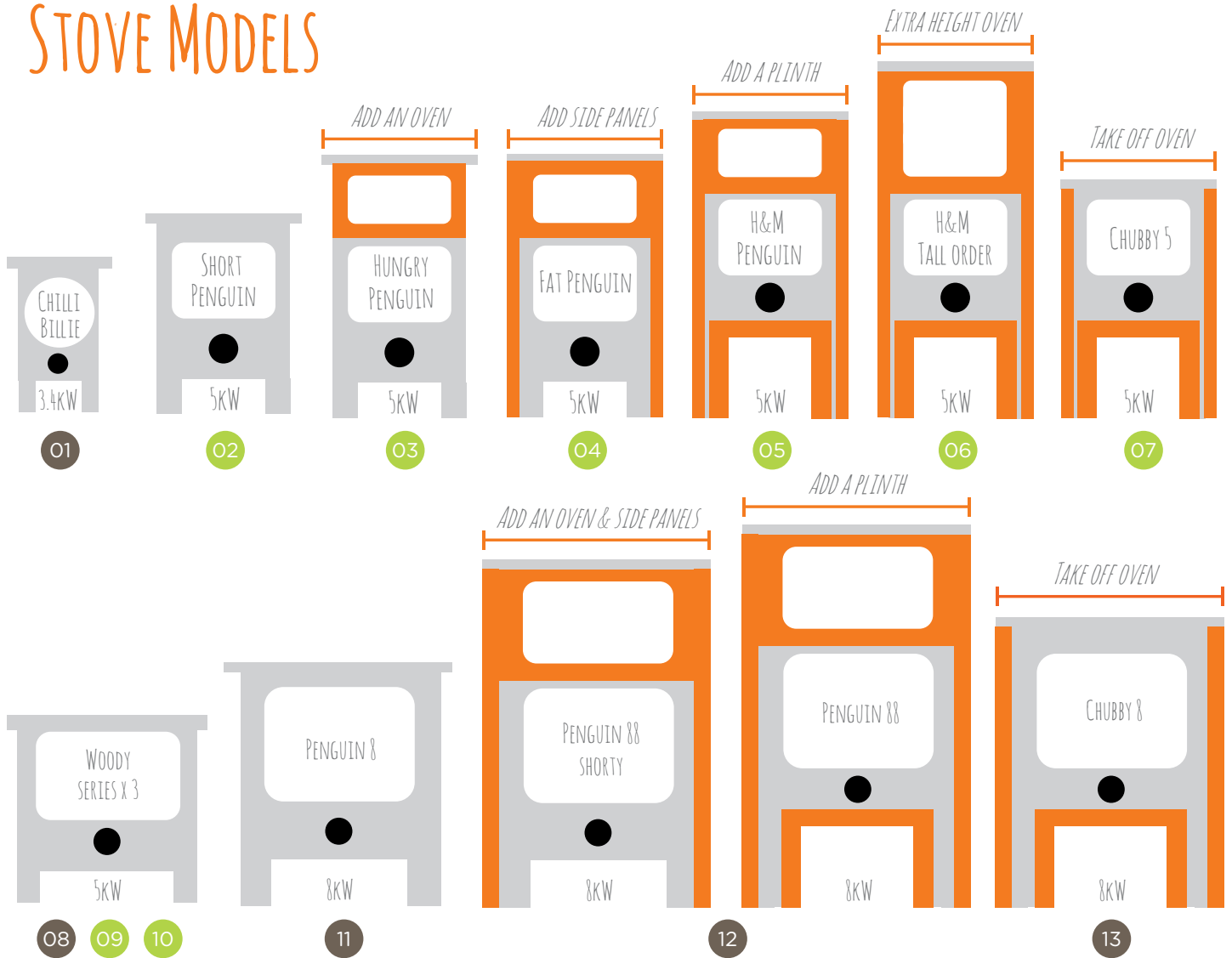
UK STOCKISTS

Our Products

We produce top quality, low emission, highly efficient stoves that do what they say and do it well.

We also want them to last for a long time. We spend a long time in the design and development process to ensure this. Our most recent innovation has been to develop Eco design ready stoves ahead of the new emissions regulations. We have used a number of solutions to achieve this including the use of catalytic converter technology. This technology is well established in the US but we one of the first stove companies to utilise it in the UK. We are very optimistic about the environmental benefits of this technology. The stoves efficiency ratings are amongst the highest currently available in the UK and the particulate emissions one of the lowest.

STOVE MODELS



01 **The Chilli Billie**
Stôf Fach Gyda Chalon Fawr
PAGE 8

02 **The Short Penguin Eco**
Penguin Bach Eco
PAGE 10

03 **The Hungry Penguin Eco**
Penguin Llwglyd Eco
PAGE 12

04 **The Fat Penguin Eco**
Penguin Tew Eco
PAGE 14

05 **The High & Mighty Eco**
Penguin Bonheddig Eco
PAGE 16

06 **The High & Mighty (Tall Order) Eco**
Penguin (Tal) Bonheddig Eco
PAGE 18

07 **The Chubby 5 Eco**
Penguin Llond Eu Crwyn 5 Eco
PAGE 20

08 **The Woody**
Dim ond Woody
PAGE 22

09 **Woody Eco (Cat) wood only**
Dim ond Woody Eco (Cat) pren yn unig
PAGE 24

10 **Woody Eco (Multi Fuel)**
Dim ond Woody Eco (Aml Danwydd)
PAGE 26

11 **The Penguin 8**
Penguin Wyth
PAGE 28

12 **The Eighty Ate "88" / 88 Shorty**
Penguin Wyth Deg Wyth / Wyth Deg Wyth Fach
PAGE 30

13 **The Chubby 8**
Penguin Llond Eu Crwyn 8
PAGE 32

● **Original**
● **Eco Design**



Wood Only

Catalytic Converter (CAT) Technology

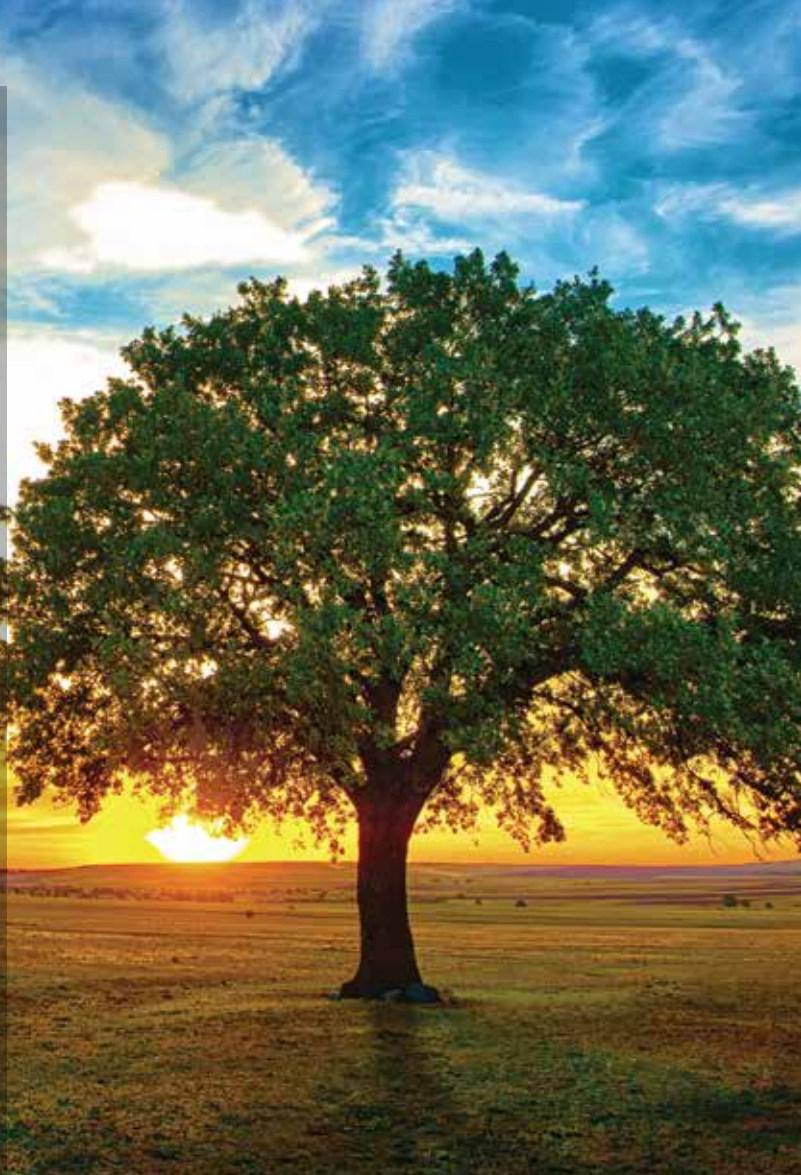
To achieve **lower emissions** our wood only version of the Woody, the Woody Eco (Cat) uses the combination of three features that the multi fuel stove use with the addition of innovative catalytic converter technology.

A catalytic converter consists of a honeycomb type structure with a large surface area which is coated with catalytic materials.

As the gases pass over the surface chemical reactions occur, resulting in changes to the composition of the flue gases. Toxic carbon monoxide and hydrocarbon gases are oxidised into less harmful carbon dioxide and water.

These chemical reactions release heat energy. This is a secondary combustion process, as it raises the temperature of the converter to the point where solid soot particles can be burned.

Resulting in a more complete combustion and therefore less harmful emissions.



Particulates in Smoke emissions (mg/m³)



OPEN FIRE



NON COMPLIANT STOVES



CHILLI PENGUIN ECO DESIGN RANGE



Multi Fuel

To achieve **lower emissions** our multi fuel stoves use a combination of three features.

The flow of air going toward the flue is interrupted, which increases the time the products of combustion remain in the hotter part of the firebox. The longer they are there, the more completely they will burn, thereby reducing harmful emissions.

Secondary heat retaining glazing, so the fire box stays hotter. The hotter a fire is, the more efficiently it burns.

Re-designed combustion air nozzles diffuse the incoming oxygen, allowing for a more complete combustion.



The Chilli Billie

Stôf Fach Gyda Chalon Fawr

The little stove with a big heart, small but mighty, a flaming wood rocket, a tree fuelled engine.

This is baby of the penguin family in no hurry to grow up, likes chilling out... warming up... drying off and frying up. Found hanging out in small spaces like camping pods, yurts, beach huts, shepherds huts, sheds and studios.

What's More

The Chilli Billie is top loading with a round glass window to see the fire through. You can boil a kettle on the top surface of the stove. The kW output is 3.4kW. There is an optional detachable side shelf which is useful for putting your kettle or pans on when not boiling.

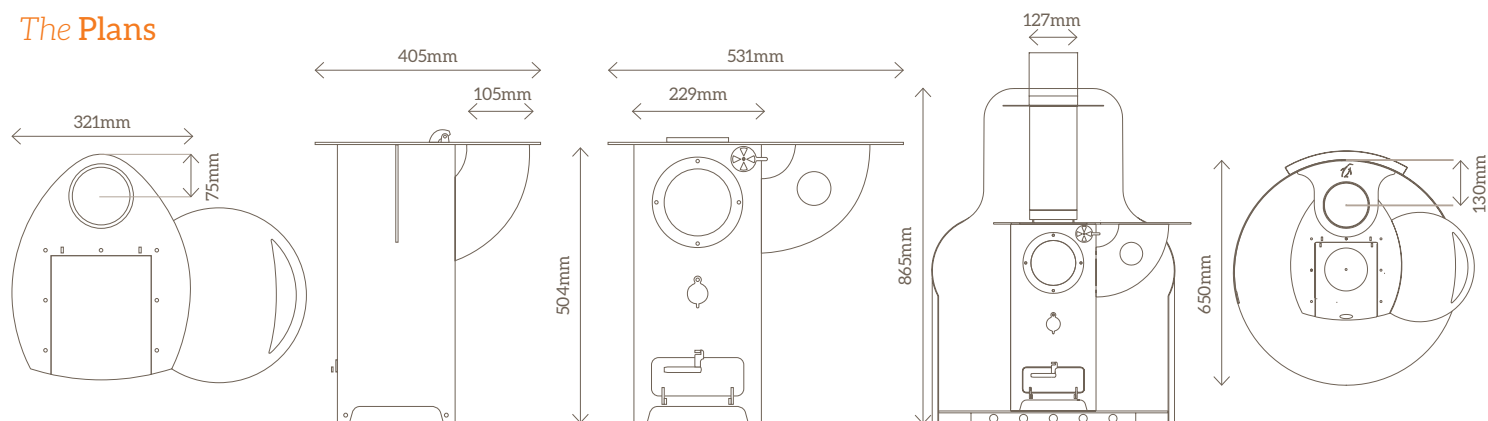
There is a separate ash pan door and a small lighting hole. There is a heat shield enclosure available for the Chilli Billie called the penguin enclosure (round enclosure illustrated, square enclosure also available).



The Tech Details

Nominal Output	3.4kW	
Height	504mm	
Width	321mm/531mm	
Depth	405mm	
Fuel	Wood Only	
Flue Collar Size	105mm	
Flue Diameter (4-5" adaptor needed)	125mm	
*Distance To Combustibles		
Side 500mm	Rear 500mm	Above 500mm
*Distance To Non Combustibles		
Side 100mm	Rear 50mm	Above 150mm
Colours Available	Yes	
Exemption testing complete awaiting certification		
Tested to EN 13240		
*These are minimum distances, be aware that there are other considerations eg. access for sweeping, height of kettle		

The Plans



CHILL IN OR CHILL OUT



Glamorgan Sausages

4oz strong cheddar grated
4oz white breadcrumbs
1 onion chopped
1 tsp mustard
1tsp chopped parsley
Thyme to taste
Salt and pepper
3 eggs
Dried breadcrumbs to coat
Oil

Combine 2 eggs, mustard, parsley, thyme, salt and pepper. Add breadcrumbs, cheese and onion. Mix well, form into sausages. Coat in egg and breadcrumbs, fry and eat.

Enjoy

The Short Penguin Eco

Penguin Bach Eco

Small in stature but big on personality.

This fiery little 5kW penguin is designed to fit snugly into a builder's opening but is equally comfortable and utterly sensational free standing. Simple, clean lines, contemporary stainless steel handles, clean burning and highly efficient. This is a stove you will want to come home to.



What's More

The Short Penguin Eco design uses the Chilli Penguin Clean Burn and Air Wash systems. It is designed to burn both wood and smokeless fuel.

Penguin Facts

Air Wash

Pre-heated air is introduced via channels and jets at the back of the firebox and above the door. Air jets are directed onto the top of the glass. This creates a cushion of air, which protects the glass from blackening. This is called air wash.

The Tech Details

Nominal Output	W 4.8kW	SF 4.9kW
Efficiency	W 80.6%	SF 80.4%
Particulates @ 13% O ₂	W 36mg/m ³	SF 15mg/m ³
Width 380mm	Depth 355mm	Height 540mm
Height With Plinth	711mm	
Multi-Fuel	Yes	
Smoke Control Kit Provided	Yes (pre-fitted)	
Optional Direct Air Kit available	Yes	
Colours Available	Yes	
Max Log Length x average diameter	270mm x 100mm	
Flue Collar Diameter	127mm	
Flue Size Required	Min 125mm	



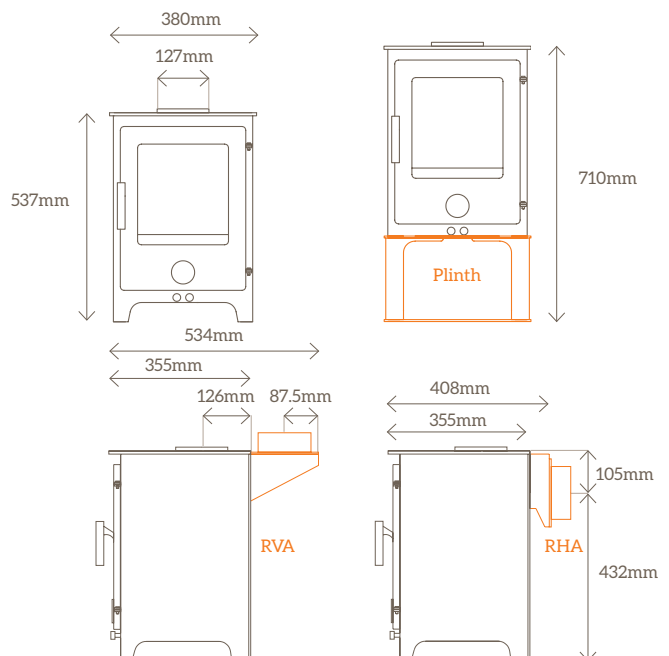
The Tech Details

Top Exit	Standard	
Rear Exit Rear Horizontal (RHA)/Vertical Adaptor (RVA) Required		
*Distance To Combustibles With Insulated Flue		
Side 500mm	Rear 200mm	Above 450mm
*Distance To Non Combustibles		
Side 100mm	Rear 50mm	Above 150mm
Hearth Type No Base Heat Shield/Plinth	Constructional	
Hearth With Base Heat Shield/Plinth	12mm	
Tested to EN13240:2001 & EN13240A2:2004		

*These are minimum distances, be aware that there are other considerations eg. access for sweeping, height of kettle



The Plans



The Hungry Penguin Eco

Penguin Llwglyd Eco

The original Chilli Penguin, the one that started the company.

This stove does it all, it keeps you warm, cooks your dinner and boils your kettle for a cup of tea. It's ideal for canal boats, studios and homes where you don't want to be wholly dependant on mains gas and electricity, or if you just want to cook for free.



What's More

If you are trying to reduce your carbon footprint or your fuel bill, being able to heat and cook from the same fuel load makes a lot of sense. If you want that smug feeling of warm toes and a hot pasty we're not going to stop you. It is a different experience to cooking with flick-a-switch power... but you're off grid and the stoves on anyway!

Penguin Facts

Cooking on a penguin

All our cooker models have an oven box and top plate. The oven temperature can reach up to 300°C, but it will tick over comfortably between 140-180°C. You can fit a small saucepan and kettle on the top plate. An extra height oven is also available.

The Tech Details

	W =Wood	SF =Smokeless Fuel	
Nominal Output	W 4.7kW	SF 4.8kW	
Efficiency	W 81.2%	SF 87%	
Particulates @ 13% O ₂	W 33mg/m ³	SF 12mg/m ³	
Width 380mm	Depth 365mm	Height 638mm	
Internal Oven Dimension	Width 250mm	Depth 220mm	Height 100mm
Multi-Fuel	Yes		
Smoke Control Kit Provided	Yes (pre-fitted)		
Optional Direct Air Kit available	Yes		
Colours Available	Yes		
Max Log Length x average diameter	270mm x 100mm		
Flue Collar Diameter	127mm		
Flue Size Required	Min 125mm		



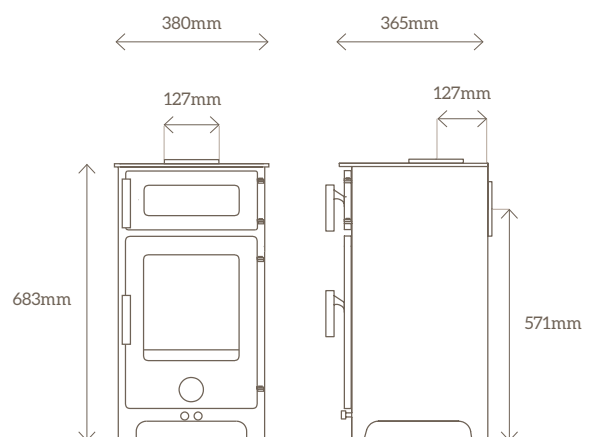
The Tech Details

Top Exit	Standard	
Rear Exit	Fit flue collar to rear	
*Distance To Combustibles With Insulated Flue		
Side 550mm	Rear 250mm	Above 450mm
*Distance To Non Combustibles		
Side 100mm	Rear 50mm	Above 150mm
Hearth Type No Base Heat Shield/Plinth	Constructional	
Hearth With Base Heat Shield/Plinth	12mm	
Tested to EN13240:2001 & EN13240A2:2004		

*These are minimum distances, be aware that there are other considerations eg. access for sweeping, height of kettle



The Plans



The Fat Penguin Eco

Penguin Tew Eco

When something smaller just won't do.

The Fat Penguin has all the features of the Hungry Penguin. It will warm you, feed you and make you a brew but it's even bigger. The output is still 5kW but this is a bigger, bolder penguin. Strong, simple lines, clear view of the roaring fire. Gorgeous in green, confident in black, radiant in red.

What's More

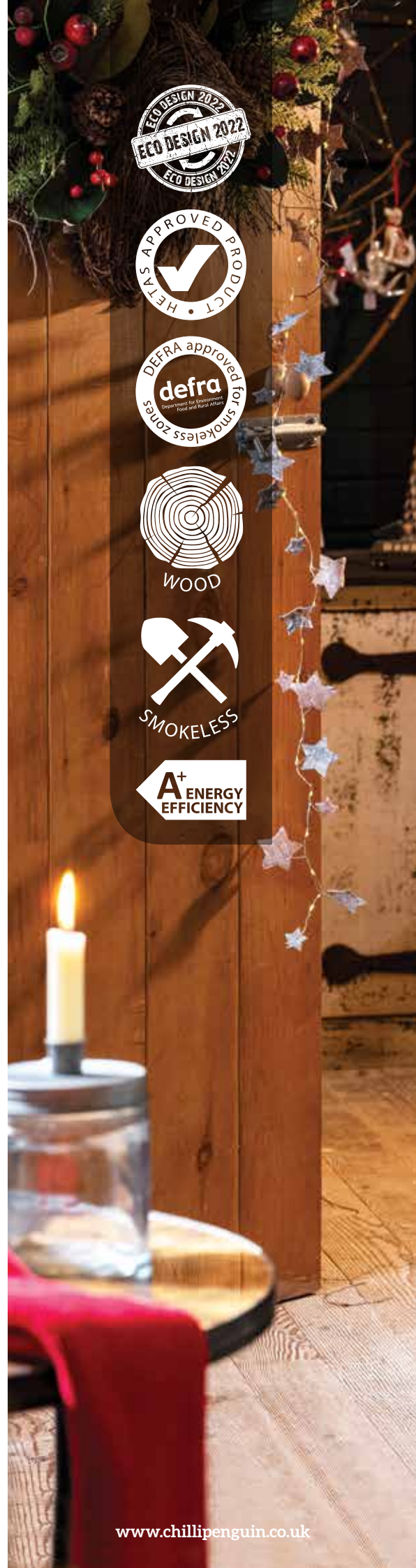
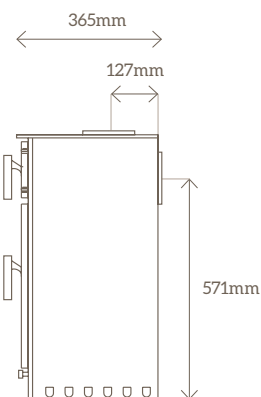
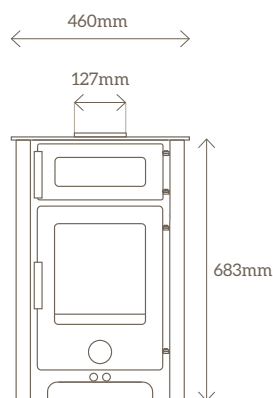
The Fat Penguin has all the features of the Hungry Penguin. It has a 5kW fire box, a top oven and top plate but the side convection panels make it wider. The extra width means a bigger top plate so if you are cooking on it you will have more room. An extra height oven is also available.

The Tech Details

Nominal Output	W 4.7kW	SF 4.8kW
Efficiency	W 81.2%	SF 87%
Particulates @ 13% O2	W 33mg/m ³	SF 12mg/m ³
Width 460mm	Depth 365mm	Height 638mm
Internal Oven Dimension		
Width 250mm	Depth 220mm	Height 100mm
Multi-Fuel	Yes	
Smoke Control Kit Provided	Yes (pre-fitted)	
Optional Direct Air Kit available	Yes	
Colours Available	Yes	
Max Log Length x average diameter	270mm x 100mm	
Flue Collar Diameter	127mm	
Flue Size Required	Min 125mm	
Top Exit	Standard	
Rear Exit	Fit flue collar to rear	
*Distance To Combustibles With Insulated Flue		
Side 250mm	Rear 250mm	Above 450mm
*Distance To Non Combustibles		
Side 100mm	Rear 50mm	Above 150mm
Hearth Type No Base Heat Shield/Plinth	Constructional	
Hearth With Base Heat Shield/Plinth	12mm	
Tested to EN13240:2001 & EN13240A2:2004		

*These are minimum distances, be aware that there are other considerations eg. access for sweeping, height of kettle

The Plans



BIG, FAT & BEAUTIFUL

Caerphilly Cheese and Chive Scones

Moderate oven or chilli stove
ticking over gently
8oz self raising flour
Pinch of salt
2 oz butter
4oz Caerphilly cheese grated
1 tbsp chopped fresh chives
1/4 pint milk

Mix flour and salt then rub in butter. Stir in half the cheese and the chives. Add milk and mix to soft dough. Knead until smooth. Roll out to 1" thick and cut out about 10 scones. Bake for 10mins or until brown. Remove and sprinkle with remaining cheese to melt.

Enjoy



The High & Mighty Eco

Penguin Bonheddig Eco

It is possible that this stove has it's nose in the air, just a touch and with a smile.

This stove perhaps does have its nose in the air, just a touch. It feels a little superior with its elevated height, oven box, generous top plate, convection panel sides and integral log plinth. It feels it offers everything : stature, personality, function and more than a little charm. This is truly a Penguin amongst penguins.



What's More

This stove began life as a Fat Penguin but then it kept on growing. In order to accommodate the log plinth the side convection panels had to be extended. When we saw it's new body, it seemed to take on a personality all of its own so we decided to give it its own name. This is a high functioning stove...and it knows it. An extra height oven is also available.

Penguin Facts

Convection panels

The side convection panels mean that the side surface temperature is cooler as it promotes air flow from beneath the stove convecting heat out at the top.



The Tech Details

	W =Wood	SF =Smokeless Fuel
Nominal Output	W 4.7kW	SF 4.8kW
Efficiency	W 81.2%	SF 87%
Particulates @ 13% O2	W 33mg/m ³	SF 12mg/m ³
Width 460mm	Depth 365mm	Height 908mm
Internal Oven Dimension	Width 250mm	Depth 220mm
		Height 100mm
Multi-Fuel		Yes
Smoke Control Kit Provided		Yes (pre-fitted)
Optional Direct Air Kit available		Yes
Colours Available		Yes
Max Log Length x average diameter	270mm x 100mm	
Flue Collar Diameter	127mm	
Flue Size Required	Min 125mm	



TALL, HANDSOME,
SMUG AS A SAUSAGE.

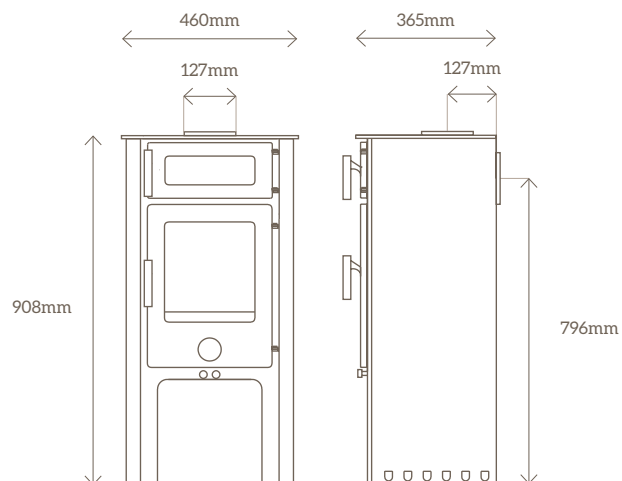
The Tech Details

Top Exit	Standard	
Rear Exit	Fit flue collar to rear	
*Distance To Combustibles With Insulated Flue		
Side 250mm	Rear 250mm	Above 450mm
*Distance To Non Combustibles		
Side 100mm	Rear 50mm	Above 150mm
Hearth Type No Base Heat Shield/Plinth	Constructional	
Hearth With Base Heat Shield/Plinth	12mm	
Tested to EN13240:2001 & EN13240A2:2004		

*These are minimum distances, be aware that there are other considerations eg. access for sweeping, height of kettle



The Plans



The High & Mighty (Tall Order) Eco

Pengwin (Tal) Bonheddig Eco

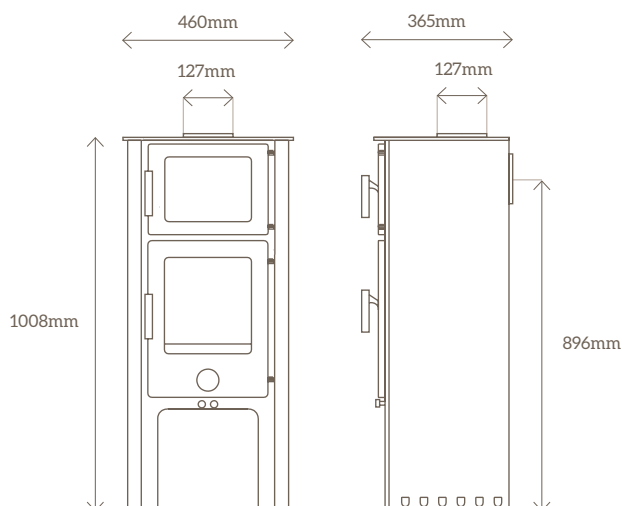
Head and shoulders above the rest.

This stove began with a phone call, “this might be a tall order but can you make me a stove with taller oven, I want to bake bread in it”. The tall order High and Mighty was born. For all you bakers and bread makers, lovers of slow roasted veg, hearty casseroles, sticky cakes and crumbly pies... this is your stove.

What's More

You can “tall order” our other 5kW oven stoves as well, the Hungry Eco and the Fat Eco.

The Plans



The Tech Details

W = Wood SF = Smokeless Fuel

Nominal Output	W 4.7kW	SF 4.8kW
Efficiency	W 81.2%	SF 87%
Particulates @ 13% O ₂	W 33mg/m ³	SF 12mg/m ³
Width 460mm	Depth 365mm	Height 1008mm
Internal Oven Dimension		
Width 250mm	Depth 220mm	Height 200mm
Multi-Fuel	Yes	
Smoke Control Kit Provided	Yes (pre-fitted)	
Optional Direct Air Kit available	Yes	
Colours Available	Yes	
Max Log Length x average diameter	270mm x 100mm	
Flue Collar Diameter	127mm	
Flue Size Required	Min 125mm	
Top Exit	Standard	
Rear Exit	Fit flue collar to rear	
*Distance To Combustibles With Insulated Flue		
Side 250mm	Rear 250mm	Above 450mm
*Distance To Non Combustibles		
Side 100mm	Rear 50mm	Above 150mm
Hearth Type No Base Heat Shield/Plinth	Constructional	
Hearth With Base Heat Shield/Plinth	12mm	
Tested to EN13240:2001 & EN13240A2:2004		



*These are minimum distances, be aware that there are other considerations eg. access for sweeping, height of kettle



IT'S A TALL ORDER

The Chubby 5 Eco

Penguin Llond Eu Crwyn 5 Eco

Five kW of chubby loveliness.

If you appreciate the tight athleticism of the Short Penguin but crave the heartiness of a rugby player, then this is the stove for you.

This stove has the same fire box as the Short Penguin but it has grown in height and girth. The Chubby has an integral plinth which gives it the additional height and side convector panels which give it the extra width. This penguin has a big belly and big heart to match.

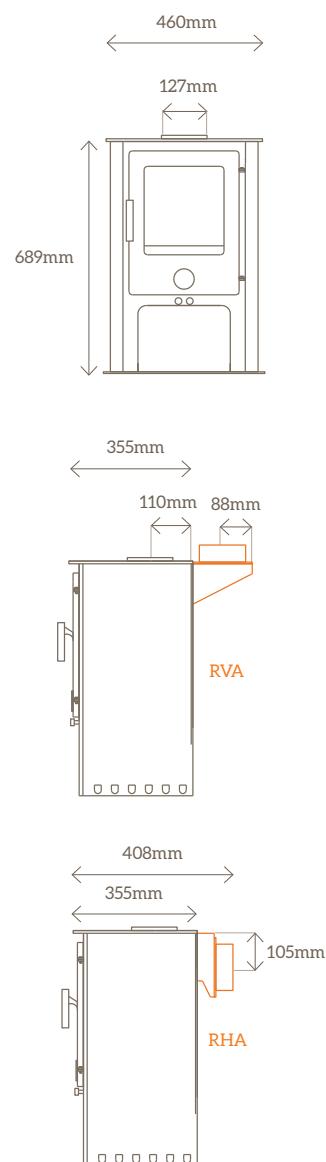


The Tech Details

	W = Wood	SF = Smokeless Fuel
Nominal Output	4.8kW	4.9kW
Efficiency	80.6%	80.4%
Particulates @ 13% O2	36mg/m ³	15mg/m ³
Width 460mm	Depth 355mm	Height 689mm
Multi-Fuel	Yes	
Smoke Control Kit Provided	Yes (pre-fitted)	
Optional Direct Air Kit available	Yes	
Colours Available	Yes	
Max Log Length x average diameter	270mm x 100mm	
Flue Collar Diameter	127mm	
Flue Size Required	Min 125mm	
Top Exit	Standard	
Rear Exit	Rear Horizontal (RHA)/Vertical Adaptor (RVA) Required	
*Distance To Combustibles With Insulated Flue	Side 250mm	Rear 200mm Above 450mm
*Distance To Non Combustibles	Side 100mm	Rear 50mm Above 150mm
Hearth Type No Base Heat Shield/Plinth	Constructional	
Hearth With Base Heat Shield/Plinth	12mm	
Tested to EN13240:2001 & EN13240A2:2004		
*These are minimum distances, be aware that there are other considerations eg. access for sweeping, height of kettle		



The Plans



CHUNKY MONKEY...



The Woody

Dim ond Woody

The slim stove with big world views.

If you've got a big space in your life then Woody is the one for you, generously proportioned, incredibly efficient and quietly, modestly, magnificent. The 5 kW Woody is the most efficient stove in our range reaching a remarkable 87% efficiency on smokeless fuel and 82% on wood. Woody is also our slimmest stove and has a landscape window offering a really generous view of the fire.



What's More

The size of the firebox allows for a longer length of log than our other 5kw stoves and makes it ideal for a shallow fireplace recess. It has the same clean burn technology and air wash system as all our stoves.

There are two Ecodesign versions of the Woody available based on this original design, see the following pages.

Penguin Facts

Fuel

Wood must be seasoned (left for at least one year after cutting) and dry (less than 20% moisture). Solid fuel must state that it is suitable for a closed appliance. Do not burn house coal on a stove.



The Tech Details

W = Wood SF = Smokeless Fuel

Nominal Output	W 5kW	SF 5kW
Efficiency	W 82%	SF 87%
Width 565mm	Depth 338mm	Height 560mm
Multi-Fuel	Yes	
Smoke Control Kit Provided	Yes (not fitted)	
Optional Direct Air Kit available	Yes	
Colours Available	Yes	
Max Log Length x average diameter	430mm x 100mm	
Flue Collar Diameter	127mm	
Flue Size Required	Min 125mm	



87% EFFICIENT, 100% FABULOUS

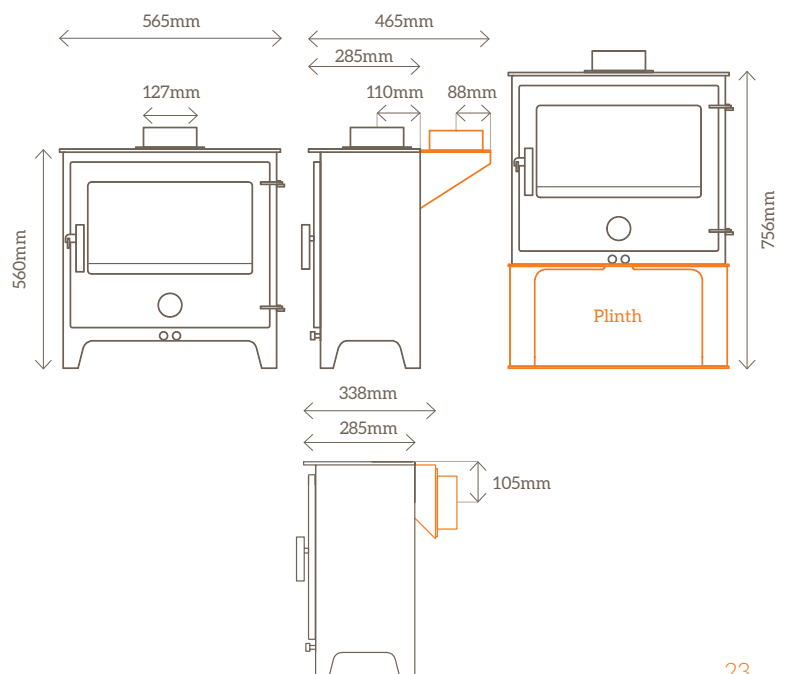
The Tech Details

Top Exit	Standard	
Rear Exit		
Rear Horizontal (RHA)/Vertical Adaptor (RVA) Required		
*Distance To Combustibles		
Side 400mm	Rear 350mm	Above 550mm
*Distance To Non Combustibles		
Side 100mm	Rear 50mm	Above 150mm
Hearth Type No Base Heat Shield/Plinth	Constructional	
Hearth With Base Heat Shield/Plinth	12mm	
Tested to EN13240:2001 & EN13240A2:2004		

*These are minimum distances, be aware that there are other considerations eg. access for sweeping, height of kettle



The Plans



Call: 01758 721 247

Woody Eco (Cat) wood only

Dim ond Woody Eco (Cat) pren yn unig

Brave, innovative, environmentally aware, a quiet revolutionary.

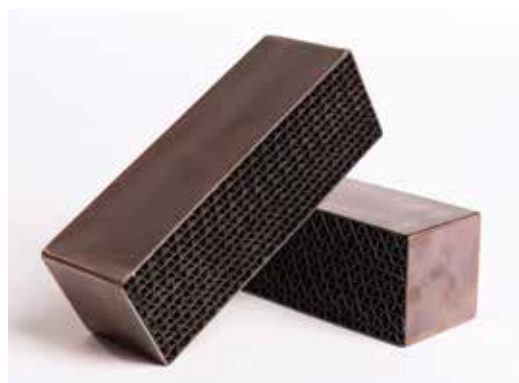
If you want to burn solely wood, then this version of Woody is the one for you. In addition to all of the Ecodesign features of our multi fuel stoves, this stove uses catalytic converter technology. It is the cleanest, greenest stove that we make. The Woody Eco (Cat) is 83% efficient and has a particulate emission figure that is 75% lower than the figure required by Ecodesign standard, thanks to the catalytic converter technology.

Penguin Facts

The secondary heat retaining glazing with air wash and the landscape window offer a clear, generous view of the fire. It also has the newly designed Chilli Penguin handle.

Catalytic Converter

The catalytic converters (Cat) are a honeycomb structure that has a special coating that chemically converts harmful gases and superheats to burn off smoke particles. It can be seen glowing orange when functioning. The usual life expectancy of a cat is 3-5 years, depending on usage. They are placed in a removable cassette for ease of access.



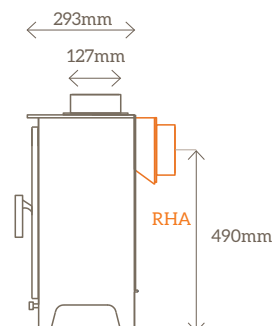
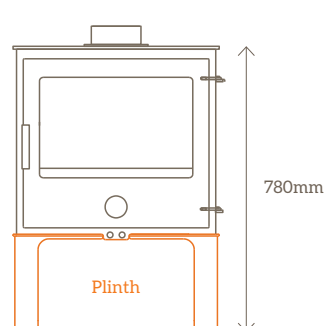
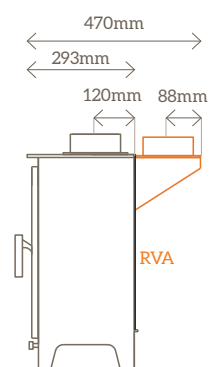
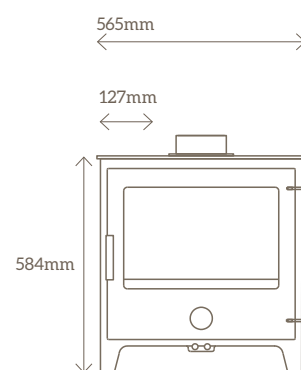
The Tech Details

Nominal Output	5kW	
Efficiency	83.3%	
Particulates @ 13% O2	11mg/m ³	
Width 565mm	Depth 293mm	Height 584mm
Fuel	Wood Only	
Smoke Control Kit Provided	Yes (pre-fitted)	
Optional Direct Air Kit available	Yes	
Colours Available	Yes	
Max Log Length x average diameter	430mm x 100mm	
Flue Collar Diameter	127mm	
Flue Size Required	Min 125mm	
Top Exit	Standard	
Rear Exit		
Rear Horizontal (RHA)/Vertical Adaptor (RVA) Required		
*Distance To Combustibles With Insulated Flue		
Side 400mm	Rear 150mm	Above 550mm
*Distance To Non Combustibles		
Side 100mm	Rear 50mm	Above 150mm
Hearth Type No Base Heat Shield/Plinth	Constructional	
Hearth With Base Heat Shield/Plinth	12mm	
Tested to EN13240:2001 & EN13240A2:2004		

*These are minimum distances, be aware that there are other considerations eg. access for sweeping, height of kettle



The Plans





AN EVOLUTIONARY REVOLUTIONARY



Woody Eco (Multi Fuel)

Dim ond Woody Eco (Aml Danwydd)

The slim eco stove with big world views and a captivating dual nature.

If you want to burn both wood and solid fuel, then this multi fuel version of Woody is the one for you. This stove allows you to reduce emissions and breath cleaner air but to have the choice of the fuel that you choose. Like its eco brother it is generously proportioned, yet slim, efficient, clean burning and quietly, modestly, magnificent.

What's More

To achieve lower emissions this penguin uses a combination of three features. Secondary heat retaining glazing is used so that the fire box stays hotter. Re-designed combustion air nozzles diffuse the incoming oxygen, allowing for a more complete combustion. Lastly the flow of air going toward the flue is interrupted, which increases the dwell time in the fire chamber, again contributing to more complete combustion.

Penguin Facts

Woody Eco (Multi Fuel) is 83% efficient on wood and 87% efficient on anthracite, with similar particulate emissions, well within the 2022 Ecodesign requirements.

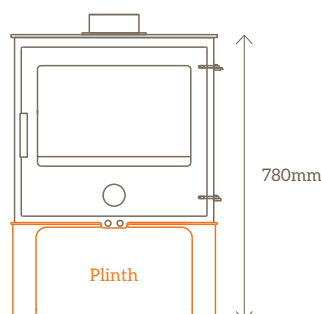
Like its eco brother, this stove also has secondary heat retaining glazing, with air wash and a landscape view of the fire. It also has the new Chill Penguin handle.



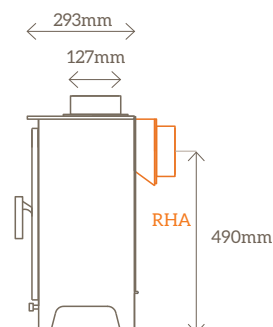
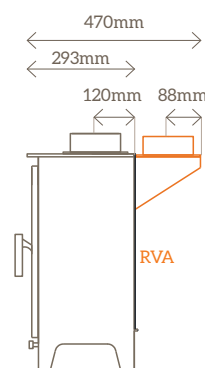
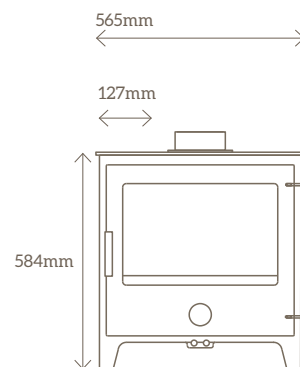
The Tech Details

Nominal Output	W 4.8kW	SF 5kW
Efficiency	W 82.7%	SF 87.4%
Particulates @ 13% O2	W 20mg/m ³	SF 16mg/m ³
Width 565mm	Depth 293mm	Height 584mm
Multi-Fuel	Yes	
Smoke Control Kit Provided	Yes (pre-fitted)	
Optional Direct Air Kit available	Yes	
Colours Available	Yes	
Max Log Length x average diameter	270mm x 100mm	
Flue Collar Diameter	127mm	
Flue Size Required	Min 125mm	
Top Exit	Standard	
Rear Exit	Standard	
Rear Horizontal (RHA)/Vertical Adaptor (RVA) Required	Standard	
*Distance To Combustibles With Insulated Flue		
Side 400mm	Rear 150mm	Above 550mm
*Distance To Non Combustibles		
Side 100mm	Rear 50mm	Above 150mm
Hearth Type No Base Heat Shield/Plinth	Constructional	
Hearth With Base Heat Shield/Plinth	12mm	
Tested to EN13240:2001 & EN13240A2:2004		

*These are minimum distances, be aware that there are other considerations eg. access for sweeping, height of kettle



The Plans





CWTC UP WITH A PENGUIN

The Penguin 8

Penguin Wyth

The big boy of the penguin family, cool, classic, contemporary.

This is 8kW of warm, glowing, chilli-hot, heat. The generous clear glass window offers you a huge uninterrupted view of the fire and it has the added benefit of taking large logs. Sleek in black, delicious in almond, sublime in charcoal.



What's More

The Penguin 8 has an 8kW output with a large glass window. It uses the Chilli Penguin clean burn and air wash system, giving a lovely clear view of the fire and high efficiencies. Like all our domestic stoves the Penguin 8 is very controllable.

Penguin Facts

Air controls

The penguin disc on the front of the stove is an air boost disc, it is designed to balance open as the fire establishes, then swing down. It should be free swinging. The primary and secondary air control knobs can be used to achieve the burn that you want and be adjusted for the fuel type.



The Tech Details

	W = Wood	SF = Smokeless Fuel
Nominal Output	8kW	8kW
Efficiency	81%	71%
Width 570mm	Depth 355mm	Height 590mm
Height With Plinth	811mm	
Multi-Fuel	Yes	
Smoke Control Kit Included	Yes (not fitted)	
Optional Direct Air Kit available	Yes	
Colours Available	Yes	
Max Log Length	430mm	
Flue Collar Diameter	127mm	
Flue Size Required	150mm (6")	
Flue Size Required With Smoke Control Kit	min 125mm (5")	

AWESOMELY SIMPLE, SIMPLY AWESOME.



The Tech Details

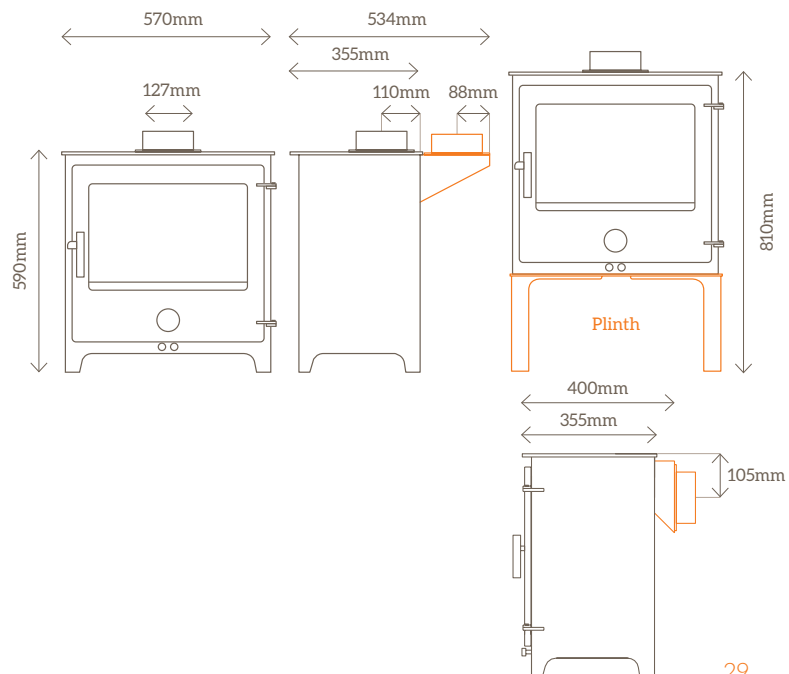
Top Exit	Standard	
Rear Exit	Rear Horizontal (RHA)/Vertical Adaptor (RVA) Required	
Optional Boiler (non pressurised systems)	3kW	
<i>Not tested for use in smoke control areas</i>		
*Distance To Combustibles		
Side 350mm	Rear 350mm	Above 550mm
*Distance To Non Combustibles		
Side 100mm	Rear 50mm	Above 150mm
Hearth Type	No Base Heat Shield/Plinth	Constructional
Hearth With Base Heat Shield/Plinth	12mm	
Tested to EN13240:2001 & EN13240A2:2004		

*These are minimum distances, be aware that there are other considerations eg. access for sweeping, height of kettle



Call: 01758 721 247

The Plans



The Eighty Ate “88”

Penguin Wyth Deg Wyth

Big boy, Big oven, Big love. This penguin is the love child of the Penguin 8 and the Hungry Penguin.

What doesn't it have? It gives you heat, it gives you food, it gives you hot drinks, it has somewhere to store your logs and it's got a glorious big window to watch your fire burning. When the world disappoints you, it will be waiting for you at home. This penguin will work for it's living: it can multi task, it's strong, it's hot, it's got muscle and it cooks. If you love this penguin it will love you back.

The “88” is an 8kW stove with an oven box on the top and an integral plinth underneath. There are convection panels on both sides. There is an optional stainless steel top plate. There is a model available without the plinth: the “88 Shorty”.



The Tech Details W = Wood SF = Smokeless Fuel

Nominal Output	W 8kW	SF 8kW
Efficiency	W 81%	SF 71%
Width 650mm	Depth 355mm	Height 1115mm
Height No Plinth		885mm
Internal Oven Dimension		
Width 440mm	Depth 223mm	Height 210mm
Multi-Fuel	Yes	
Smoke Control Kit Included	Yes (not fitted)	
Optional Direct Air Kit available	Yes	
Colours Available	Yes	
Max Log Length	430mm	
Flue Collar Diameter	127mm	
Flue Size Required	150mm (6")	
Flue Size Required With Smoke Control Kit	min 125mm (5")	



DEFRA approved for smokeless zones

defra
Department for Environment, Food and Rural Affairs

WOOD

SMOKELESS

A+ ENERGY EFFICIENCY

BIG LOVE.

The Tech Details

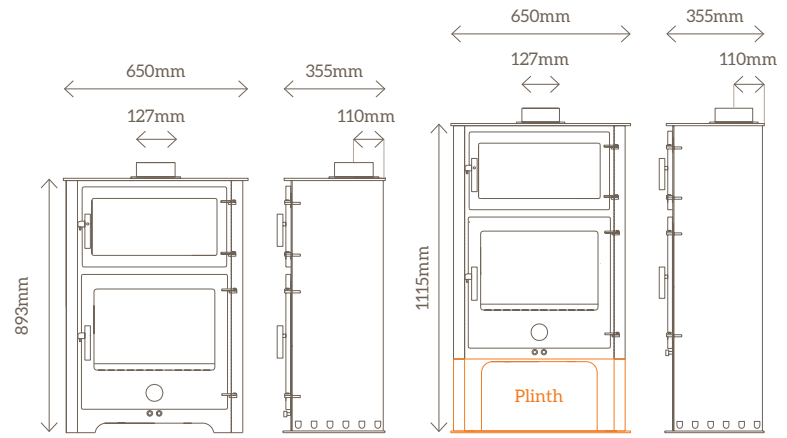
Top Exit	Standard	
Rear Exit	Removable Plate	
Optional Boiler (non pressurised systems)	3kW	
<i>Not tested for use in smoke control areas</i>		
*Distance To Combustibles		
Side 350mm	Rear 350mm	Above 550mm
*Distance To Non Combustibles		
Side 100mm	Rear 50mm	Above 150mm
Hearth Type with Integral Plinth	12mm	
Hearth Type with No Plinth	Constructional	
Tested to EN13240:2001 & EN13240A2:2004		

*These are minimum distances, be aware that there are other considerations eg. access for sweeping, height of kettle



Call: 01758 721 247

The Plans



The Chubby 8

Penguin Llond Eu Crwyn 8

Eight kW of chubby loveliness.

When we fell in love with the Chubby 5 we thought that there could be no other... but we have a new guilty pleasure, the Chubby 8. This gives out 8 kW of chilli hot heat like the Penguin 8 but with more to love; extra chubbiness with the side convector panels and extra height to balance it up and store your logs underneath.



The Tech Details W = Wood SF = Smokeless Fuel

Nominal Output	W 8kW	SF 8kW
Efficiency	W 81%	SF 71%
Width 650mm	Depth 355mm	Height 810mm
Multi-Fuel		Yes
Smoke Control Kit Included		Yes (not fitted)
Optional Direct Air Kit available		Yes
Colours Available		Yes
Max Log Length		430mm
Flue Collar Diameter		127mm
Flue Size Required		150mm (6")
Flue Size Required With Smoke Control Kit		min 125mm (5")



THE CHUBSTER



The Tech Details

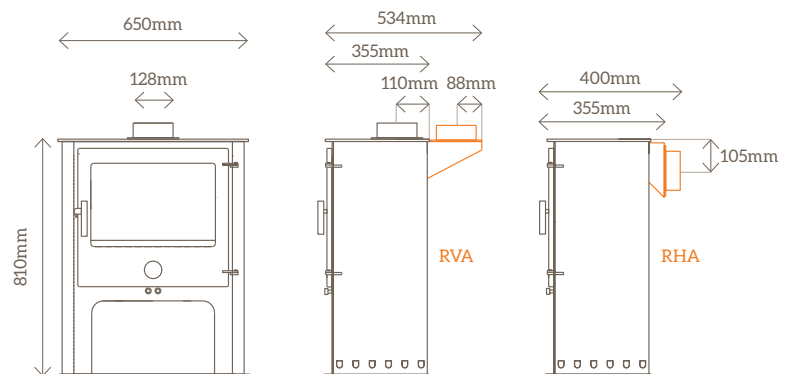
Top Exit	Standard	
Rear Exit	Rear Horizontal (RHA)/Vertical Adaptor (RVA) Required	
Optional Boiler (non pressurised systems)	3kW	
<i>Not tested for use in smoke control areas</i>		
*Distance To Combustibles		
Side 350mm	Rear 350mm	Above 550mm
*Distance To Non Combustibles		
Side 100mm	Rear 50mm	Above 150mm
Hearth Type	No Base Heat Shield/Plinth	Constructional
Hearth With Base Heat Shield/Plinth	12mm	
Tested to EN13240:2001 & EN13240A2:2004		

*These are minimum distances, be aware that there are other considerations eg. access for sweeping, height of kettle



Call: **01758 721 247**

The Plans





Penguin Products

SPARES AND ACCESSORIES



COOL PENGUIN STUFF



CANAL BOAT FLUE



For more products
ask your stockist or
see our website.

www.chillipenguin.co.uk



Your FAQs



What is Ecodesign?

It is a new clean air standard which comes into effect on 1 Jan 2022. All stoves sold after that date need to comply with this.

What size stove will my room need?

The basic sum is height x width x depth (in metres) of room divided by 14 = kW output requirements. This is a guideline only, assuming an average room, achieving an inside temp of 20°C when 0°C outside.

What is air wash?

It is the system where preheated air is channelled towards the back of the glass, creating a cushion of air, preventing the glass from blackening. The controls must be correctly used and only the right fuels burnt to achieve the full effect. All Chilli Penguin Stoves have a very effective air wash system.

What is clean burn? (sometimes called secondary and tertiary burning?)

Additional air is introduced into the firebox above the fuel in order to burn volatile gases. These gases would otherwise be released into the atmosphere where they are harmful, effectively you are burning more 'cleanly'. The additional benefit is that it burns more efficiently, using less fuel to produce more heat. All our domestic stoves utilise clean burn technology offering a very effective clean burn system and very high efficiencies.

What fuel can I burn in a multi fuel stove?

Either seasoned/ kiln dried wood or smokeless fuels recommended for closed appliances.

DO NOT USE HOUSE COAL.

What is seasoned wood?

Wood with a moisture content of less than 20%, usually wood that has been felled, split and stored for at least one year. Typically about 60% of the weight of freshly cut wood is water. A 1kg log of fresh wood will contain about a tea mug's worth of water. Not only will damp wood not burn well it will tar up your stove and chimney. (www.soliftec.com)

How can I insure my stove is safely installed?

In order to certify your stove installation you will either need a HETAS qualified fitter or have your installation inspected by your local building control dept. Always fit smoke and CO detectors. This is now a legal requirement. (www.hetas.co.uk) The rules in Scotland and Northern Ireland are slightly different, but installations should comply with hetas guidelines and our installation instructions.

How do I know my stove is safe?

Our stoves are tested to the EN13240. Some of the range are DEFRA tested so they can be burned in smoke control zones (www.uksmokecontrolareas.co.uk)

Which size flue will I need?

The flue collar on all models (except the Chilli Billie) is 127mm. The flue size required is 150mm unless using a Smoke Control Kit.

Will my glass remain clear?

It will require no more than a weekly clean if:

- The air controls are used effectively
- The correct dry fuel is used

Which colours are chilli penguin stoves available in?

All the stove models are painted with a high temperature stove paint. This can be cleaned with a soft brush and touched up if necessary. Colours available in the options below.

Actual colours may vary due to print process, please take this as an indication only.

BEWARE of new friends post penguin (pp) they may well be visiting the penguin, not you... we're just saying...think about it.



Charred Red



Evergreen



Polar Bear Belly



Storm Blue



Seal Grey



Penguin Black

Chilli Penguin Stoves 7 Year Guarantee Available on Registration

This extended guarantee is offered if stoves are purchased and registered through your local approved Chilli Penguin stockist. The bodies, doors, grates and stainless steel handles of all our stoves with the exception of the Chilli Billie are guaranteed for 7 years. The stoves must have been installed and maintained as laid out in the instruction manual. In addition they must be certified by either a HETAS* installer or your local building control dept.

Catalytic converters carry a 3 year guarantee.

For full details see instruction manual and online *With the exception of Scotland and Northern Ireland



The Chilli Billie 5 Year Guarantee Available on Registration

This extended guarantee is offered if stoves are purchased and registered through your local approved Chilli Penguin stockist. The bodies and doors of The Chilli Billie are guaranteed for 5 years. The stoves must have been installed and maintained as laid out in the instruction manual. In addition they must be certified by either a HETAS* installer or your local building control dept.

For full details see instruction manual and online *With the exception of Scotland and Northern Ireland





CHILLI PENGUIN STOVES

 Sales and Technical Support
Call: 01758 721 247

 stoves@chillipenguin.co.uk

 Local Stockists
www.chillipenguin/contact

 Chilli Penguin Workshop
11 Glan y Don Industrial Estate | Pwllheli | Gwynedd LL53 5YT.

Follow Us:    

www.chillipenguin.co.uk

Location, Photography & Design:
www.lovelavenderhouse.co.uk www.euronjonesphotography.com
www.hide.wales www.shutterstock.com
www.bbphoto.net www.martdesign.net



I have loved being in your home. Can you return me to the stove shop when you have finished with me... I have more love to give to give X

REDUCE | REUSE | RECYCLE