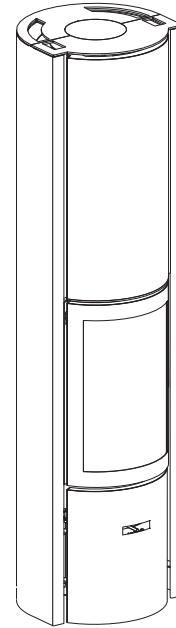


30-compact H | The stove

stuv

3 doors	glass door, closed-door, open fire
combustion chamber	compact
control of the fire	precision control of combustion air
air-tightness	control over the distribution of combustion air; sweeping of the glass, no consumption of room air; no CO in the living room
excellent efficiency	even at half-power
low pollutant levels	low emission of CO and fine particles even at half-power
economical	low wood consumption
for traditional, energy-efficient and wood-framed homes	✓
150-mm smoke outlet	at back or above
accumulation of heat	optional



TECHNICAL SPECIFICATIONS

GENERAL

TYPE OF SYSTEM	stove
MATERIALS	steel + cast iron
COLOUR	Stuv grey
LOADING	manual
FUEL	wood
POSITION OF LOGS	vertical
LENGTH OF LOGS	40 cm

WEIGHT / DIMENSIONS

WEIGHT WITHOUT MASS	124 kg
WEIGHT WITH MASS	275 kg
Ø OF SMOKE DUCT	150 mm
Ø HOT-AIR OUTLETS	-
Ø OUTSIDE AIR INLET	63 mm

AIR

DIRECT OUTSIDE INLET	✓
CONTROL OF PRIMARY AIR	✓
CONTROL OF SECONDARY AIR	✓
POST-COMBUSTION	✓
AIR-TIGHTNESS	+++
OPERATION WITHOUT FAN	✓
OVERHEATING INDICATOR	X

PERFORMANCE

OUTPUT	6 kW
USAGE RANGE	3-9 kW
EFFICIENCY	> 80%
CO EMISSIONS	< 0,09%
FINE PARTICLE EMISSIONS	18 mg/Nm ³
RANGE OF WOOD CONSUMPTION	0,8 - 2,3 kg/h
MINIMUM DRAW	12 Pa
SMOKE MASS FLOW	4,9 g/s
AVERAGE SMOKE TEMPERATURE	302°C
CONSUMPTION OF ROOM AIR FOR COMBUSTION	13,8 m ³ /h
ENERGY EFFICIENCY INDEX (EEI)	108
ENERGY EFFICIENCY CLASS	A+

MIN. THICKNESS OF INSULATION BETWEEN STOVE AND COMBUSTIBLE MATERIALS

BACK FACE	10 cm
SIDE FACE	10 cm
UPPER FACE	-
INSIDE FACE	0 cm

ACCESSORIES / EQUIPMENT

ACCUMULATION	○
CUPBOARD	X
BARBECUE	○
ASH-TRAY	✓
CONVECTION	✓
FAÇADE	X
OPEN FIRE	✓
MOBILOBOX	○
GROUND PLATE	○
READY-TO-FIT	X
LOG RACK	○
ROTARY FUNCTION	✓
BASE	X
FAN	X
RETRACTABLE GLASS	X

LEGEND

✓	STANDARD
X	UNAVAILABLE
○	OPTIONAL

according to:

- Art. 15A B-VG (AT) - BE Phase 1, 2 & 3
- OPair (CH) - BImSchV1 & 2 (DE)

Le label du chauffage au bois



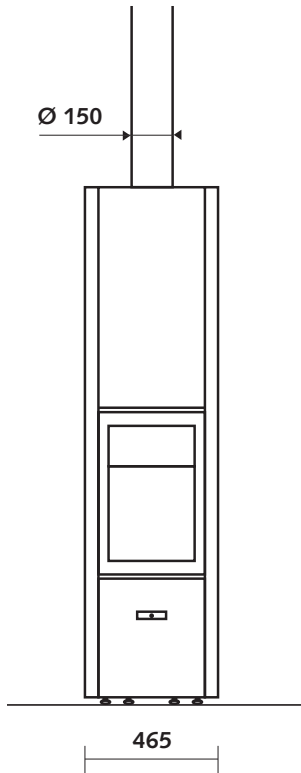
in accordance with

30-compact H | The stove

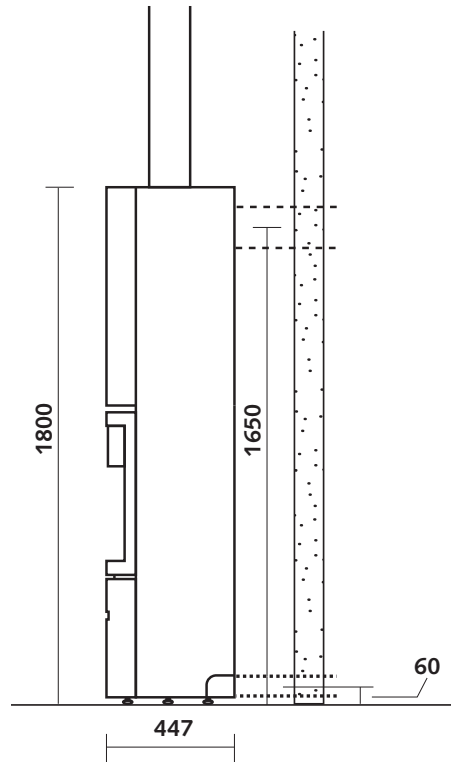


DIMENSIONS OF THE STOVE

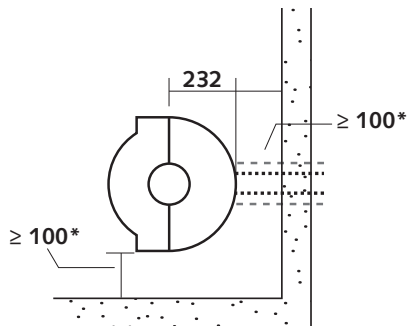
VIEW OF FRONT



VIEW OF PROFILE

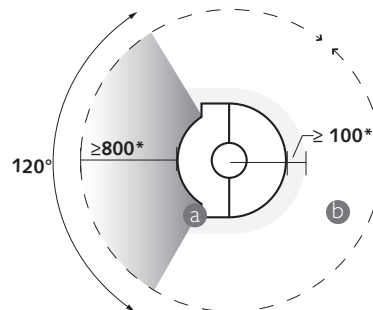


VIEW FROM ABOVE



*Safety distances from combustible materials.

SAFETY DISTANCES

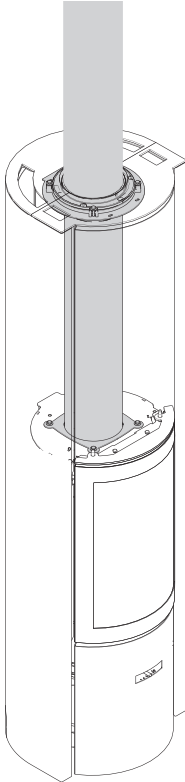


a: Heat radiated from the glass
b: Heat radiated from the walls

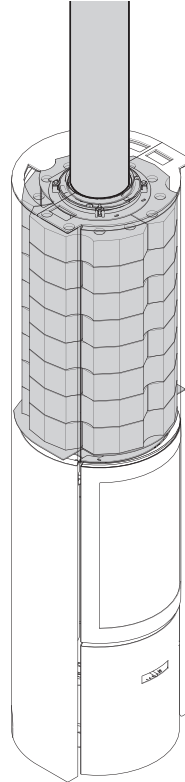
30-compact H | 4 configurations



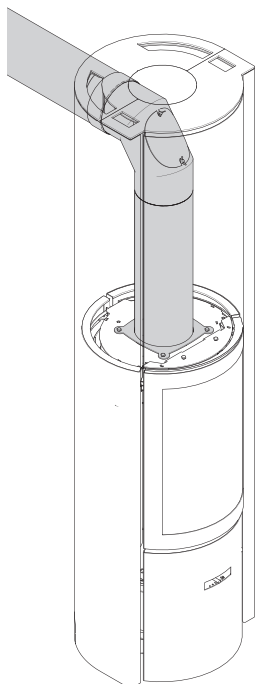
WITH OUTLET ABOVE WITHOUT ACCUMULATION KIT



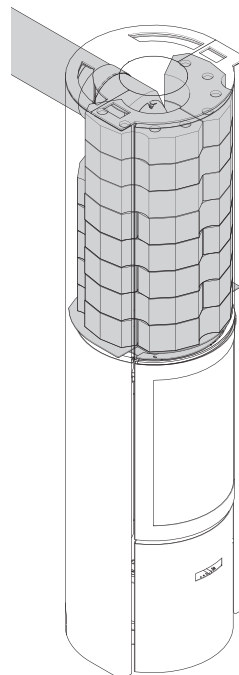
WITH OUTLET ABOVE AND ACCUMULATION KIT



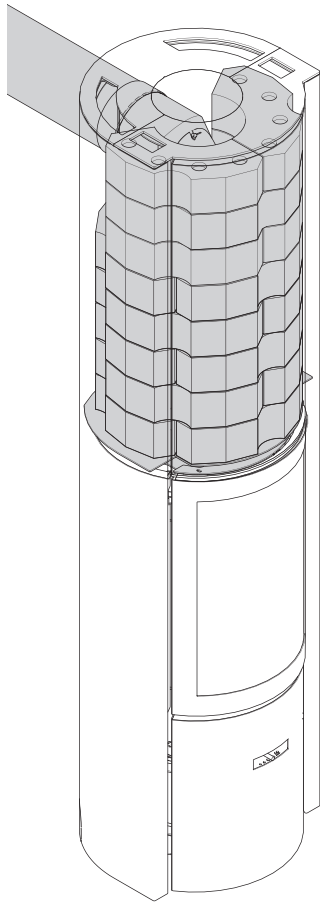
WITH BACK OUTLET WITHOUT ACCUMULATION KIT



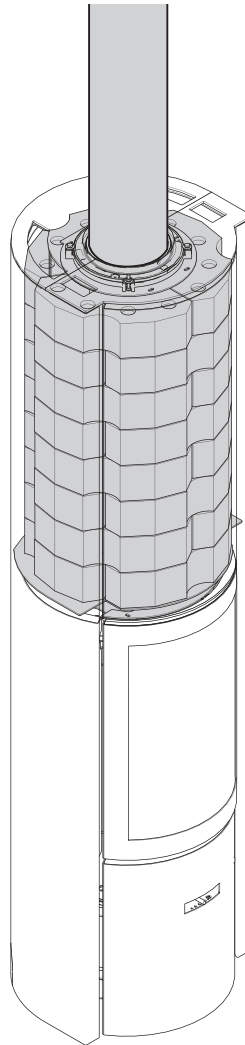
WITH BACK OUTLET AND ACCUMULATION KIT



30-compact H + accumulation option



With rear outlet



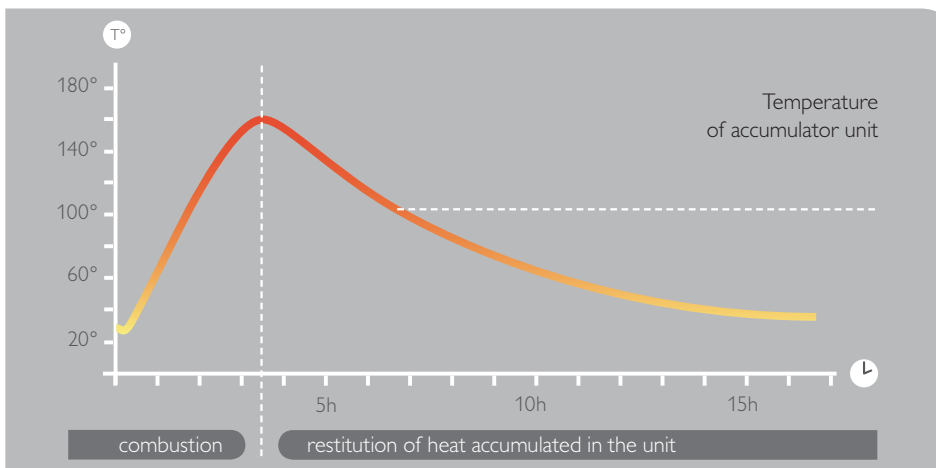
With upper outlet

Heat is radiated for up to 8 hours after the fire has died out

Ideal for wood-framed homes

Weight of accumulator unit:
151 kg

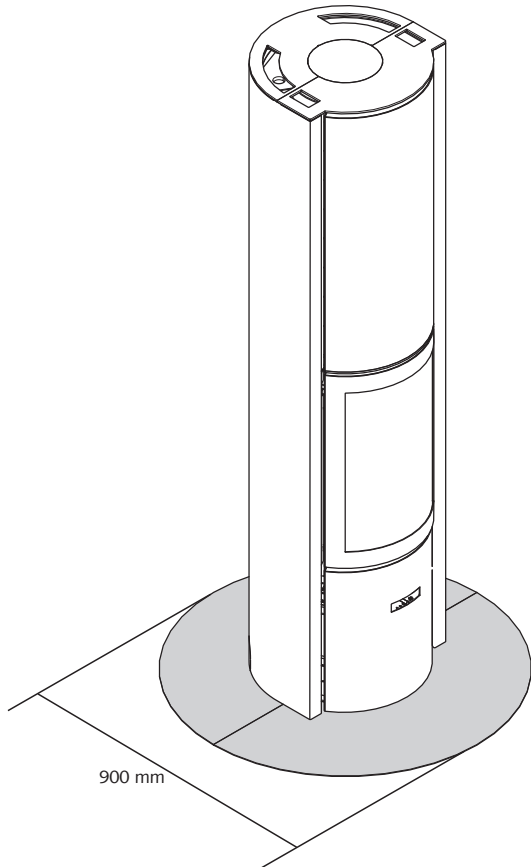
TEMPERATURE CURVE GRAPHIC



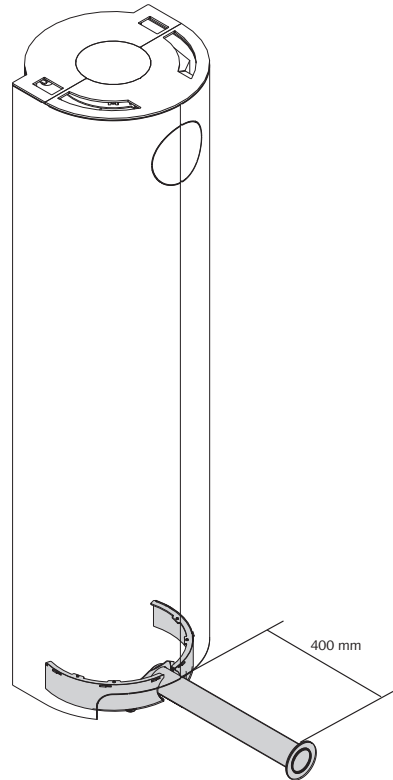
30-compact H + accessories



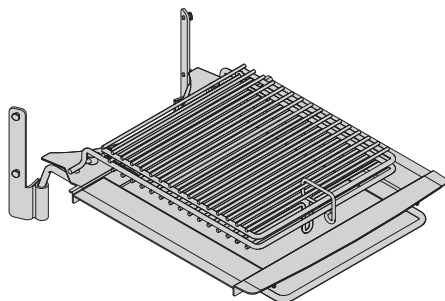
WITH GROUND PLATE



AIR INLET KIT



BARBECUE



DOOR WITH AUTOMATIC CLOSING (OPTION BAUART 1)

