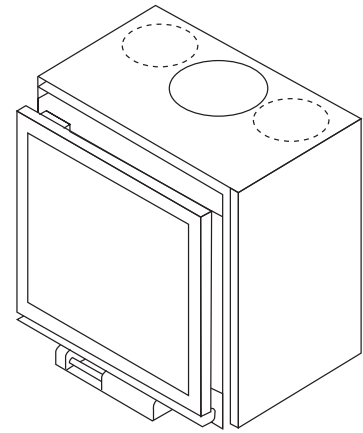


16/58-in | The stove



| | |
|---|---------------------------------------|
| appearance | compact and subtle design |
| ergonomics | accessibility to all mechanisms |
| high efficiency | |
| economical | low wood consumption |
| low pollutant levels | low emission of CO and fine particles |
| air-tightness | ++ |
| for traditional and energy-efficient homes | ✓ |



TECHNICAL SPECIFICATIONS

GENERAL

| | |
|------------------|---------------------|
| TYPE OF SYSTEM | fitted |
| MATERIALS | steel + vermiculite |
| COLOUR | Stuv grey |
| LOADING | manual |
| FUEL | wood |
| POSITION OF LOGS | horizontal |
| LENGTH OF LOGS | 40 cm |

WEIGHT / DIMENSIONS

| | |
|---------------------|--------|
| WEIGHT | 91 kg |
| Ø OF SMOKE DUCT | 180 mm |
| HOT-AIR OUTLET | front |
| Ø OUTSIDE AIR INLET | 63 mm |

PERFORMANCE

| | |
|-----------------------------------|------------------------|
| OUTPUT | 7 kW |
| USAGE RANGE | 5-8 kW |
| EFFICIENCY | 78% |
| CO EMISSIONS | 0.09% |
| FINE PARTICLE EMISSIONS | 11 mg/Nm ³ |
| RANGE OF WOOD CONSUMPTION | 1.4 - 2.3 kg/h |
| MINIMUM DRAW | 12 Pa |
| SMOKE MASS FLOW | 7 g/s |
| AVERAGE SMOKE TEMPERATURE | 283 °C |
| CONSUMPTION OF AIR FOR COMBUSTION | 18.6 m ³ /h |
| ENERGY EFFICIENCY INDEX (EEI) | 104 |
| ENERGY EFFICIENCY CLASS | A |

ACCESSORIES / EQUIPMENT

| | |
|-------------------|---|
| ACCUMULATION | X |
| CUPBOARD | X |
| BARBECUE | X |
| ASHTRAY | X |
| CONVECTION | ✓ |
| FAÇADE | X |
| OPEN FIRE | X |
| MOBILOBOX | ○ |
| GROUND PLATE | X |
| READY-TO-FIT | X |
| LOG RACK | ○ |
| ROTARY FUNCTION | X |
| BASE | X |
| FAN | ○ |
| RETRACTABLE GLASS | X |

AIR

| | |
|--------------------------|----|
| DIRECT OUTSIDE INLET | ✓ |
| CONTROL OF PRIMARY AIR | ✓ |
| CONTROL OF SECONDARY AIR | ✓ |
| POST-COMBUSTION | ✓ |
| AIR-TIGHTNESS | ++ |
| OPERATION WITHOUT FAN | ✓ |
| OVERHEATING INDICATOR | X |

MIN. THICKNESS OF INSULATION BETWEEN STOVE AND COMBUSTIBLE MATERIALS

| | |
|-------------|------|
| BACK FACE | 3 cm |
| SIDE FACE | 3 cm |
| UPPER FACE | 9 cm |
| INSIDE FACE | 0 cm |

LEGEND

| | |
|---|-------------|
| ✓ | STANDARD |
| X | UNAVAILABLE |
| ○ | OPTIONAL |

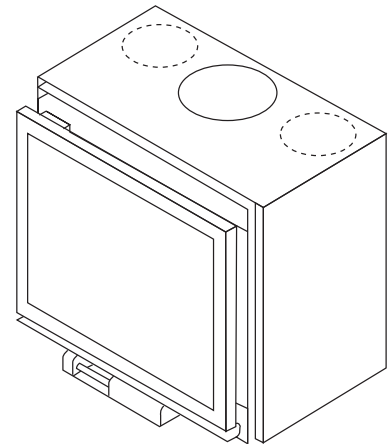
according to:
 - OPair (CH)
 - BE Phase 1,2 & 3
 - BlmSchV2 (DE)



16/68-in | The stove



| | |
|---|---------------------------------------|
| appearance | compact and subtle design |
| ergonomics | accessibility to all mechanisms |
| high efficiency | |
| economical | low wood consumption |
| low pollutant levels | low emission of CO and fine particles |
| air-tightness | ++ |
| for traditional and energy-efficient homes | ✓ |



TECHNICAL SPECIFICATIONS

GENERAL

| | |
|------------------|-------------|
| TYPE OF SYSTEM | fitted |
| MATERIALS | vermiculite |
| COLOUR | Stuv grey |
| LOADING | manual |
| FUEL | wood |
| POSITION OF LOGS | horizontal |
| LENGTH OF LOGS | 50 cm |

WEIGHT / DIMENSIONS

| | |
|---------------------|--------|
| WEIGHT | 102 kg |
| Ø OF SMOKE DUCT | 180 mm |
| HOT-AIR OUTLET | front |
| Ø OUTSIDE AIR INLET | 63 mm |

PERFORMANCE

| | |
|-----------------------------------|------------------------|
| OUTPUT | 7.5 kW |
| USAGE RANGE | 5-9 kW |
| EFFICIENCY | 77% |
| CO EMISSIONS | 0.10% |
| FINE PARTICLE EMISSIONS | 19 mg/Nm ³ |
| RANGE OF WOOD CONSUMPTION | 1.5 - 2.6 kg/h |
| MINIMUM DRAW | 12 Pa |
| SMOKE MASS FLOW | 7.9 g/s |
| AVERAGE SMOKE TEMPERATURE | 301 °C |
| CONSUMPTION OF AIR FOR COMBUSTION | 20.8 m ³ /h |
| ENERGY EFFICIENCY INDEX (EEI) | 103 |
| ENERGY EFFICIENCY CLASS | A |

ACCESSORIES / EQUIPMENT

| | |
|-------------------|---|
| ACCUMULATION | X |
| CUPBOARD | X |
| BARBECUE | X |
| ASHTRAY | X |
| CONVECTION | ✓ |
| FAÇADE | X |
| OPEN FIRE | X |
| MOBILOBOX | ○ |
| GROUND PLATE | X |
| READY-TO-FIT | X |
| LOG RACK | ○ |
| ROTARY FUNCTION | X |
| BASE | X |
| FAN | ○ |
| RETRACTABLE GLASS | X |

AIR

| | |
|--------------------------|----|
| DIRECT OUTSIDE INLET | ✓ |
| CONTROL OF PRIMARY AIR | ✓ |
| CONTROL OF SECONDARY AIR | ✓ |
| POST-COMBUSTION | ✓ |
| AIR-TIGHTNESS | ++ |
| OPERATION WITHOUT FAN | ✓ |
| OVERHEATING INDICATOR | X |

MIN. THICKNESS OF INSULATION BETWEEN STOVE AND COMBUSTIBLE MATERIALS

| | |
|-------------|------|
| BACK FACE | 3 cm |
| SIDE FACE | 3 cm |
| UPPER FACE | 9 cm |
| INSIDE FACE | 0 cm |

LEGEND

| | |
|---|-------------|
| ✓ | STANDARD |
| X | UNAVAILABLE |
| ○ | OPTIONAL |

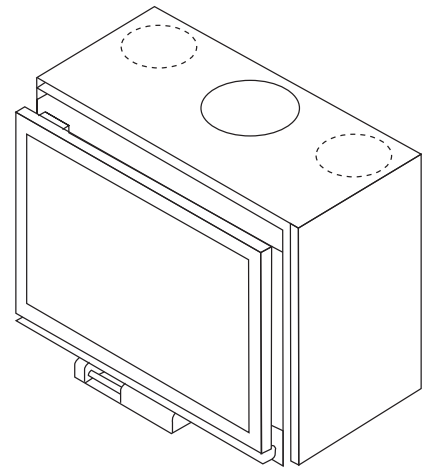
according to:
 - OPair (CH)
 - BE Phase 1,2 & 3
 - BlmSchV2 (DE)



16/78-in | The stove



| | |
|---|---------------------------------------|
| appearance | compact and subtle design |
| ergonomics | accessibility to all mechanisms |
| high efficiency | |
| economical | low wood consumption |
| low pollutant levels | low emission of CO and fine particles |
| air-tightness | ++ |
| for traditional and energy-efficient homes | ✓ |



TECHNICAL SPECIFICATIONS

GENERAL

| | |
|------------------|---------------------|
| TYPE OF SYSTEM | fitted |
| MATERIALS | steel + vermiculite |
| COLOUR | Stuv grey |
| LOADING | manual |
| FUEL | wood |
| POSITION OF LOGS | horizontal |
| LENGTH OF LOGS | 60 cm |

WEIGHT / DIMENSIONS

| | |
|---------------------|--------|
| WEIGHT | 112 kg |
| Ø OF SMOKE DUCT | 180 mm |
| HOT-AIR OUTLET | front |
| Ø OUTSIDE AIR INLET | 63 mm |

PERFORMANCE

| | |
|-----------------------------------|------------------------|
| OUTPUT | 8 kW |
| USAGE RANGE | 6-10 kW |
| EFFICIENCY | 75% |
| CO EMISSIONS | 0,09% |
| FINE PARTICLE EMISSIONS | 13 mg/Nm ³ |
| RANGE OF WOOD CONSUMPTION | 1.8 - 3.0 kg/h |
| MINIMUM DRAW | 12 Pa |
| SMOKE MASS FLOW | 8.8 g/s |
| AVERAGE SMOKE TEMPERATURE | 318 °C |
| CONSUMPTION OF AIR FOR COMBUSTION | 23,5 m ³ /h |
| ENERGY EFFICIENCY INDEX (EEI) | 100 |
| ENERGY EFFICIENCY CLASS | A |

ACCESSORIES / EQUIPMENT

| | |
|-------------------|---|
| ACCUMULATION | X |
| CUPBOARD | X |
| BARBECUE | X |
| ASHTRAY | X |
| CONVECTION | ✓ |
| FAÇADE | X |
| OPEN FIRE | X |
| MOBILOBOX | ○ |
| GROUND PLATE | X |
| READY-TO-FIT | X |
| LOG RACK | ○ |
| ROTARY FUNCTION | X |
| BASE | X |
| FAN | ○ |
| RETRACTABLE GLASS | X |

AIR

| | |
|--------------------------|----|
| DIRECT OUTSIDE INLET | ✓ |
| CONTROL OF PRIMARY AIR | ✓ |
| CONTROL OF SECONDARY AIR | ✓ |
| POST-COMBUSTION | ✓ |
| AIR-TIGHTNESS | ++ |
| OPERATION WITHOUT FAN | ✓ |
| OVERHEATING INDICATOR | X |

MIN. THICKNESS OF INSULATION BETWEEN STOVE AND COMBUSTIBLE MATERIALS

| | |
|-------------|-------|
| BACK FACE | 9 cm |
| SIDE FACE | 10 cm |
| UPPER FACE | 9 cm |
| INSIDE FACE | 0 cm |

LEGEND

| | |
|---|-------------|
| ✓ | STANDARD |
| X | UNAVAILABLE |
| ○ | OPTIONAL |

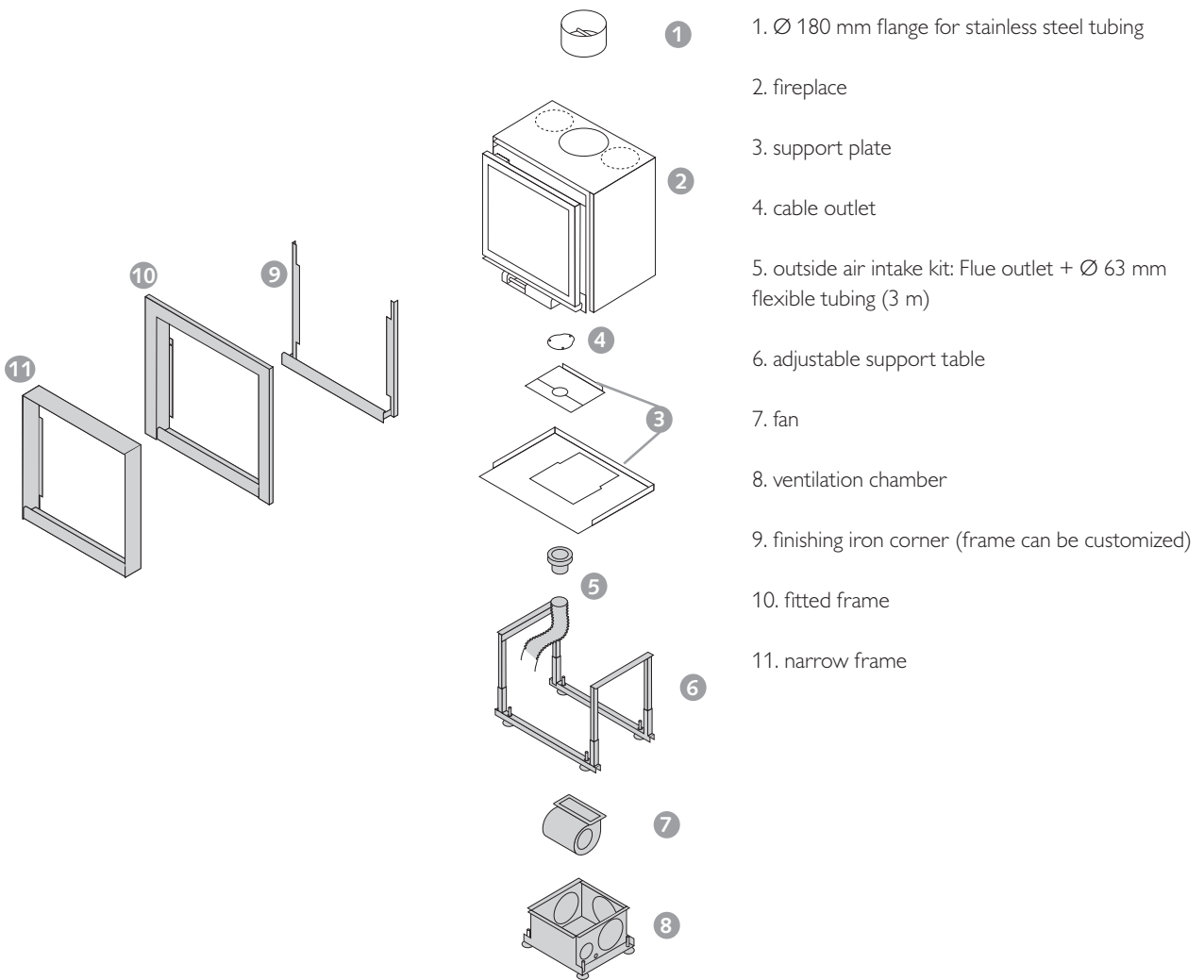
according to:
 - OPair (CH)
 - BE Phase 1,2 & 3
 - BlmSchV2 (DE)



16-in | The stove

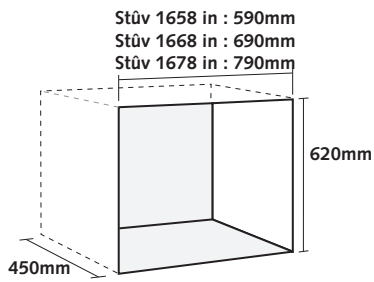


THE BASIC STOVE AND ITS OPTIONAL FEATURES

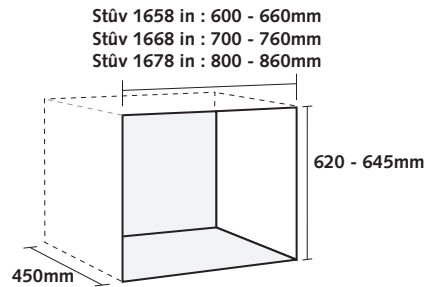


DIMENSIONS OF THE RECESS

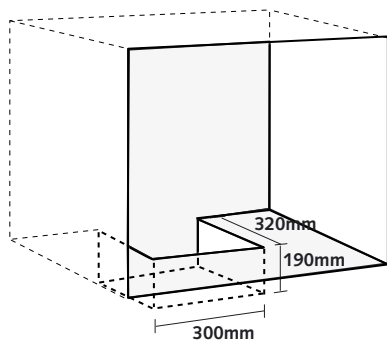
FOR STOVES WITH NARROW FRAMES



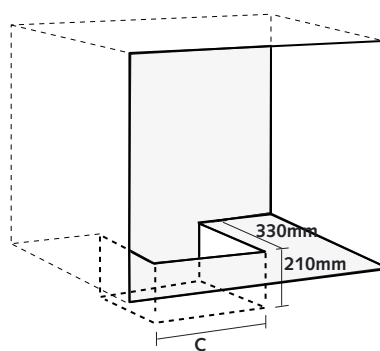
FOR STOVES WITH FITTED FRAMES



SPACE FOR THE FAN



SPACE FOR THE VENTILATION CHAMBER



Stův 15/58-in: C = 350mm

Stův 15/68-in: C = 550mm

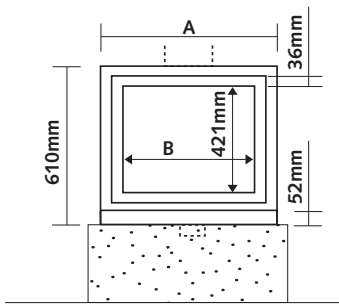
Stův 15/78-in: C = 550mm

16-in | The stove

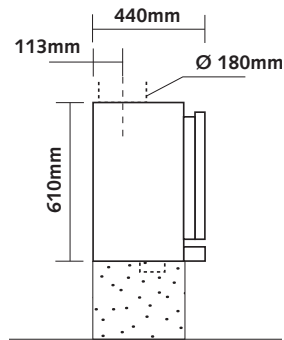


DIMENSIONS OF THE STOVE WITHOUT TABLE

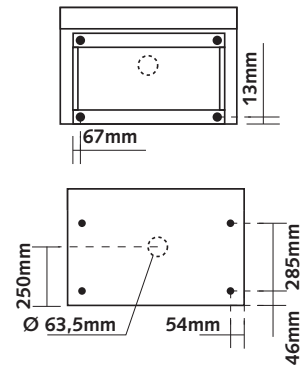
VIEW FROM FRONT



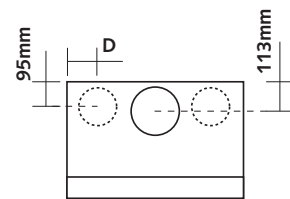
VIEW FROM BELOW



VIEW FROM ABOVE

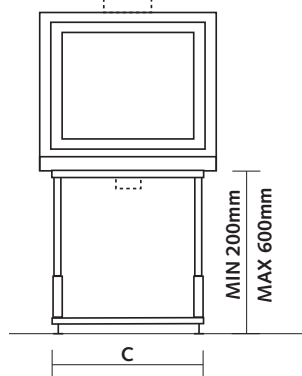


VIEW FROM BEHIND

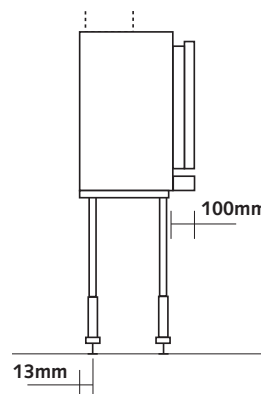


DIMENSIONS OF THE STOVE WITH TABLE SUPPORT

VIEW FROM FRONT



VIEW FROM BELOW

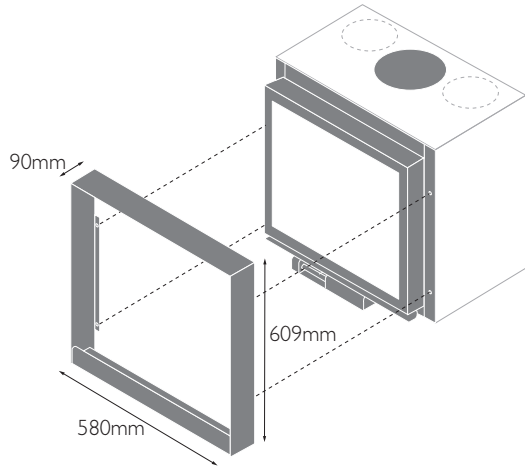


| DIMENSIONS | A | B | C | D |
|------------|-----|-----|-----|-----|
| 16/58-in | 580 | 448 | 570 | 105 |
| 16/68-in | 680 | 548 | 670 | 130 |
| 16/78-in | 780 | 648 | 770 | 130 |

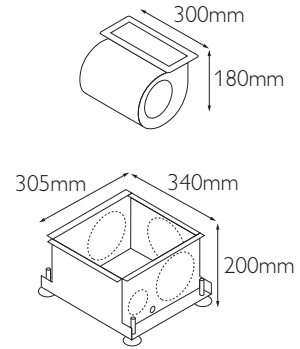
16/58-in | Accessories



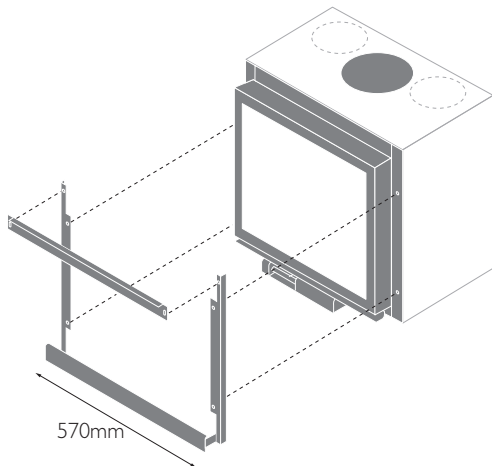
STUV 16/58-IN + NARROW FRAME



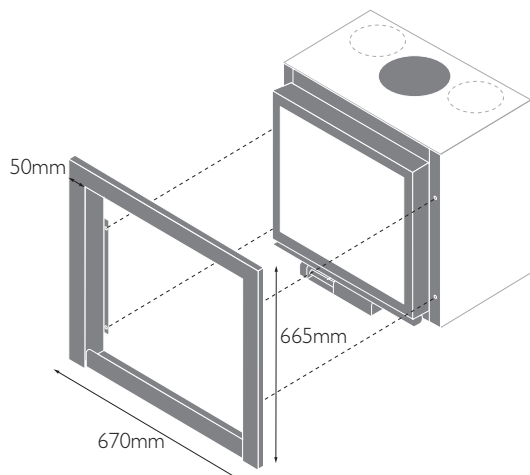
16/58-IN FAN KIT (FAN + VENTILATION CHAMBER)



STUV 16/58-IN + FINISHING IRON CORNER



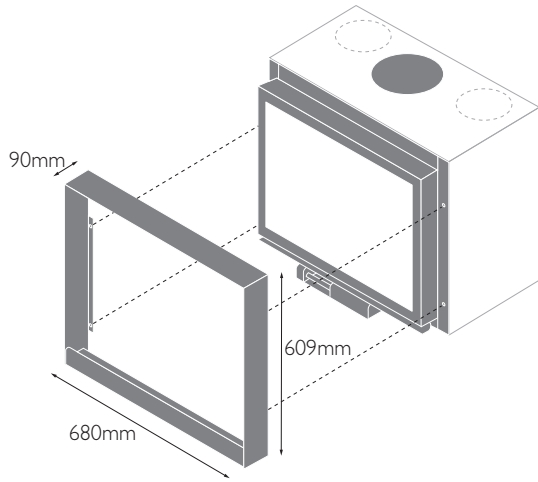
STUV 16/58-IN + FITTED FRAME



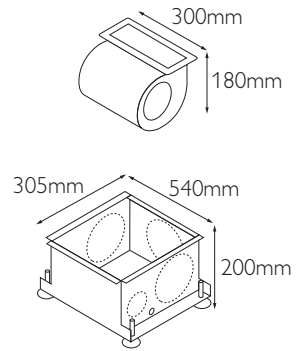
16/68-in | Accessories



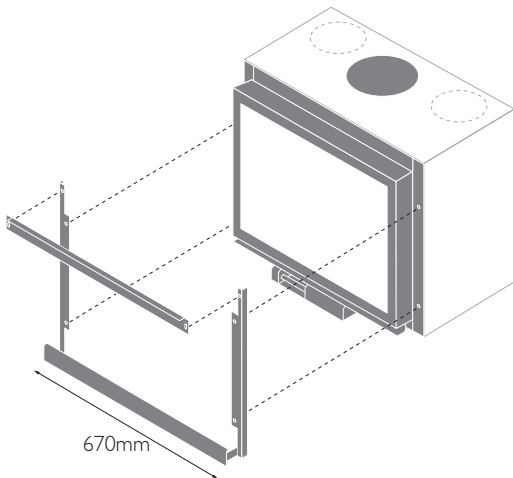
STUV 16/68-IN + NARROW FRAME



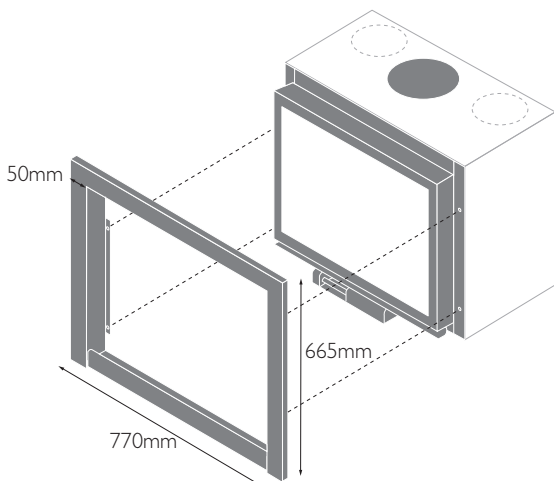
16/68-IN FAN KIT (FAN + VENTILATION CHAMBER)



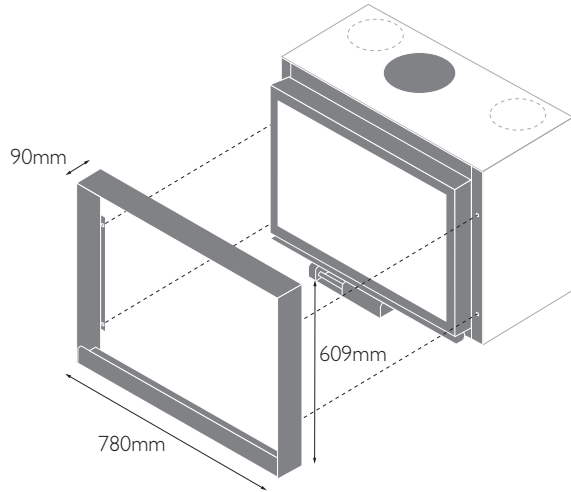
STUV 16/68-IN + FINISHING IRON CORNER



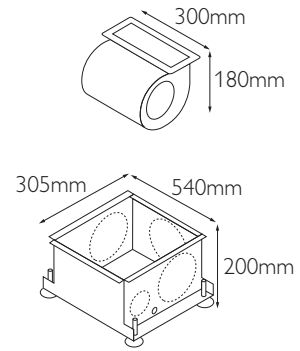
STUV 16/68-IN + FITTED FRAME



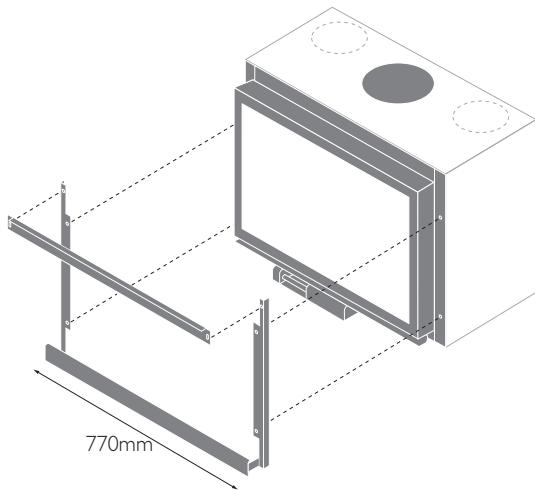
STUV 16/78-IN + NARROW FRAME



16/78-IN FAN KIT (FAN + VENTILATION CHAMBER)



STUV 16/78-IN + FINISHING IRON CORNER



STUV 16/78-IN + FITTED FRAME

