

RAIS RINA SPECIFICATION SHEET

NOMINAL OUTPUT: 4.6kW (Min 2kW Max 6kW)

FUEL TYPE: Any dry wood based fuel

APPLIANCE TYPE: Dry system

DEFRA Smoke Control Exempt: YES

HETAS APPROVED: YES

FLUE SIZE: 150mm

ORDERING LEAD TIMES: Stock or up to 4 weeks.

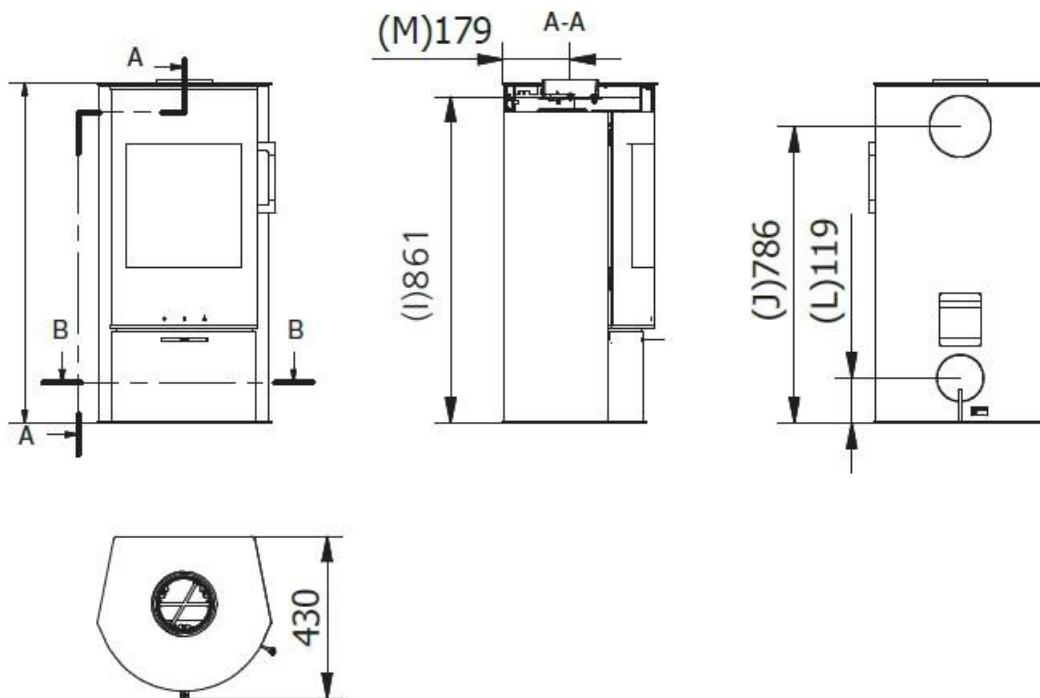
Dimensions: Rais Rina

Height 902 mm

Width 464mm

Depth 410mm

Weight 105kg



Dimensions: Rais Rina Soapstone

Height 969 mm

Width 469mm

Depth 429mm

Weight 212k

