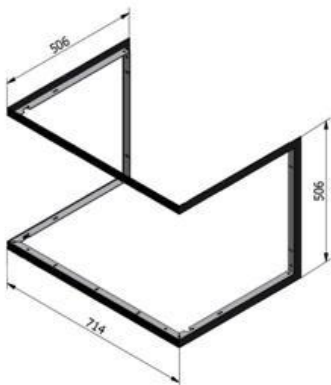
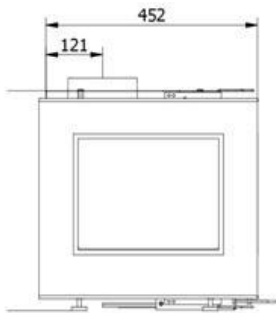
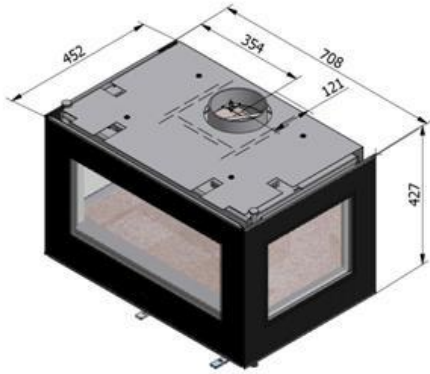


## RAIS 500-2 INSET SPECIFICATION SHEET



RAIS 500 Glass



RAIS 500 Steel

Measurements (w-d-h)  
External dimensions 708-452-470 mm  
Flue exit (diameter)  $\varnothing$ 150 mm  
Output  
Nominal output 6 kw  
Min-max output 4-8 kw  
Efficiency 79 %  
Weight 110 kg

NOMINAL OUTPUT: 6kW (Min 4kW Max 8kW)  
GROSS EFFICIENCY: 72.8% (80% Nett)

FUEL TYPE: Any dry wood based fuel  
APPLIANCE TYPE: Dry system  
DEFRA Smoke Control Exempt: YES  
HETAS APPROVED: YES  
AREA HEATED @ -1°C: 85m<sup>3</sup> (3060 FT<sup>3</sup>) Approx.  
FLUE SIZE: 150mm