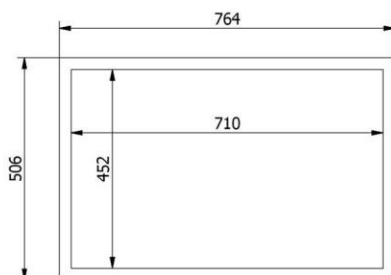
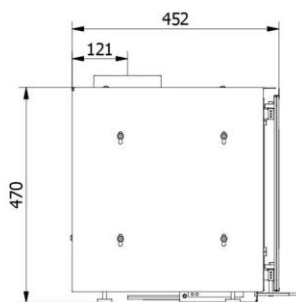
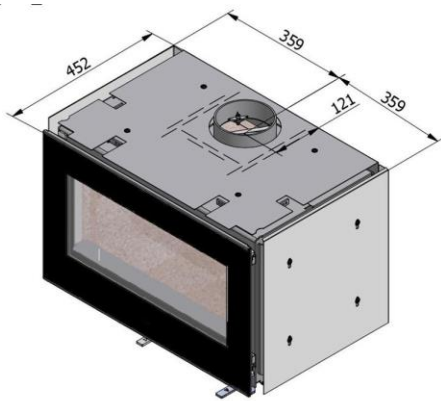


RAIS 500-1 INSET SPECIFICATION SHEET



RAIS 500 w/glass door



RAIS 500 w/steel door with glass

Measurements (w-d-h)

External dimensions 718-452-470 mm

Flue exit (diameter) \varnothing 150 mm

Output

Nominal output 6 kw

Min-max output 4-8 kw

Efficiency 79 %

Weight 110 kg

NOMINAL OUTPUT: 6kW (Min 4kW Max 8kW)

GROSS EFFICIENCY: 72.8% (80% Nett)

FUEL TYPE: Any dry wood based fuel

APPLIANCE TYPE: Dry system

DEFRA Smoke Control Exempt: YES

HETAS APPROVED: YES

AREA HEATED @ -1°C: 85m³ (3060 FT³) Approx.
FLUE SIZE: 150mm